



A TEREX BRAND

Parts Manual

Serial Number Range

S-120

from SN S12011D-101

S-125

from SN S12511D-101

Part No. 226125

Rev A13

January 2015

Technical Publications

Genie has endeavored to deliver the highest degree of accuracy possible. However, continuous improvement of our products is a Genie policy. Therefore, product specifications are subject to change without notice.

Readers are encouraged to notify Genie of errors and send in suggestions for improvement. All communications will be carefully considered for future printings of this and all other manuals.

Contact Us:


<http://www.genielift.com>

e-mail: awp.techpub@terex.com

Copyright © 2011 Terex Corporation

226125 Rev A August 2011
First Edition, First Printing

Genie is a registered trademark of Terex South Dakota in the USA and many other countries. "S" is a trademark of Terex South Dakota, Inc.

 Printed on recycled paper



A TEREX BRAND

Model: S120
Serial number: S12011D-0101
Model year: 2011 **Manufacture date:** 01/05/11
Electrical schematic number: ES0427
Machine unladen weight:

Rated work load (including occupants): 500 lb / 227 kg
Maximum number of platform occupants: 2
Maximum allowable side force : 150 lb / 670 N
Maximum allowable inclination of the chassis: 0 deg

Maximum wind speed : 28 mph/ 12.5 m/s
Maximum platform height : 126 ft/ 38.6 m
Maximum platform reach : 75ft/ 22.9 m

Gradeability: N/A
Country of manufacture: China
This machine complies with:

ANSI A92.5-
CAN B.354.4-
EN280

Terex South Dakota, Inc.
18340 NE 76th Street
Redmond, WA 98052
USA



PN - 77055

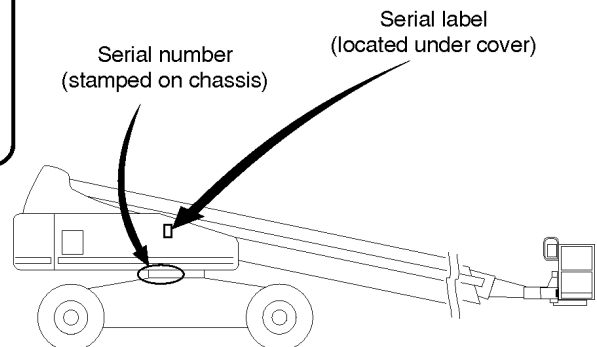
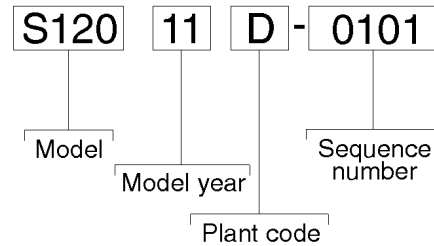


Table of Contents

This manual is updated frequently. If you have a printed manual, you can keep it up to date by downloading new figures from the Genie website at www.genielift.com. For the most up-to-date parts information, visit the Parts Lookup System on the Genie website at www.genielift.com.

How to Read Your Serial Number.....	3
Parts Stocking List.....	7
How to Order Parts.....	8
Service Parts Fax Order Form.....	9

Electronic Version

Click on any page number to view the figure.

100 Decals

101.1 Decals with Symbols, S-120.....	10
102.1 Decals with Symbols, S-125.....	12

200 Drive Chassis Components

201.1 Extendable Steer Axle Installation - View 1.....	14
202.1 Extendable Steer Axle Installation - View 2.....	16
203.1 Steer Axle Wheels and Drive Hubs.....	18
204.1 Drive Hub Assembly with Brake.....	20
205.1 Chassis Components.....	22

300 Turntable Components

301.1 Turntable Covers - Tank Side.....	24
302.1 Turntable Covers - Engine Side.....	26
303.1 Turntable Components - Tank Side.....	28
304.1 Turntable Components - Engine Side.....	30
305.1 Turntable Rotator and Hydraulic Rotary Coupler.....	32
306.1 Turntable Rotation Drive Hub.....	34
307.1 Batteries and Hydraulic Filters Installation.....	36
308.1 Fuel Tank Installation.....	40
309.1 Hydraulic Tank Installation.....	42
310.1 Ground Controls.....	44

400 Engine Components

401.1 Cummins B3.3T Engine - View 1.....	46
402.1 Cummins B3.3T Engine - View 2.....	48
403.1 Cummins Engine Attached Components.....	50
404.1 Deutz TD2011-L04i Engine - View 1.....	52
405.1 Deutz TD2011-L04i Engine - View 2.....	54
406.1 Deutz TD2011-L04i Engine - View 3.....	56
407.1 Deutz Engine Attached Components.....	60

408.1 Perkins 804D-33T Engine - View 1.....	62
409.1 Perkins 804D-33T Engine - View 2.....	66
410.1 Perkins 1104D-44T Engine - View 1.....	68
411.1 Perkins 1104D-44T Engine - View 2.....	70
412.1 Perkins 1104D-44T Engine - View 3.....	72
413.1 Perkins Engine Attached Components.....	74

500 Boom Components

501.1 Boom Lift Cylinder.....	76
502.1 Secondary Extend Cylinder.....	78
503.1 Boom Tube Zero, Cable Track.....	80
504.1 Boom Tube Zero and Boom Tube One.....	82
505.1 Primary Extend Cylinder.....	84
506.1 Boom Tube Two and Boom Tube Three.....	88
507.1 Boom Tube Two, Limit Switches.....	90
508.1 Platform Rotator, S-120.....	92
509.1 Jib Boom and Platform Rotator, S-125.....	94
510.1 Jib Detail, S-125.....	96

600 Platform Components

601.1 Platform Installation, S-120 - View 1.....	98
601.1 Platform Installation, S-125 - View 1.....	100
602.1 Platform Installation, S-120 - View 2.....	102
602.1 Platform Installation, S-125 - View 2.....	104
603.1 Platform Controls.....	106
604.1 Joysticks.....	108

700 Hydraulic Components

701.1 Traction Manifold.....	110
702.1 Steer and Axle Extend/Retract Manifold - View 1.....	112
703.1 Steer and Axle Extend/Retract Manifold - View 2.....	114
704.1 Function Manifold.....	116
705.1 Platform Manifold, S-125 (to SN S12512D-175).....	120
705.2 Platform Manifold, S-125 (from SN S12512D-176).....	122
706.1 Platform Rotate Manifold.....	124
707.1 Pumps.....	126
708.1 Hydraulic Hoses and Fittings - Drive System.....	128
709.1 Hydraulic Hoses and Fittings - Steer System.....	130
710.1 Hydraulic Hoses and Fittings - Turntable Components.....	132
711.1 Hydraulic Hoses and Fittings - Platform Leveling and Rotation, S-120.....	136
712.1 Hydraulic Hoses and Fittings - Platform Leveling and Rotation, S-125.....	138
713.1 Hydraulic Hoses and Fittings - Boom Components.....	140

800 Accessories

801.1 Alarm and Beacon Package, Driving Lights.....	142
802.1 Platform Controls Cover.....	144

803.1 Platform Overload.....146
804.1 Cold Start Package.....148
805.1 Air Line To Platform.....150
806.1 Platform Options.....152
807.1 Half-mesh and Pipe Cradle Options.....156
808.1 Panel Cradle Option.....158
809.1 Circuit Board Heater Option.....160
810.1 Hostile Environment Package - View 1.....162
811.1 Hostile Environment Package - View 2.....164
812.1 Engine Air Cleaners.....166
813.1 Operator Protection Structure.....168

Indices
Part Number Index.....170
Part Description Index.....176

Cross References
Fittings Cross Reference.....186

Required Parts

The following parts are required to perform maintenance procedures as outlined in the *Genie S-100, S-105, S-120 and S-125, Service Manuals*.

Deutz TD2011-L04i Models

Description	Part No.
Air Filter	62425
Fuel/Water Separator Filter	29560
Engine Oil Filter	49924
V-belt	58630

Cummins B3.3 C80 Models:

Description	Part No.
Air Filter (Primary)	146044
Air Filter (Secondary)	146045
Fuel Filter.....	122709
Engine Oil Filter	122708
Serpentine Belt	146047

Recommended Parts

Description	Part No.
Genie Blue Paint, 1 Gallon	32150
Genie Blue Paint, 12 Ounce Aerosol.....	1484
Genie Gray Paint, 1 Gallon	32151
Genie Gray Paint, 12 Ounce Aerosol	1268

Manuals

Genie Industries offers the following support documents for these models:

Title	Part No.
Genie S-100, S-105, S-120 and S-125 Operators Manual, CE/China	228459
Genie S-100, S-105, S-120 and S-125 Service Manual.....	102916
EMI Safety Manual	27581
Manual of Responsibilities ANSI A92.5	31779

How To Order Parts

Please be prepared with the following information when ordering replacement parts for your Terex or Genie product:

- Machine model number
- Machine serial number
- Part number
- Part description and quantity
- Purchase order number
- "Ship to" address
- Desired method of shipment
- Name and telephone number of the authorized distributor in your area

Use the Service Parts Fax Order Form on the next page and fax your order to our Parts Department.

If you don't know the name of your authorized distributor, or if your area is not currently serviced by an authorized distributor, please call Terex or Genie Industries.

Machine Information

Model

Serial Number

Date of Purchase

Authorized Genie Distributor

Phone Number

North America

Telephone (425) 556-6551
 Toll Free (877) 367-5606 in U.S.A. and Canada
 Fax (425) 556-8659
 Toll Free Fax (888) 274-6192

Europe

Parts Telephone (31) (165) 519 313
 Parts Fax (31) (165) 511 148

Australia

Parts Telephone (61) (7) 3456 4444
 Parts Fax (61) (7) 3456 4466

South America

Parts Telephone (55) (11) 4082 5600
 Parts Fax (55) (11) 4082 5630



Service Parts Fax Order Form

Fax to: (425) 556-8659 or Toll Free: 888-274-6192
International: +1-425-556-8659

Please fill out completely

Date _____ Account Number _____

Your Name _____ Your Fax Number _____

_____ Your Phone Number _____

Bill To _____ Ship To _____

Purchase Order Number _____ Ship Via _____

Model(s) _____ **Serial No.(s)** _____

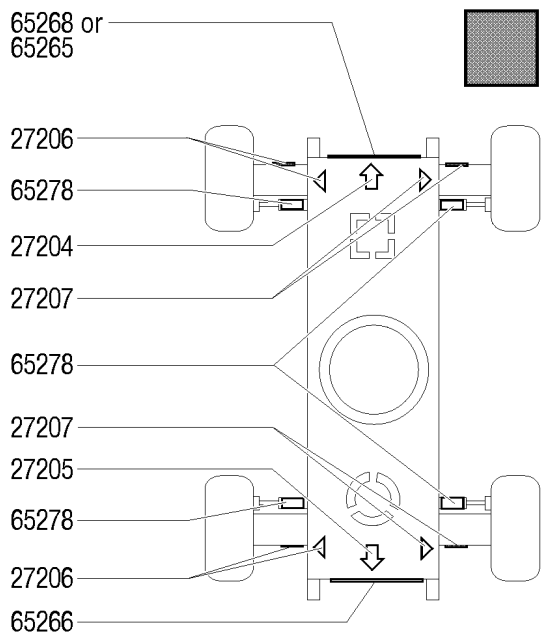
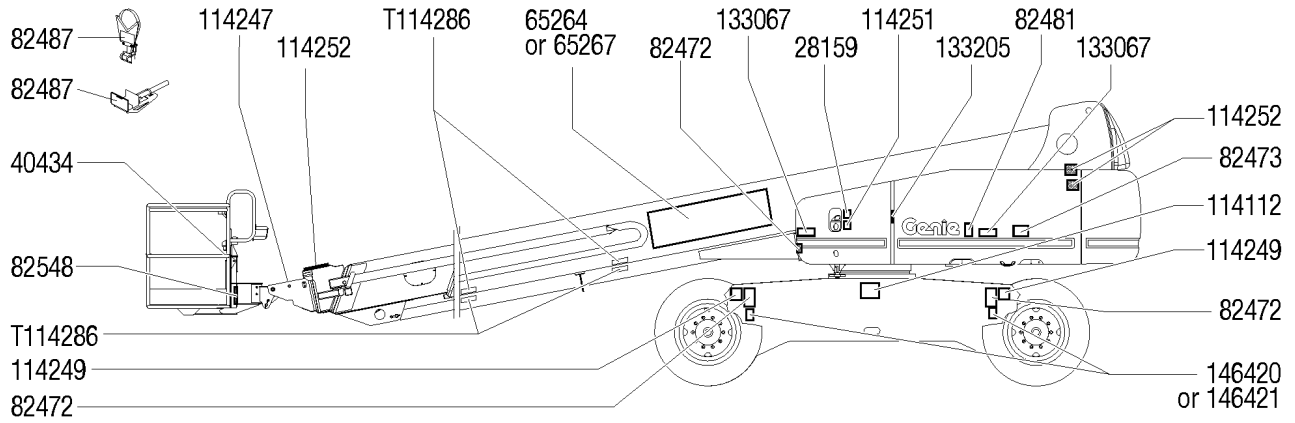
Optional Equipment _____

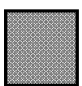
Part Number	Description	Quantity	Price

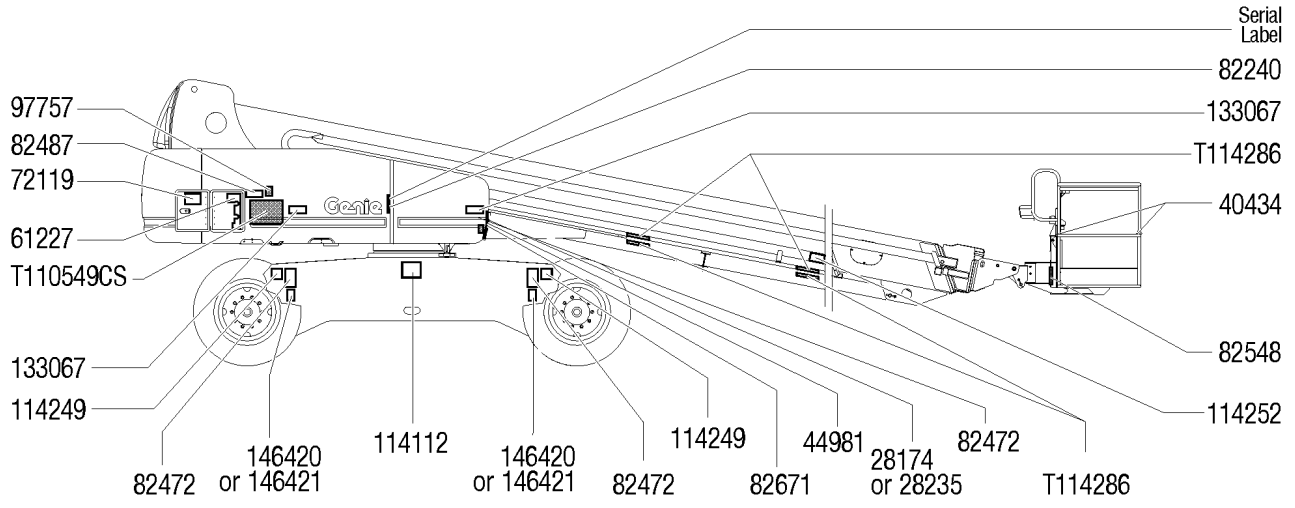
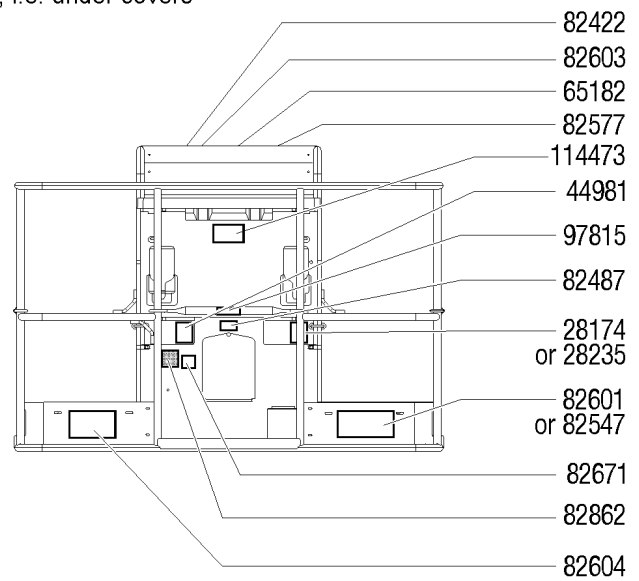
All back-ordered parts will be shipped when available via the same ship method as the original order unless Noted below:

- Ship complete order only - No back orders
- Ship all available parts and contact customer on disposition of back-ordered parts
- Other (please specify)

101.1 Decals with Symbols, S-120



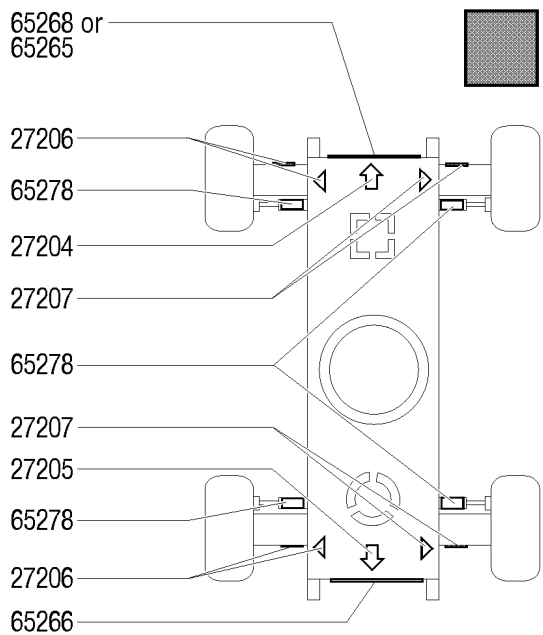
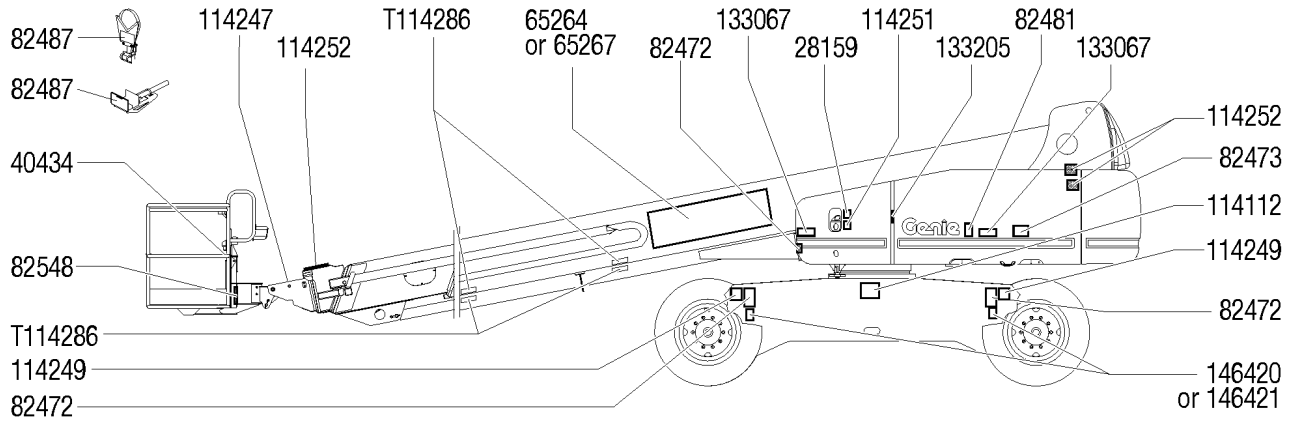
 Shading indicates decal is hidden from view, i.e. under covers

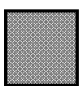


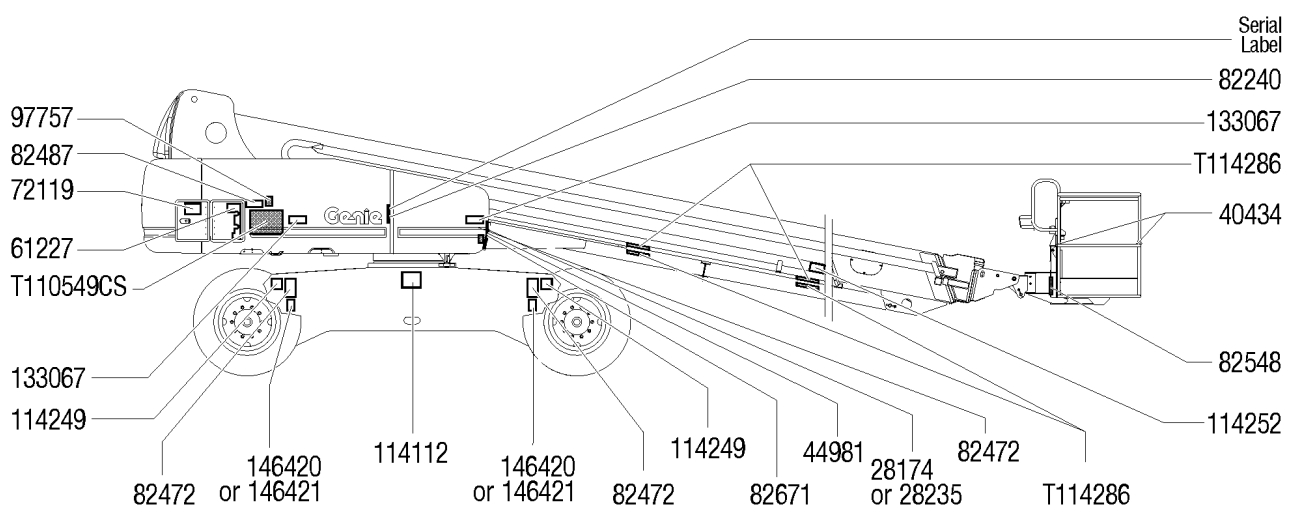
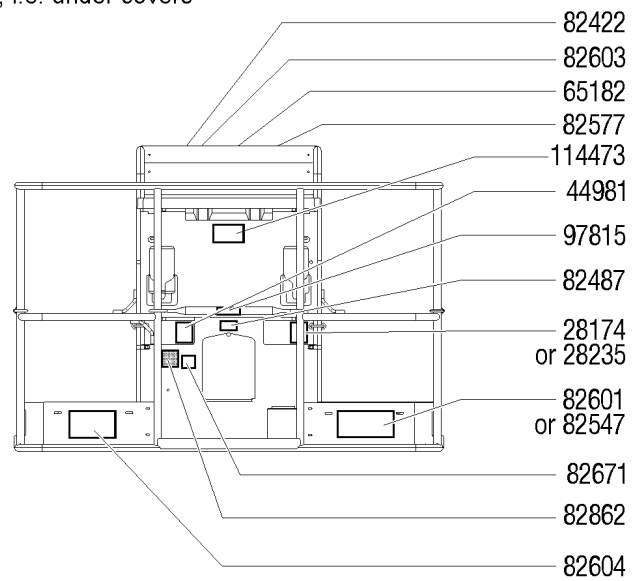
101.1 Decals with Symbols, S-120

Item	Part No.	Description	Qty.	Item	Part No.	Description	Qty.
--	T114433	S-120 CS DECALS <i>includes decals 1-42</i>		27	97815	DECAL,LABEL,LOWER MIDRAIL....1	
1	27204	DECAL,ARROW BLUE.....1	1	28	114112	DECAL,LABEL,TRANSPORT DIAGRAM.....2	2
2	27205	DECAL,ARROW YELLOW LRG 9".....1	1	29	114112	DECAL,LABEL,TRANSPORT DIAGRAM.....1	1
3	27206	DECAL,TRIANGLE,BLUE.....2	2	30	114247	DECAL,LABEL,FALL HAZARD***....1	1
4	27207	DECAL,TRIANGLE,YELLOW.....2	2	31	114249	DECAL,LABEL,TIPOVER,TIRES,SYMB.4	4
5	28159	DECAL,DIESEL.....1	1	32	114251	DECAL,LABEL,NO SMOKING,SYMB.....1	1
6	28174	DECAL,POWER TO PLATFORM 230V.....2	2	33	114252	DECAL,LABEL,TIP OVER LMT SWTCH.....3	3
7	28235	DECAL,POWER TO PLATFORM 115V.....2	2	34	114473	DECAL,DANGER,TIPOVER,TILT,SYM.1	1
8	40434	DECAL,LANYARD ANCHORAGE POINT.....2	2	35	133067	DECAL,DANGER,ELEC.HAZ.STAY CLR.....4	4
9	44981	DECAL,LABEL,AIRLINE 110 PSI....2	2	36	133205	DECAL,LABEL, ELECTRO HAZARD.....1	1
10	61227	DECAL,GROUND CONTROL PANEL.....1	1	37	T110549CS	DECAL,FAULT CODES,SB/SY.....1	1
11	65182	DECAL,PLATFORM CONTROL PANEL**.....1	1	38	T114286	DECAL.WARN,INSTAL COVER,SYM.....4	4
12	65266	DECAL,COSMETIC,4X4.....1	1	39	146420	DECAL,LABEL, WHEEL LOAD, S-120.....3	3
13	65278	DECAL,CAUTION,NO STEP.....3	3	40	82547	DECAL,DANGER,MAX LOAD 340 KG.....1	1
14	72119	DECAL,LABEL,ROM CHART 120/125.....1	1	41	65267	DECAL,COSMETIC,GENIE S-120...1	1
15	82240	DECAL,LABEL,105 DB.....1	1	42	65268	DECAL,COSMETIC,S-120.....1	1
16	82422	DECAL,PATCH,DRIVING LIGHT....1	1	43	82862	DECAL,FIRE EXTINGUISHER <i>(welder option)</i>	
17	82472	DECAL,WARNING,CRUSHING HAZARD.....6	6				
18	82473	DECAL,SYMBOL-COMP ACCESS.....1	1				
19	82481	DECAL,SYMBOL-BATTERY SAFETY.....1	1				
20	82487	DECAL,SYMBOL-READ THE MANUAL.....4	4				
21	82548	DECAL,WARN,CRUSH HAZARD PLAT.....2	2				
22	82577	DECAL,PLATFORM OVERLOAD PATCH.....1	1				
23	82603	DECAL,DRIVE ENABLE PATCH***.....1	1				
24	82604	DECAL,DANGER,SIDE FRC 400N.....1	1				
25	82671	DECAL,LABEL,WELD LINE INST,SYM.....2	2				
26	97757	DECAL,LABEL,OIL LEVEL IND.....1	1				

102.1 Decals with Symbols, S-125



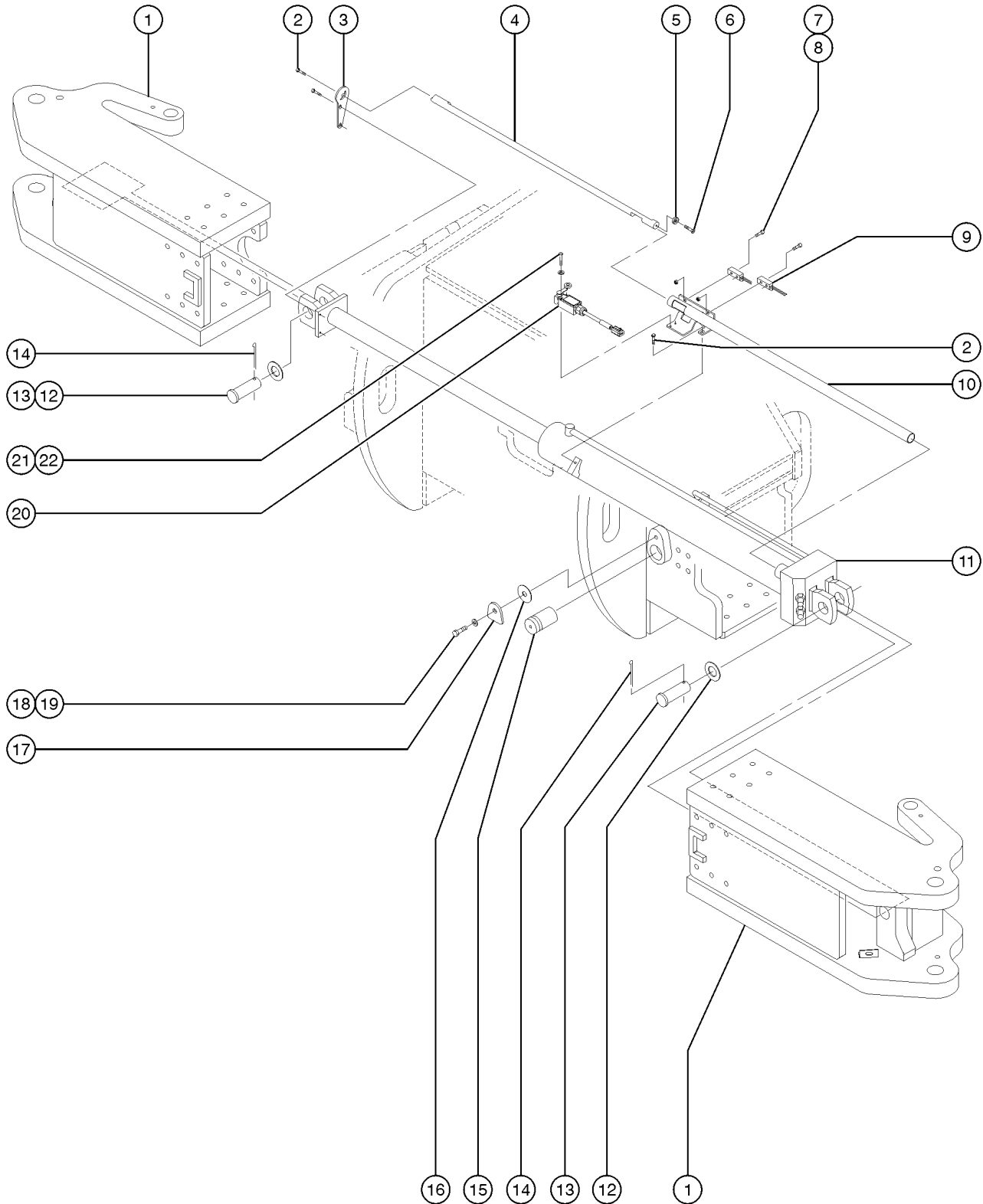
 Shading indicates decal is hidden from view, i.e. under covers



102.1 Decals with Symbols, S-125

Item	Part No.	Description	Qty.	Item	Part No.	Description	Qty.
--	T114434	S-125 CS DECALS <i>includes decals 1-42</i>		27	97815	DECAL,LABEL,LOWER MIDRAIL....1	
1	27204	DECAL,ARROW BLUE.....1	1	28	114112	DECAL,LABEL,TRANSPORT DIAGRAM.....2	2
2	27205	DECAL,ARROW YELLOW LRG 9".....1	1	29	114112	DECAL,LABEL,TRANSPORT DIAGRAM.....1	1
3	27206	DECAL,TRIANGLE,BLUE.....2	2	30	114247	DECAL,LABEL,FALL HAZARD***....1	1
4	27207	DECAL,TRIANGLE,YELLOW.....2	2	31	114249	DECAL,LABEL,TIPOVER,TIRES,SYMB.4	4
5	28159	DECAL,DIESEL.....1	1	32	114251	DECAL,LABEL,NO SMOKING,SYMB.....1	1
6	28174	DECAL,POWER TO PLATFORM 230V.....2	2	33	114252	DECAL,LABEL,TIP OVER LMT SWTCH.....3	3
7	28235	DECAL,POWER TO PLATFORM 115V.....2	2	34	114473	DECAL,DANGER,TIPOVER,TILT,SYM.1	1
8	40434	DECAL,LANYARD ANCHORAGE POINT.....2	2	35	133067	DECAL,DANGER,ELEC.HAZ.STAY CLR.....4	4
9	44981	DECAL,LABEL,AIRLINE 110 PSI....2	2	36	133205	DECAL,LABEL, ELECTRO HAZARD.....1	1
10	61227	DECAL,GROUND CONTROL PANEL.....1	1	37	T110549CS	DECAL,FAULT CODES,SB/SY.....1	1
11	65182	DECAL,PLATFORM CONTROL PANEL**.....1	1	38	T114286	DECAL.WARN,INSTAL COVER,SYM.....4	4
12	65266	DECAL,COSMETIC,4X4.....1	1	39	146421	DECAL,LABEL,WHEEL LOAD,S-125**.....3	3
13	65278	DECAL,CAUTION,NO STEP.....3	3	40	82601	DECAL,LABEL,MAX CAPACITY***.....1	1
14	72119	DECAL,LABEL,ROM CHART 120/125.....1	1	41	65264	DECAL,COSMETIC,GENIE S-125...1	1
15	82240	DECAL,LABEL,105 DB.....1	1	42	65265	DECAL,COSMETIC,S-125.....1	1
16	82422	DECAL,PATCH,DRIVING LIGHT....1	1	43	82862	DECAL,FIRE EXTINGUISHER <i>(welder option)</i>	
17	82472	DECAL,WARNING,CRUSHING HAZARD.....6	6				
18	82473	DECAL,SYMBOL-COMP ACCESS.....1	1				
19	82481	DECAL,SYMBOL-BATTERY SAFETY.....1	1				
20	82487	DECAL,SYMBOL-READ THE MANUAL.....4	4				
21	82548	DECAL,WARN,CRUSH HAZARD PLAT.....2	2				
22	82577	DECAL,PLATFORM OVERLOAD PATCH.....1	1				
23	82603	DECAL,DRIVE ENABLE PATCH***.....1	1				
24	82604	DECAL,DANGER,SIDE FRC 400N.....1	1				
25	82671	DECAL,LABEL,WELD LINE INST,SYM.....2	2				
26	97757	DECAL,LABEL,OIL LEVEL IND.....1	1				

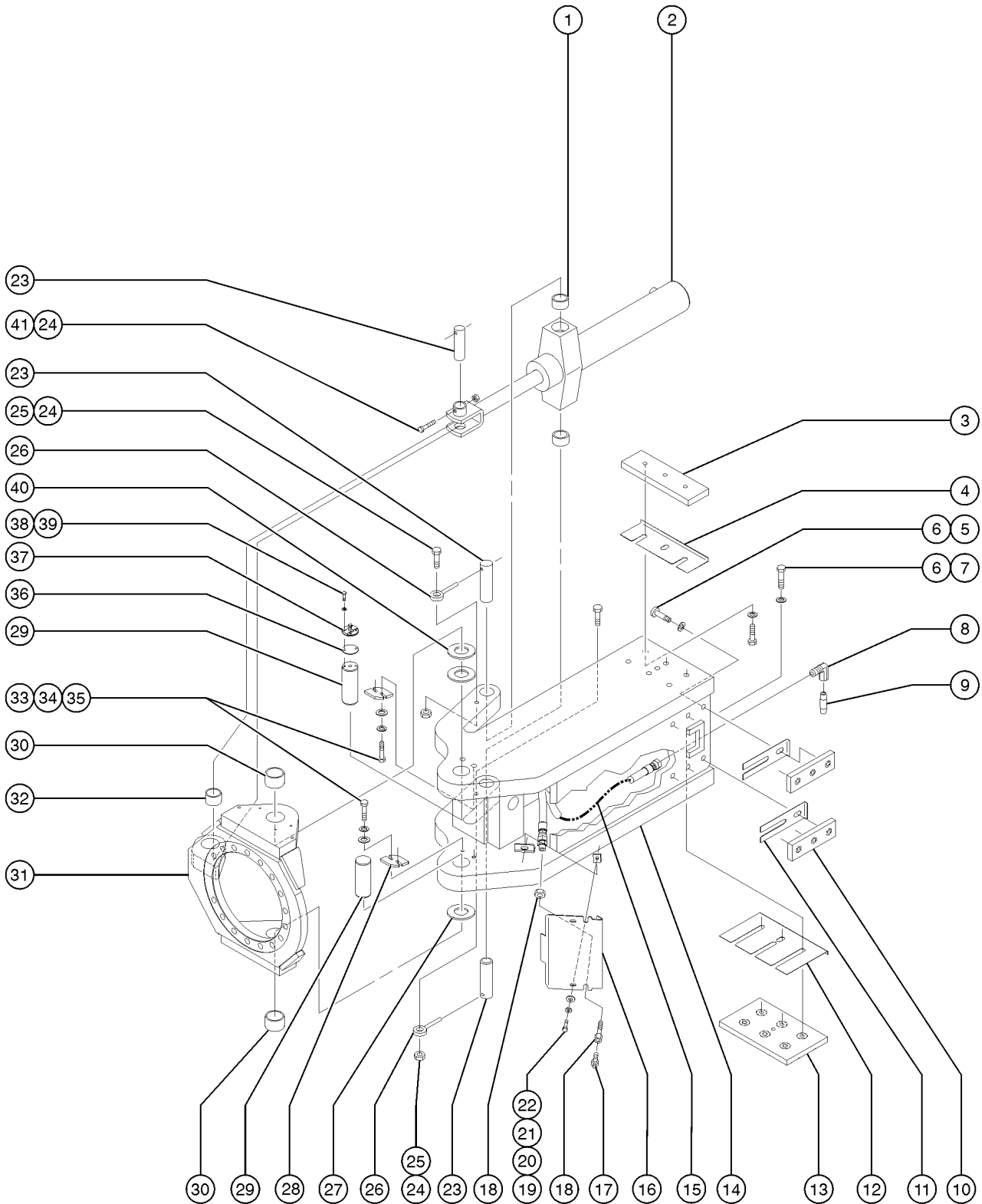
201.1 Extendable Steer Axle Installation - View 1



201.1 Extendable Steer Axle Installation - View 1

Item	Part No.	Description	Qty.
1	Ref.	MACHINING,INNER AXLE.....2 (refer to 202.1)	
2	75060	SCREW,HEX HD FLANGE 1/4-20X1/2	
3	61682	BRACKET,SWITCH ROD MOUNT,PNTED.....2	
4	61683	ROD,SWITCH ACTIVATING.....2	
5	61684	WEARPAD,ACTIVATING ROD.....2	
6	8514	SCREW,FHS,1/4-20 X .75	
7	49819	SCREW,PHILLIPS,PHM,10-32 X .5	
8	6178	NUT,NYLOCK,10-32	
9	60987	SWITCH,LIMIT,PROX(OPERATIONAL),4	
10	61688	WELDMENT,AXLE SWITCH.....2	
11	89536	CYLINDER,AXLE EXTEND***.....2	
--	33428	VALVE,COUNTERBALANCE	
--	43018	SEAL KIT (39345)	
--	62416	SEAL KIT,AXLE EXTEND CYL,61381	
--	62419	VALVE,CB.CBBC-LHN@2200*	
12	18596	WASHER,FLAT,1.56 X 2.5 X .061	
13	61604	PIN,CLEVIS, 1.50 X 4.465LONG.....4	
14	75063	PIN,COTTER,.188 X 2.00 LONG	
15	75038	PIN,AXLE STOP.....4	
16	75040	SHIM,AXLE PIN	
17	75039-S	PLATE,AXLE PIN RETAINER.....4	
18	10597	SCREW,HHC,1/2-13 X 1.25 GR5	
19	6033	WASHER,LOCK,0.5"	
20	75036	LIMIT SWITCH,SAFETY.....2	
--	53983	STRAIN RELIEF, PG13,5	
--	75910	WIRE ASSEMBLY,16/4SJO,9.5"PLUG	
--	75913	LIMIT SWITCH, SAFETY,NO WIRE	
21	49817	SCREW,PHILLIPS,PHM,10-32 X1.25	
22	6607	WASHER,LOCK,#10 PLTD	

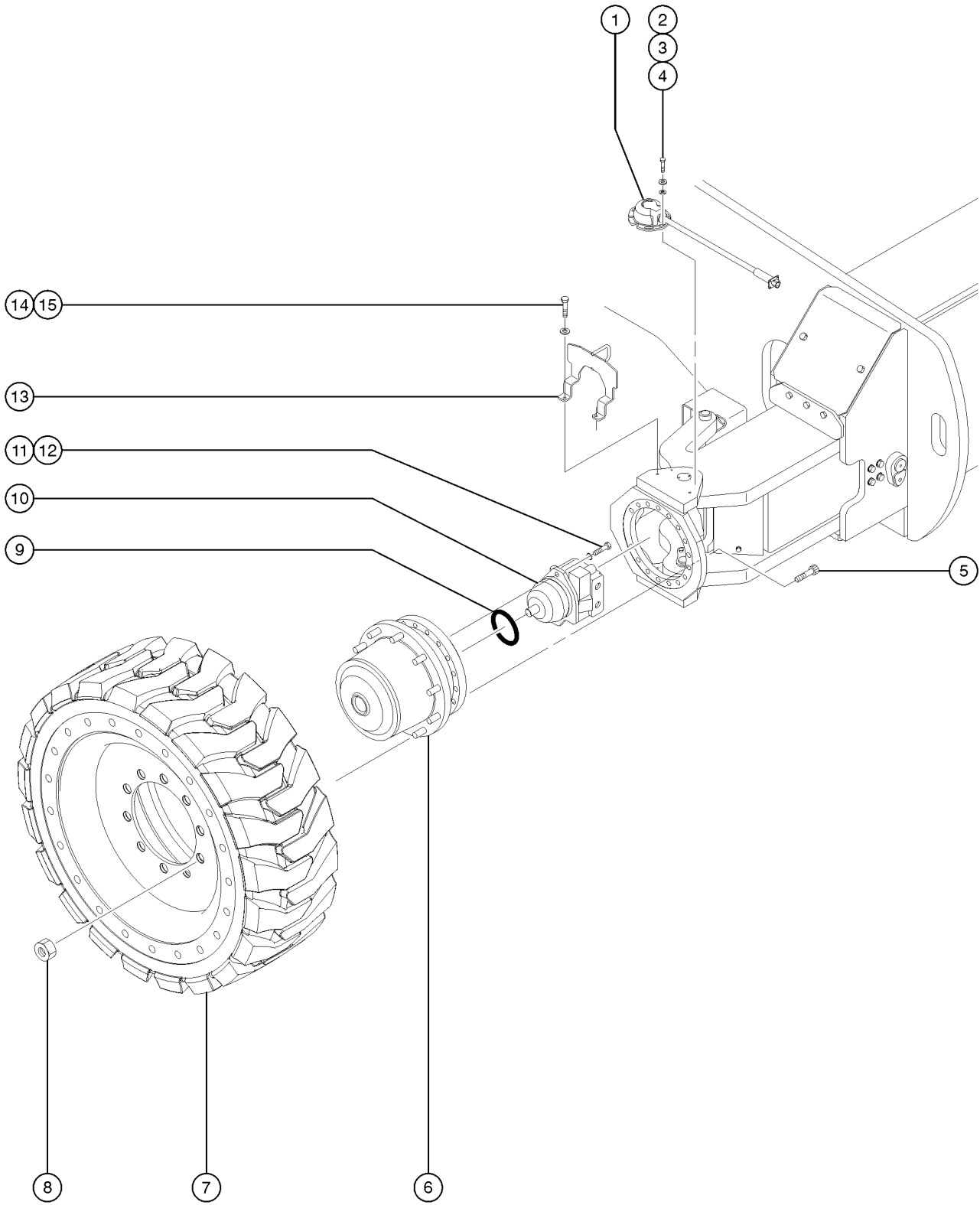
202.1 Extendable Steer Axle Installation - View 2



202.1 Extendable Steer Axle Installation - View 2

Item	Part No.	Description	Qty.	Item	Part No.	Description	Qty.
1	18396	BEARING,1.5IDX1.75ODX1.0L.....4		35	6097	WASHER,FLAT,USS,3/8",Y	
2	50060-S	CYLINDER,STEERING W/DECAL...2 <i>includes item 1</i>		36	60747	SHIM,STEER SENSOR ACTIVATOR.....2	
--	65793	SEAL KIT CYL***		37	60618	ACTIVATOR,STEER SENSOR.....2	
3	61310	PLATE,AXLE WEAR STEEL.....8		38	49819	SCREW,PHILLIPS,PHM,10-32 X .5	
4	61307	SHIM,INNER AXLE WEAR PAD		39	6607	WASHER,LOCK,#10 PLTD	
5	22788	SCREW,HHC,1/2-13 X 1.75		40	60745	SHIM,GALVANIZED STEER YOKE	
6	6033	WASHER,LOCK,0.5"		41	14033	SCREW,HHC,3/8-16 X 2.75	
7	39479	SCREW,HHC,1/2-13 X 2.75					
8	102729	ELBOW,90D,1/8 NPT X #4 JIC.....8					
9	102728	NIPPLE,1/8 NPT X 3.0 FFS-S.....4					
10	61308	WEAR PAD,INNER AXLE SIDE.....16					
11	122249	SHIM,PAD 2.0 X 6.60					
12	122248	SHIM,PAD,10 X 6.10					
13	61309	WEAR PAD,INNER AXLE.....8					
14	61634-S	MACHINING,INNER AXLE.....2					
15	49189-2338	HOSE ASSY,1/4,STR FEM,STR.....6 <i>components: 48805, 48805 and 48751 @ 21 inches</i>					
16	61654	FORMING,INNER AXLE COVER.....2					
17	28646	ZERK,GREASE,1/8 NPT.....8					
18	48885	CONNECTOR,BULKHEAD,FEMALE-4.8					
19	6090	SCREW,HHC,1/4-20 X .75					
20	6356	WASHER,LOCK,.25					
21	6638	WASHER,FLAT,USS,1/4"Y					
22	56912	SPRING CLIP,1/4-20,.025-.15X.5.....8					
23	60980	PIN,1.50DIA X 4.13LG,THREADED...6					
24	4828	NUT,NYLOCK,3/8-16					
25	6326	SCREW,HHC,3/8-16 X 3					
26	45226	ROD END,.375 X 3.69.....8					
27	60555	WASHER,THRUST 5 X 1.81 BRONZE.....2					
28	75088	PLATE,KING PIN RETAINER.....4					
29	75087	PIN,AXLE KING.....4					
30	119620	BEARING,1.75IDX2.00ODX1.50L....4					
31	75452-S	YOKE ASSEMBLY,SUPERBOOM,NRRW...4 <i>includes items 30 and 32</i>					
32	119619	BEARING,1.5IDX1.75ODX1.5L,PTFE.2					
33	6019	SCREW,HHC,3/8-16 X 1.25 GRD 5					
34	6021	WASHER,LOCK,.375					

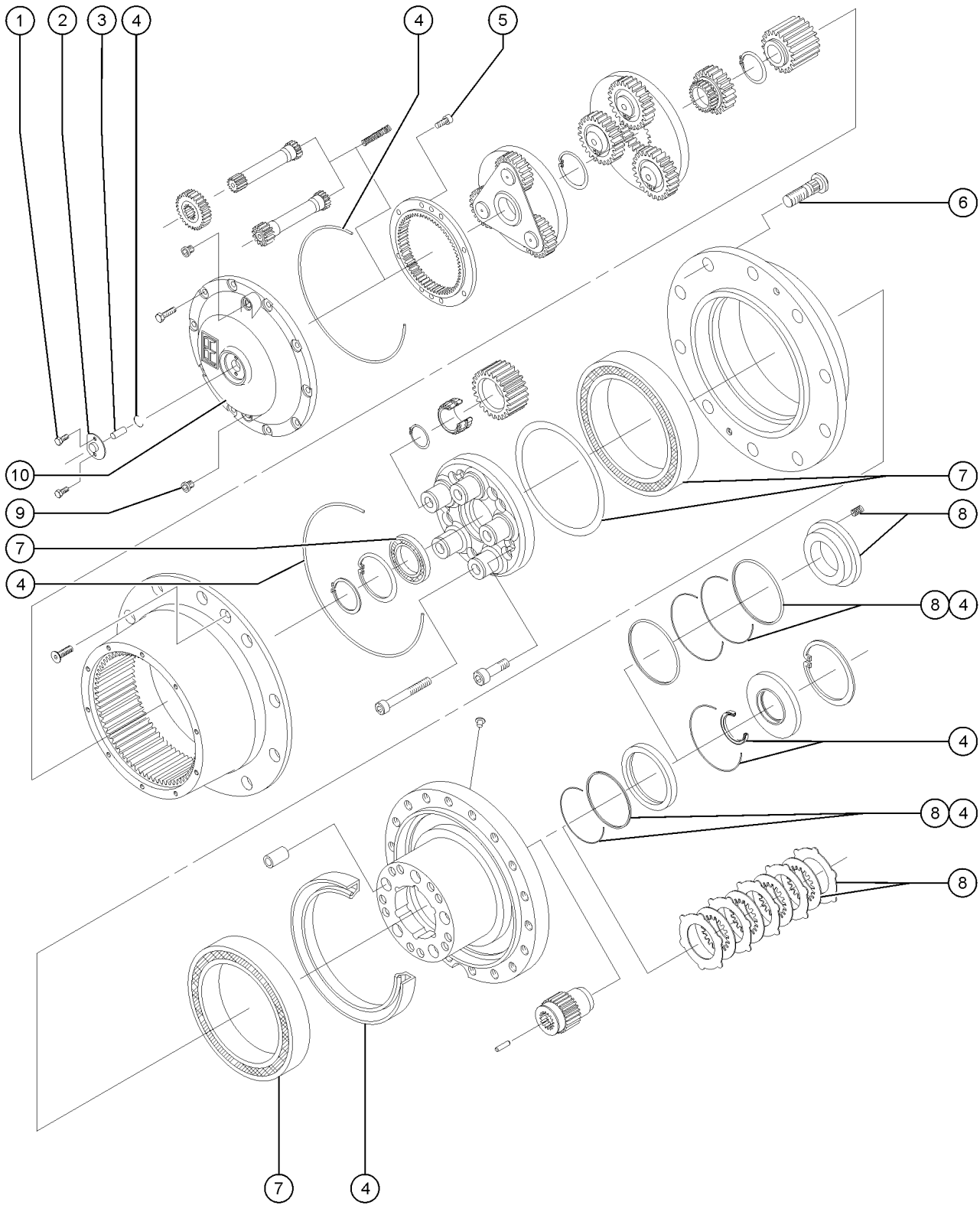
203.1 Steer Axle Wheels and Drive Hubs



203.1 Steer Axle Wheels and Drive Hubs

Item	Part No.	Description	Qty.
1	107830	SUBASSY,STEER SENSOR***.....4 <i>(calibration required after replacement)</i>	
--	49817	SCREW,PHILLIPS,PHM,10-32 X1.25	
2	8914	SCREW,HHC,1/4-20 X .625	
3	6356	WASHER,LOCK,.25	
4	6638	WASHER,FLAT,USS,1/4"Y	
5	102064	SCREW,SHC,M16 X 50MM,BLACK.....64	
6	Ref.	Drive Hub with Brake <i>(refer to 204.1)</i>	
7	149284	TIRE,SLD RUBBER,RT,445/65D22.5 <i>RT, Solid, right</i>	
--	149283	TIRE,SLD RUBBER,LF,445/65D22.5 <i>RT, Solid, left (shown)</i>	
--	50032	TIRE & WHEEL ASSY LF-LR <i>Foam-filled; to SN S12512D-198</i>	
--	T111702	ASSY,TIRE,445D50/710,LH <i>(Foam-filled, left); from SN S12512D-199</i>	
--	50188	TIRE & WHEEL ASSY RF-RR <i>Foam-filled; to SN S12512D-198</i>	
--	T111703	ASSY,TIRE,445D50/710,RH <i>(Foam-filled, right); from SN S12512D-199</i>	
8	34127	NUT,LUG,3/4-16 X 7/8 RADIUS.....40	
9	106118	O-RING,2-157,VITON***.....4	
10	101070	MOTOR,PISTON,2 SPEED,45CC....4 <i>includes item 9</i>	
--	106098	SEAL KIT,MOTOR,LC/KC***	
11	56843	SCREW,SHC,1/2-13 X 1.50,A574....8	
12	13066	WASHER,FLAT,.5 HARDENED	
13	61662-S	WELDMENT,GUIDE BRACKET.....4	
14	8255	SCREW,HHC,3/8-16 X .75	
15	6021	WASHER,LOCK,.375	

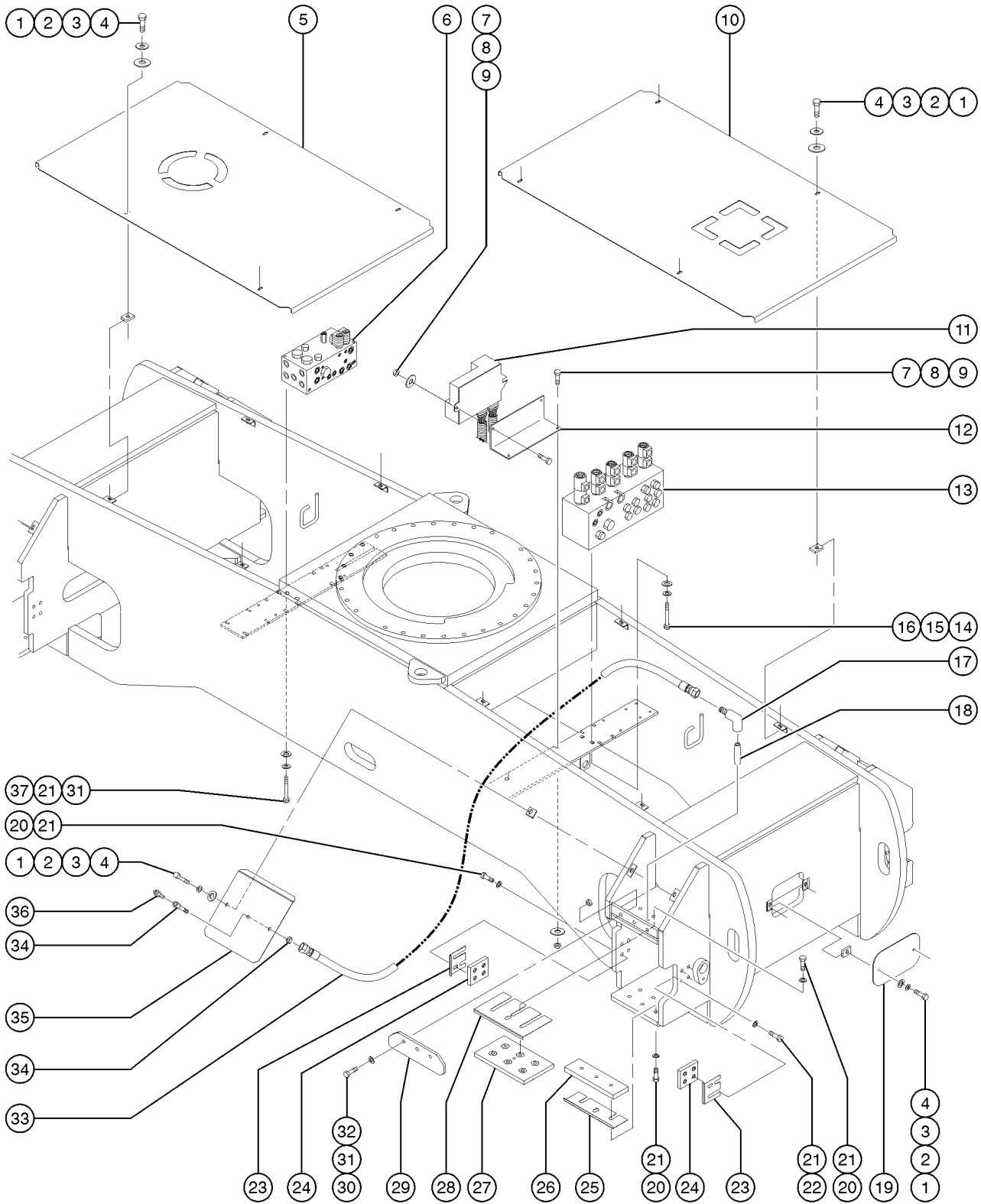
204.1 Drive Hub Assembly with Brake



204.1 Drive Hub Assembly with Brake

Item	Part No.	Description	Qty.
--	106756	WHEEL DRIVE W/BRAKE,76:1	
1	7339	SCREW,HHC,1/4-20 X .5	
2	102449	CAP,MANUAL DISENGAGE (89212).....	1
3	102450	PIN,DISENGAGE CAP, 89212.....	1
4	106873	SEAL KIT,RWD 1700TB***	1
5	102452	SCREW,M8X1.5X20MM GR8.8(89212)	
6	62478	STUD, WHEEL, 3/4-16 X 3"***	10
7	106874	BEARING KIT,RWD 1700TB***	1
8	106875	BRAKE KIT,RWD 1700TB.....	1
9	102684	PLUG,DRAIN,RR TRANS.DRIVE HUBS.....	2
10	237233	WHEEL COVER,Z135.....	1
--	237232	WHEEL COVER,O-RING (FOR 237233)	

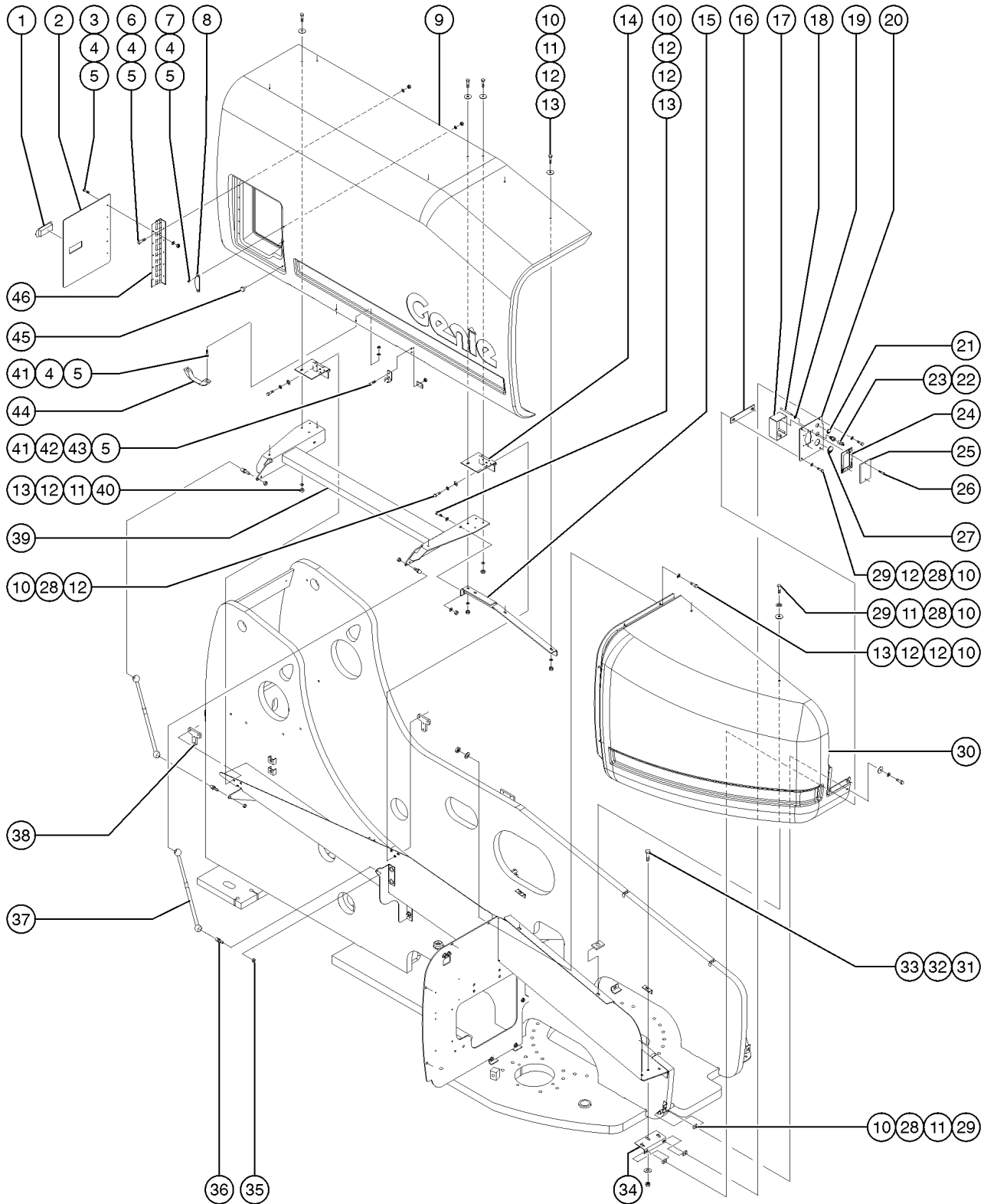
205.1 Chassis Components



205.1 Chassis Components

Item	Part No.	Description	Qty.	Item	Part No.	Description	Qty.
1	6888	SCREW,HHC,1/4-20 X 1		33	49189-2338	HOSE ASSY,1/4,STR FEM,STR.....4 <i>components: 48805, 48805 and 48751 @ 21 inches</i>	
2	6356	WASHER,LOCK,.25		34	48885	CONNECTOR,BULKHEAD,FEMALE-4.4	
3	6638	WASHER,FLAT,USS,1/4"Y		35	61649-S	COVER,DRIVE CHASSIS AXLE.....4	
4	56912	SPRING CLIP,1/4-20,.025-.15X.5		36	28646	ZERK,GREASE,1/8 NPT.....4	
5	62470-S	COVER ASSY,DRIVE CHASSIS S120.....1	1	37	10597	SCREW,HHC,1/2-13 X 1.25 GR5	
6	Ref.	Traction Manifold <i>(refer to 701.1)</i>					
7	6782	NUT,NYLOCK,5/16-18					
8	5397	WASHER,FLAT,USS,5/16",Y					
9	10107	SCREW,HHC,5/16-18 X .75					
10	62471-S	COVER ASSY,DRIVE CHASSIS S120*.....1	1				
11	50154	CONTROL BOX ASSY,DRIVECHASSIS.....1	1				
--	102704	HARNES,DCON,4WS					
--	73742	BOOT,PLUG 3 WAY					
12	61378-S	FORMING,DCON MOUNT,PAINTED.....1	1				
13	Ref.	Steer and Axle Extend/Retract Manifold <i>(refer to 702.1 or 703.1)</i>					
14	6019	SCREW,HHC,3/8-16 X 1.25 GRD 5					
15	6021	WASHER,LOCK,.375					
16	6097	WASHER,FLAT,USS,3/8",Y					
17	102729	ELBOW,90D,1/8 NPT X #4 JIC.....4	4				
18	61742	NIPPLE,PIPE,LONG 1/8 X 1.5.....4	4				
19	61663P	COVER,DRIVE CHASSIS END**.....2	2				
20	8177	SCREW,HHC,1/2-13 X 1.5					
21	6033	WASHER,LOCK,0.5"					
22	22788	SCREW,HHC,1/2-13 X 1.75					
23	122247	SHIM,PAD,4 X 3.60					
24	61302	WEAR PAD,INNER AXLE SIDE.....8	8				
25	61307	SHIM,INNER AXLE WEAR PAD					
26	61310-S	PLATE,AXLE WEAR STEEL.....4	4				
27	61309	WEAR PAD,INNER AXLE.....4	4				
28	122248	SHIM,PAD,10 X 6.10					
29	60418-S	PLATE,WEAR PAD RETENTION.....4	4				
30	6096	SCREW,HHC,1/2-13 X 2 GR5					
31	6095	WASHER,FLAT,USS,1/2",Y					
32	6198	NUT,NYLOCK,1/2-13					

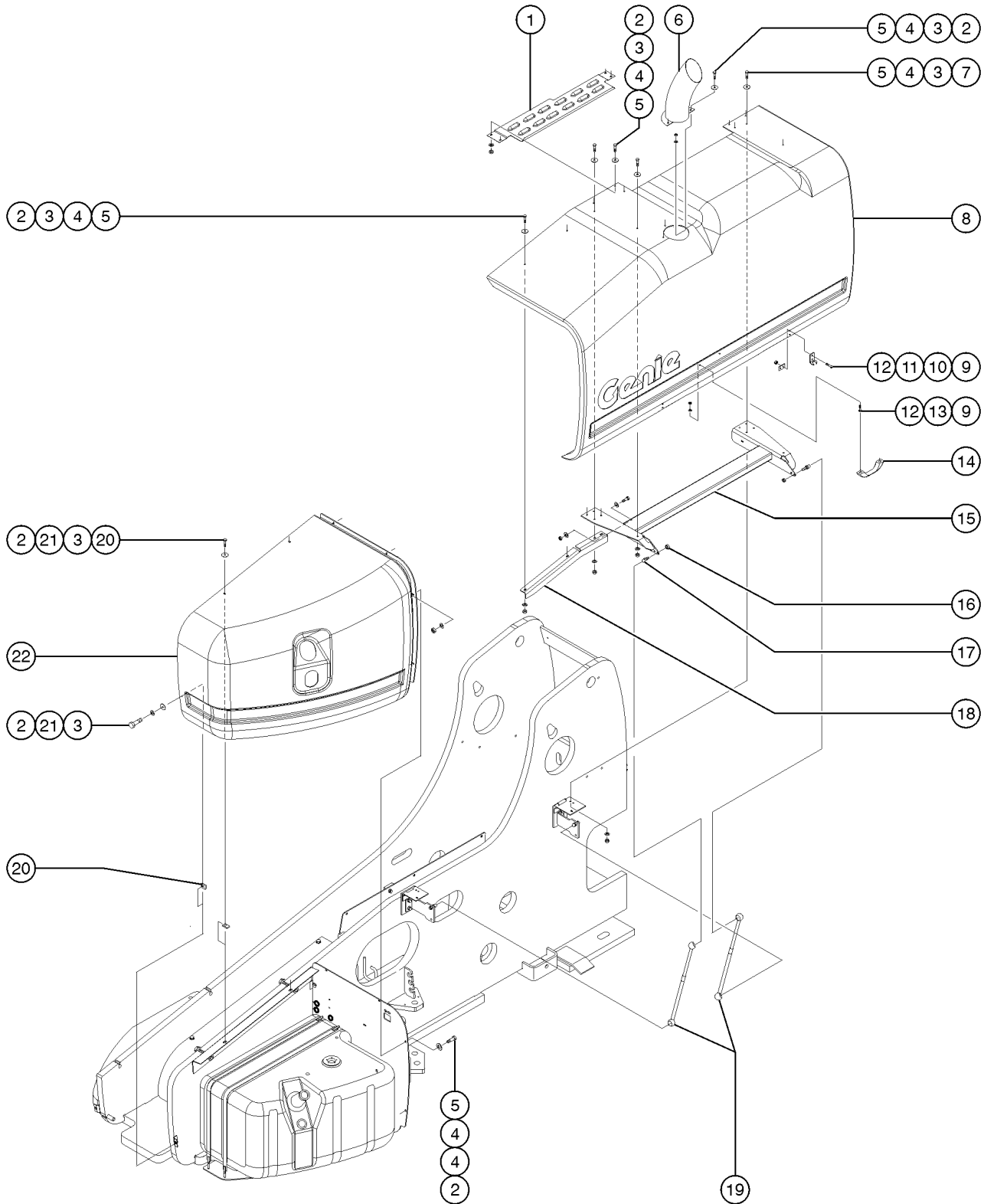
301.1 Turntable Covers - Tank Side



301.1 Turntable Covers - Tank Side

Item	Part No.	Description	Qty.	Item	Part No.	Description	Qty.
1	60964	LATCH,PANEL.....	1	25	10777	COVER,BLANK.....	1
2	75108-S	GRND.CNTRLS ACCESS COVER.....	1	26	75067	SCREW,6-32 X 7/8 PPMS ZINC	
		<i>USA/Canada/Australia</i>		27	21187	PLUG,NYLON 1.38 BLACK DOMED.....	1
--	60966	COVER,TURNTABLE COVER ACCESS <i>Europe/Asia/South America</i>		28	6356	WASHER,LOCK,,25	
3	5094	SCREW,RHM,10-32 X .5		29	56912	SPRING CLIP,1/4-20,.025-.15X.5	
4	6146	WASHER,FLAT,MS,#10,Y		30	75110-S	COVER ASSY.W/DECAL TURNTBL.ROT.....	1
5	6178	NUT,NYLOCK,10-32				<i>USA/Canada/Australia</i>	
6	6147	SCREW,RHM,10-32 X 1		--	111328	TURNTABLE COVER W/SYM DECAL LT <i>Europe/Asia/South America</i>	
7	6873	SCREW,FHM,10-32 X 1		31	6175	SCREW,HHC,3/8-16 X 1	
8	60892	LATCH,PLATE,CONTROL BOX COVER.....	1	32	6097	WASHER,FLAT,USS,3/8",Y	
9	111330	COVER ASSY W/WORD DECALS SB <i>includes items 1-8, 10-15, and 39-46; USA/Canada/Australia</i>		33	4828	NUT,NYLOCK,3/8-16	
--	122894	COVER W/SYM DEC TNK SD 120/125 <i>includes items 1-8, 10-15, and 39-46; Europe/Asia/South America</i>		34	60895-S	BRACKET,PANEL MOUNT.....	1
				35	6002	NUT,LP NYLOCK,5/16-18	
--	60874	TRIMLOCK,1/4		36	33555	BALL STUD**.....	4
10	6888	SCREW,HHC,1/4-20 X 1		37	122272	GAS STRUT,202 LBS FORCE.....	2
11	12906	WASHER,FENDER,.25 X 1.25 X.062		38	75642-S	PLATE,TAP BLOCK HINGE MNT PTD.....	2
12	6638	WASHER,FLAT,USS,1/4"Y		39	60578	COVER SUPPORT,WELDMENT....	1
13	6091	NUT,NYLOCK,1/4-20		40	8915	SCREW,HHC,1/4-20 X 1.25	
14	75073	HINGE,.375X.120THK.,SLOTTED...2		41	6606	SCREW,RHM,10-32 X .75	
15	60872	SUPPORT,COVER (61112,61117).....	1	42	75076	KEEPER,LATCH (45363).....	2
16	61279-S	MOUNT,PANEL BACKING.....	1	43	50790	PLATE,COVER LATCH BACKING.....	2
17	75069	T-BOX 2.75 X 4.5 X 2.5.....	1	44	60884	HANDLE,GRAB.....	1
18	43955	WIRE CABLE,12GA/3 CON.TPE JKT*.....1960-inches (S-120)		45	34619	BUMPER,RUBBER***.....	2
--	43955	WIRE CABLE,12GA/3 CON.TPE JKT*.....2020-inches (S-125)		46	60893	HINGE,SWING CONTROL BOX.....	1
19	6935	LOCKNUT,ELEC,1/2".....	1				
20	89539P	MOUNT,PANEL,PAINTED.....	1				
21	15243	PLUG,NYLON .875 BLACK DOMED.....	1				
22	6595	PLUG,ELECTRICAL,DOMESTIC.....	1				
23	61278	CONN. SQZ,1/2NPT .56-.63.....	1				
24	74052	GASKET,COVER,GFCI,WEATHERPROOF.1					

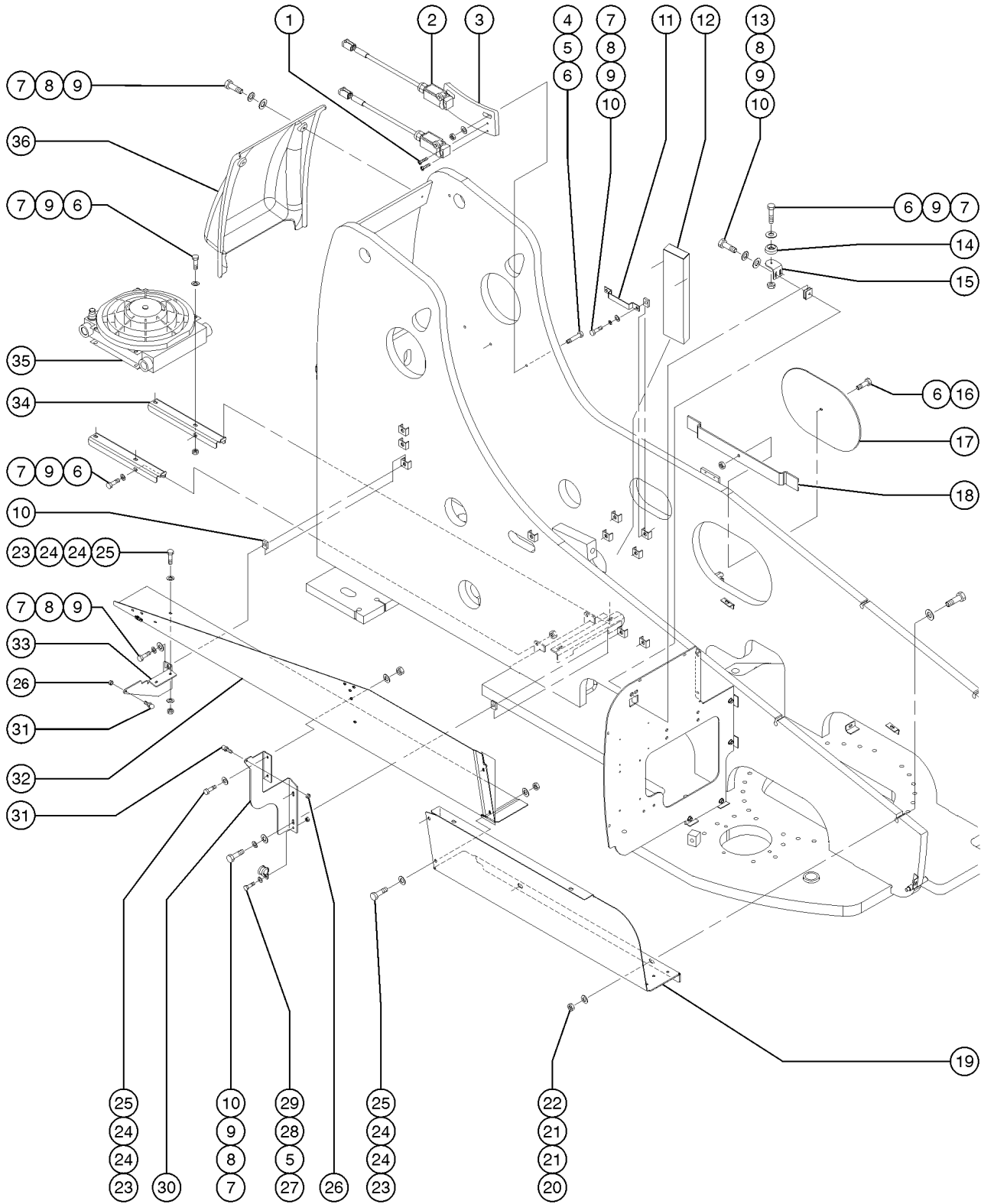
302.1 Turntable Covers - Engine Side



302.1 Turntable Covers - Engine Side

Item	Part No.	Description	Qty.
1	60595-S	SUPPORT,ENGINE COVER GREY.....	1
2	6888	SCREW,HHC,1/4-20 X 1	
3	12906	WASHER,FENDER,.25 X 1.25 X.062	
4	6638	WASHER,FLAT,USS,1/4"Y	
5	6091	NUT,NYLOCK,1/4-20	
6	101964	WELDMENT,EXHAUST TUBE.....	1
7	8915	SCREW,HHC,1/4-20 X 1.25	
8	102948	COVER W/WRD DECALS ENG SIDE SB.....	1
		<i>includes items 1-6, 9, 12-15, and 18</i>	
--	102947	COVER W/SYM DECALS ENG SIDE SB	
		<i>includes items 1-6, 9, 12-15, and 18</i>	
--	60874	TRIMLOCK,1/4	
9	6606	SCREW,RHM,10-32 X .75	
10	75076	KEEPER,LATCH (45363).....	2
11	50790	PLATE,COVER LATCH BACKING.....	2
12	6178	NUT,NYLOCK,10-32	
13	6146	WASHER,FLAT,MS,#10,Y	
14	60884	HANDLE,GRAB.....	1
15	60578	COVER SUPPORT,WELDMENT.....	1
16	6002	NUT,LP NYLOCK,5/16-18	
17	33555	BALL STUD**.....	4
18	60872	SUPPORT,COVER (61112,61117).....	1
19	122272	GAS STRUT,202 LBS FORCE.....	2
20	56912	SPRING CLIP,1/4-20,.025-.15X.5	
21	6356	WASHER,LOCK,.25	
22	75112-S	COVER ASSY.W/DECALS,FUEL TANK.....	1
		<i>USA/Canada/Australia</i>	
--	111329	FUEL CVR W/SYM DECAL S100/120 <i>Europe/Asia/South America</i>	

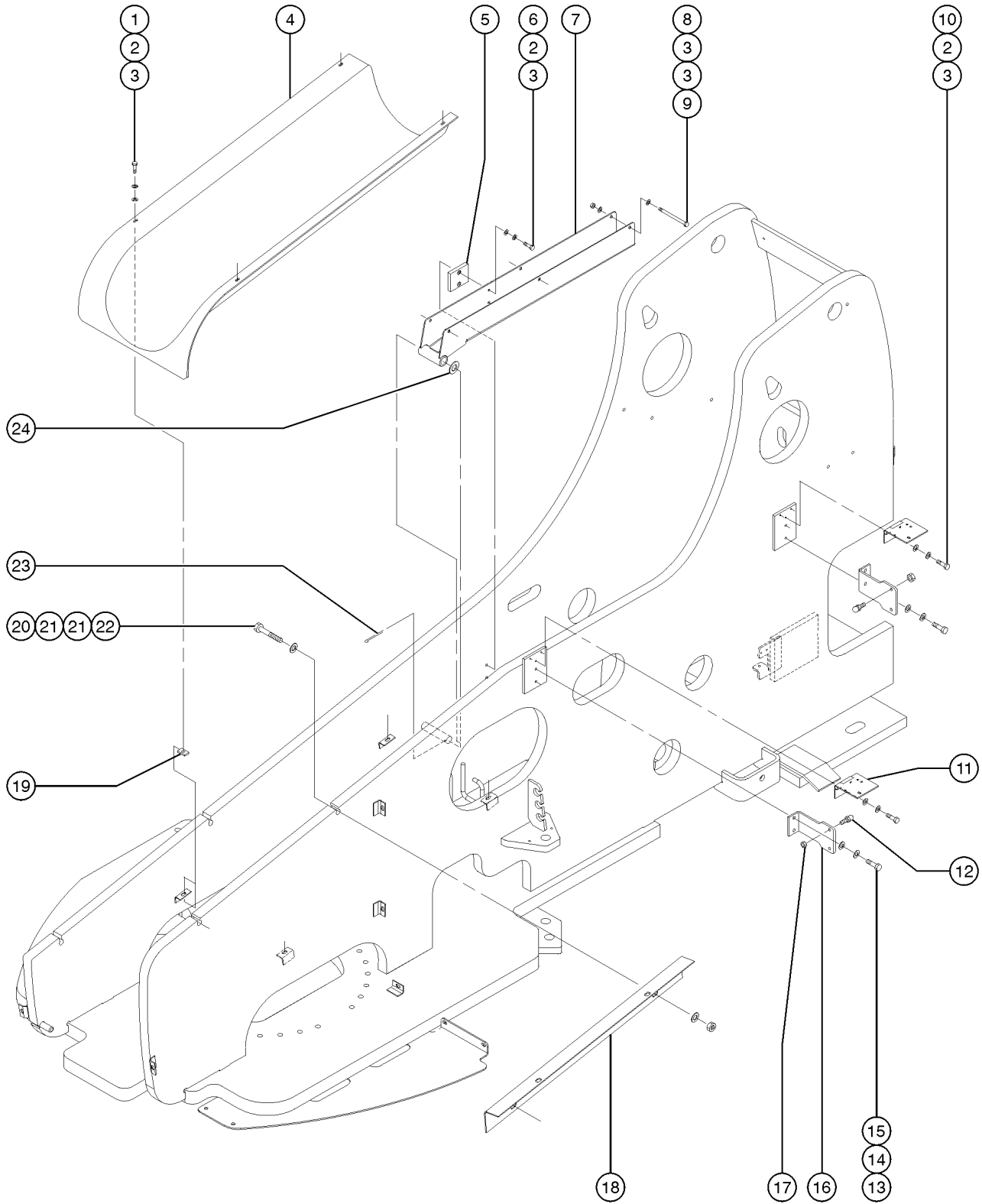
303.1 Turntable Components - Tank Side



303.1 Turntable Components - Tank Side

Item	Part No.	Description	Qty.	Item	Part No.	Description	Qty.
1	51063	SCREW,PHILLIPS,RHM,10-32 X 1.5		28	60838	CLAMP,1.00,#16 X 7/16,RUB CUSH.....	1
2	146198	LIMIT SWITCH,SAFETY		29	6782	NUT,NYLOCK,5/16-18	
--	110771-74BJ9	SWITCH,LIMIT,ROLLER NO/NC GOLD		30	60655-S	STRUT SUPPORT,TANK SIDE.....	1
--	128636	ROLLER,ARM,LIMIT SWITCH,ZCY500		31	40265	BALL STUD,GAS STRUT (38593)***.....	2
--	146325	CONN.SQZ,PG 11,.34-.47,W/ORING		32	102993	TURNTABLE COVER MOUNT ASSY	
3	60341-S	PLATE,ANGLE LIMIT SWITCH,MACH.....	1	--	102994	TURNTABLE COVER MOUNT ASSY SYM	
4	14033	SCREW,HHC,3/8-16 X 2.75		33	60670-S	STRUT SUPPORT.....	1
5	5397	WASHER,FLAT,USS,5/16",Y		34	102205P	FORMING, COOLER SUPPORT PAINTE.....	2
6	7713	NUT,LP NYLOCK,3/8-16		35	71259	OIL COOLER W/FAN, 12VDC.....	1
7	6175	SCREW,HHC,3/8-16 X 1		--	75854	FAN - VENTED	
8	6021	WASHER,LOCK,.375		--	75855	THERMOSTAT -OIL COOLER (71259)	
9	6097	WASHER,FLAT,USS,3/8",Y		36	60671	COVER,REAR MAST.....	1
10	29868	SPRING CLIP,3/8-16					
11	61350-S	CLAMP,INTAKE EXTENSION,DEUTZ.....	2				
		<i>Deutz models</i>					
12	61347	WELDMENT,INTAKE EXT.DEUTZ.....	1				
		<i>Deutz models</i>					
--	60875	TRIM MOLDING					
13	6019	SCREW,HHC,3/8-16 X 1.25 GRD 5					
14	50974	BUMPER,RUBBER,COVERS.....	1				
15	60729-S	FORMING,COVER STOP.....	1				
16	8516	SCREW,HHC,3/8-16 X 1.50,GR5 <i>Deutz models</i>					
17	75057-S	SWING COVER,DEUTZ.....	1				
		<i>Deutz models</i>					
18	75058-S	SWING COVER BRACKET,DEUTZ.....	1				
		<i>Deutz models</i>					
19	60496-S	FORMING,INNER COVER.....	1				
20	6198	NUT,NYLOCK,1/2-13					
21	6095	WASHER,FLAT,USS,1/2",Y					
22	39479	SCREW,HHC,1/2-13 X 2.75					
23	6888	SCREW,HHC,1/4-20 X 1					
24	6638	WASHER,FLAT,USS,1/4"Y					
25	6091	NUT,NYLOCK,1/4-20					
26	6002	NUT,LP NYLOCK,5/16-18					
27	10107	SCREW,HHC,5/16-18 X .75					

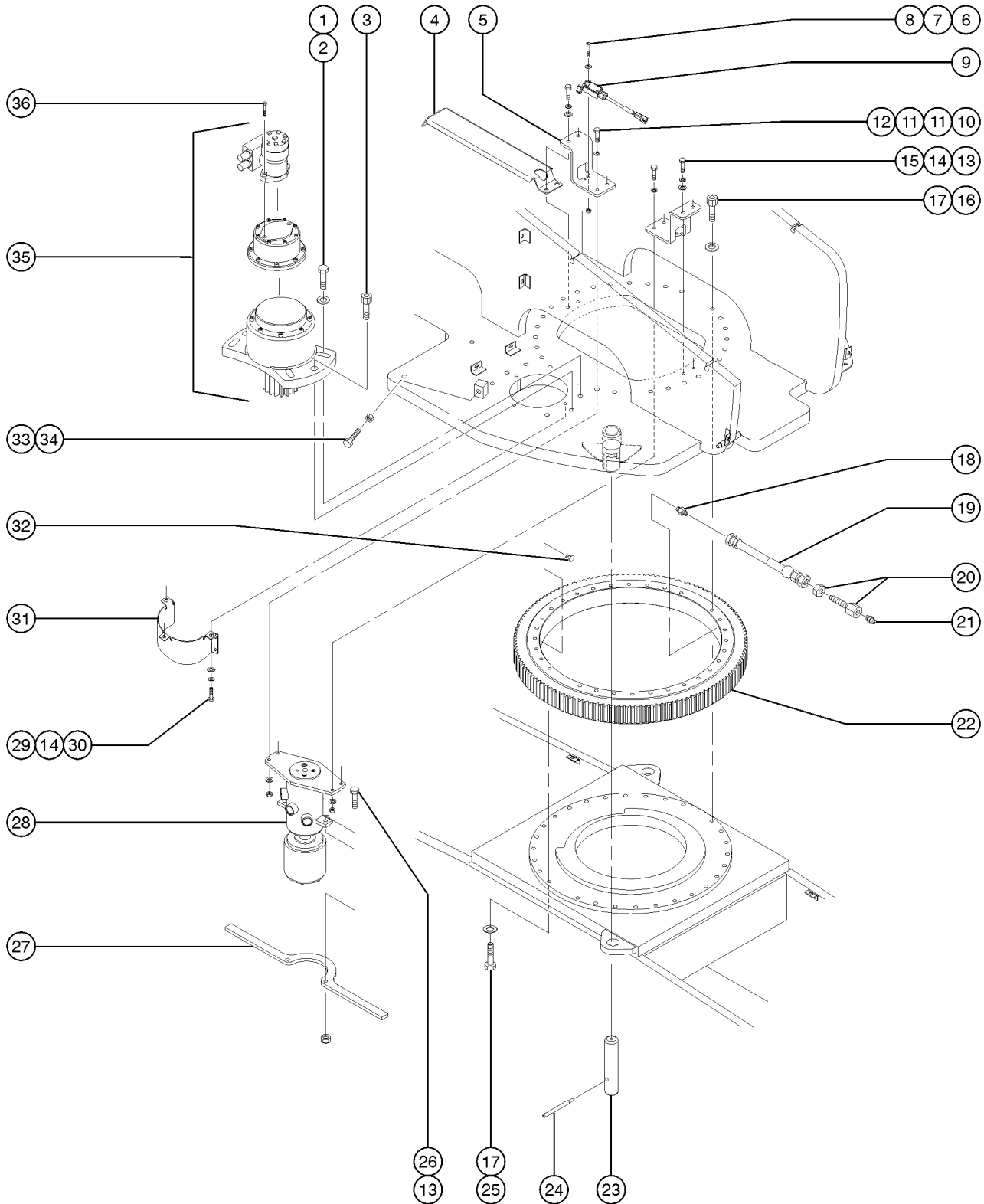
304.1 Turntable Components - Engine Side



304.1 Turntable Components - Engine Side

Item	Part No.	Description	Qty.
1	6888	SCREW,HHC,1/4-20 X 1	
2	6356	WASHER,LOCK,.25	
3	6638	WASHER,FLAT,USS,1/4"Y	
4	61179	COVER,CENTER,SUPERBOOM.....1	
5	45209	WEAR PAD,4X2X.5 W/INSERT***.....1	
6	6090	SCREW,HHC,1/4-20 X .75	
7	60759-S	WELDMENT,CABLE TRAY.....1	
8	11413	SCREW,HHC,1/4-20 X 4	
9	6889	NUT,LP NYLOCK,1/4-20	
10	7339	SCREW,HHC,1/4-20 X .5	
11	75073	HINGE, .375X.120THK.,SLOTTED...2	
12	40265	BALL STUD,GAS STRUT (38593)***2	
13	8255	SCREW,HHC,3/8-16 X .75	
14	6021	WASHER,LOCK,.375	
15	5397	WASHER,FLAT,USS,5/16",Y	
16	60583-S	FORMING,GAS STRUT MOUNT.....2	
17	6002	NUT,LP NYLOCK,5/16-18	
18	60483-S	SUPPORT,FUEL TANK COVER.....1	
19	56912	SPRING CLIP,1/4-20,.025-.15X.5	
20	39479	SCREW,HHC,1/2-13 X 2.75	
21	6095	WASHER,FLAT,USS,1/2",Y	
22	6198	NUT,NYLOCK,1/2-13	
23	5361	PIN,COTTER,.125 X 1.5.....1	
24	30748	WASHER,SHIM,1.01 X 1.63 X.062	

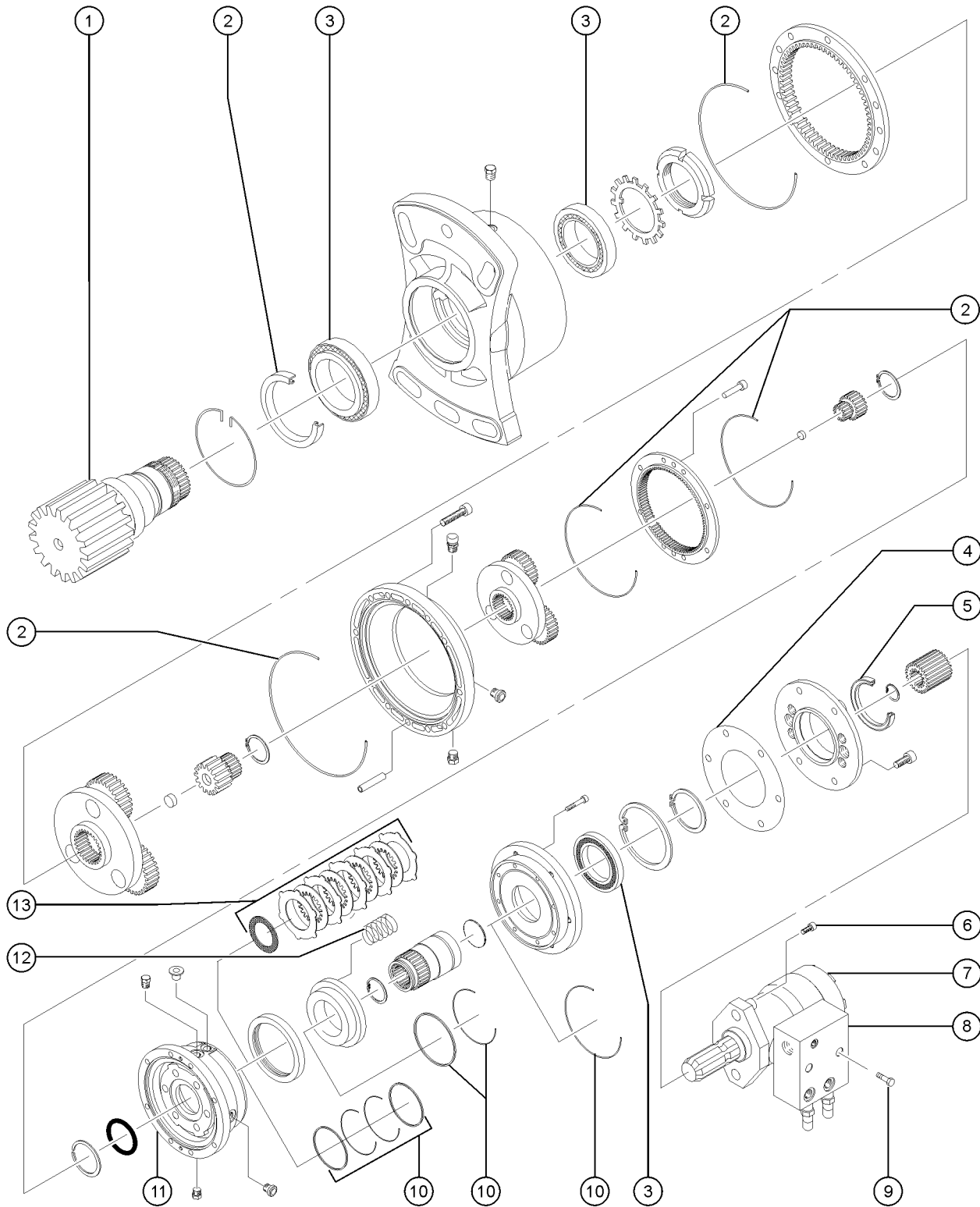
305.1 Turntable Rotator and Hydraulic Rotary Coupler



305.1 Turntable Rotator and Hydraulic Rotary Coupler

Item	Part No.	Description	Qty.	Item	Part No.	Description	Qty.
1	34348	SCREW,HHC,3/4-10 X 3 GRD.8.....5		--	62321	SEAL KIT,HYD SWIVEL	
2	89833	WASHER,FLAT,.81 X 2.00 X .38.....5		--	75129	ARM,ANTI-ROTATION,SWIVEL	
3	60815	SCREW,SHS,3/4-10 X 1.5		--	75130	SCREW,SHC,7/16-14 X .75,61342	
4	60937-S	FORMING,HOSE SUPPORT,SWING.....1		29	10587	SCREW,HHC,1/2-13 X.75	
5	60575-S	BRACKET,HYD.ROTATOR MOUNT MNT.....2		30	49410	WASHER,FLAT,M12	
6	49775	SCREW,PHILLIPS,PHM,10-32X 1.75		31	60606-S	COVER,ROTATION GEAR.....1	
7	6146	WASHER,FLAT,MS,#10,Y		32	75008	PLUG,PIPE HEXHEAD 130109E-1/8.....1	
8	6178	NUT,NYLOCK,10-32		33	61128	SCREW,HHC,3/4-10 X 4 FULL THRD	
9	75037	LIMIT SWITCH,OPERATIONAL.....1		34	6126	NUT,HEX,JAM,3/4-10	
10	13918	SCREW,HHC,3/8-16 X 1.75,GRD.8.....4		35	Ref.	Turntable Rotation Drive Hub (refer to 306.1)	
11	5397	WASHER,FLAT,USS,5/16",Y		36	56843	SCREW,SHC,1/2-13 X 1.50,A574....2	
12	4828	NUT,NYLOCK,3/8-16					
13	6096	SCREW,HHC,1/2-13 X 2 GR5					
14	6033	WASHER,LOCK,0.5"					
15	11209	WASHER,FLAT,USS,7/16",Y					
16	45495	SCREW,SHC,5/8-11 X 3.00,A574.....30					
17	13064	WASHER,FLAT,.625 HARDENED.....58					
18	75007	CONN.MALE PIPE/ORFS-4.....1					
19	61324-12947	HOSE ASSY,1/4".....1 <i>components: 48800, 48806 and 48751 @ 128 inches</i>					
20	48885	CONNECTOR,BULKHEAD,FEMALE-4.1					
21	28646	ZERK,GREASE,1/8 NPT.....1					
22	50035	BEARING,TURNTABLE.....1					
23	61222	PIN,TRANSPORT STORAGE LOCK.....1					
24	61223	PIN,TRANSPORT STORAGE HANDLE.....1					
25	61250	SCREW,SHC,5/8-11 X 3.75,A574.....28					
26	6198	NUT,NYLOCK,1/2-13					
27	60393-S	SUPPORT,HYDRAULIC SWIVEL.....1					
28	122918	SWIVEL,HYD/ELEC 5 PORT/10 CONT (complete)					
--	10107	SCREW,HHC,5/16-18 X .75					
--	106914	CHANNEL, MOUNTING					
--	122919	SWIVEL,ELECTRIC 10 CONTACT***					

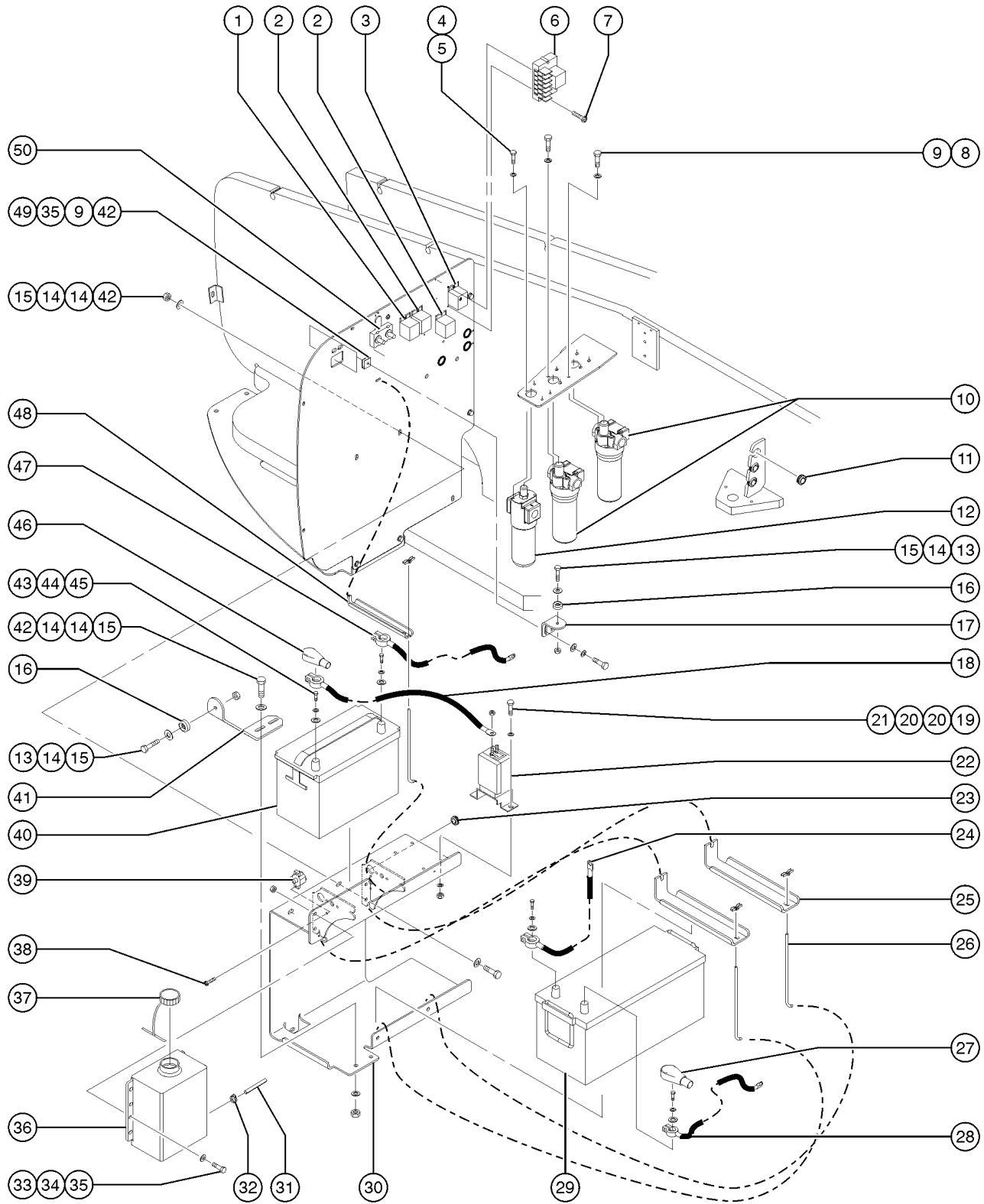
306.1 Turntable Rotation Drive Hub



306.1 Turntable Rotation Drive Hub

Item	Part No.	Description	Qty.
--	111145	SWING DRIVE ASSEMBLY	
1	75432	SHAFT-OUTPUT (60810).....	1
2	62465	SEAL KIT,DRIVE HUB,TURNTBL.ROT.....	1
3	62467	BEARING KIT,TURNTBL.ROT.DRVHUB.....	1
4	122336	GASKET,(111145).....	1
5	122337	OIL SEAL,(111145).....	1
6	56843	SCREW,SHC,1/2-13 X 1.50,A574	
7	111144	MOTOR,SWING DRIVE (111145)	
--	75116	SEAL KIT,TURNTABL.ROT.MOTOR	
8	128447	MANIFOLD,TURNTABLE ROTATION.....	1
9	41489	SCREW,SHC,5/16-18 X 2,PLATED	
10	62466	SEAL KIT,BRAKE,TURNTABLE ROT.....	1
11	111143	BRAKE,SWING DRIVE (111145)	
12	75682	DISC KIT DRIVE TURNTABLE Z-60*.....	1
13	62468	BRAKE DISC KIT,75090.....	1

307.1 Batteries and Hydraulic Filters Installation



307.1 Batteries and Hydraulic Filters Installation

Item	Part No.	Description	Qty.	Item	Part No.	Description	Qty.
--	66717	FUSE BLOCK, ANN & ANL FUSE		--	215209	KIT, BATT SEPARATOR, CE <i>includes part 237068</i>	
--	102190P	FORMING,FUSE COVER, PAINTED		--	215210	KIT, BATT SEPARATOR, AS <i>includes part 237068</i>	
1	60521	RELAY,SEALED 30/40 AMP.....1 <i>Deutz models</i>	1	23	60584	GROMMET,RUBBER .75 X .19 X 1**.....1	1
2	61225	RELAY,12VDC,70AMP,SEALED.....2 <i>Deutz models</i>	2	24	60928	CABLE,BATTERY NEGATIVE.....1	1
3	60521	RELAY,SEALED 30/40 AMP.....1 <i>Deutz models</i>	1	25	60711	HOLD DOWN,BATTERY.....2	2
--	61225	RELAY,12VDC,70AMP,SEALED <i>Cummins models</i>		26	45708	HOOK,BATT HOLD DOWN,10".....4	4
4	8914	SCREW,HHC,1/4-20 X .625		--	8170	NUT,WING,1/4-20	
5	6356	WASHER,LOCK,,25		27	18189	BOOT,BATTERY TERMINAL,RED.....1	1
6	89997	RELAY MODULE(89996,89998).....1	1	28	61318	BATTERY CABLE,POSITIVE DEUTZ.....1 <i>Deutz models</i>	1
7	49816	SCREW,PHILLIPS,PHM,10-32 X .75		--	60930	CABLE,BATTERY POSITIVE <i>Cummins models</i>	
8	8255	SCREW,HHC,3/8-16 X .75		29	217021	BATTERY 12V,AGM DC210-12,220AH <i>(Fullriver) wet and sealed battery</i>	
9	6021	WASHER,LOCK,,375		--	57160	BATTERY,12V GRP 4D,190 AH,DRY*.....1	1
10	60334	FILTER ASSY,HIGH PRESS SAE-12*.....2	2	30	60708-S	WELDMENT,BATTERY TRAY.....1	1
--	58222	O-RING,FILTER ASSY (60334)***		31	42941-11500	HOSE,3/8",FUEL,30R7 115-inches	
--	58223	SEAL,FILTER ASSY (60334)***		32	21465	CLAMP,HOSE,SIZE .25 TO .63.....1	1
--	60857	FILTER,ELEMENT,BETA(5)=1000		33	13002	SCREW,HHC,5/16-18 X 1 GR5	
11	61189	GROMMET,RUBBER .75 X .38 X1.13.....3	3	34	5397	WASHER,FLAT,USS,5/16",Y	
12	77139	FILTER ASY,M PRESS,SAE8,WOIND*		35	6782	NUT,NYLOCK,5/16-18	
--	58222	O-RING,FILTER ASSY (60334)***		36	60721	COOLANT,RECOVERY BOTTLE, 4 QT.....1	1
--	58223	SEAL,FILTER ASSY (60334)***		37	75121	CAP, COOLANT RET SYS(60721).....1	1
--	60857	FILTER,ELEMENT,BETA(5)=1000		38	54380	SCREW,PHILLIPS,PHM,8-32 X .875	
13	6175	SCREW,HHC,3/8-16 X 1		39	75610	CIRCUIT BREAKER, 25 AMP.....1	1
14	6097	WASHER,FLAT,USS,3/8",Y		40	217022	BATTERY 12V,AGM DC115-12,115AH <i>(Fullriver) wet and sealed battery</i>	
15	4828	NUT,NYLOCK,3/8-16		--	30143	BATTERY,12V,1000 CCA GRP 31	
16	50974	BUMPER,RUBBER,COVERS.....2	2	41	60727-S	FORMING,COVER STOP.....1	1
17	60729-S	FORMING,COVER STOP.....1	1	42	6019	SCREW,HHC,3/8-16 X 1.25 GRD 5	
18	75409	BATTERY CABLE.....1	1	43	217023	SCREW, M8x16, GB5783 GRADE 8.8.....4 <i>Use only with Fullriver battery</i>	4
--	111637	CABLE,BATTERY POSITIVE 73" <i>Cummins models</i>					
19	6090	SCREW,HHC,1/4-20 X .75					
20	6638	WASHER,FLAT,USS,1/4"Y					
21	6091	NUT,NYLOCK,1/4-20					
22	237068	SEPARATOR,DUAL BATTERY,100A.....1	1				
--	214393	KIT, BATT SEPARATOR, ANSI/CSA <i>includes part 237068</i>					

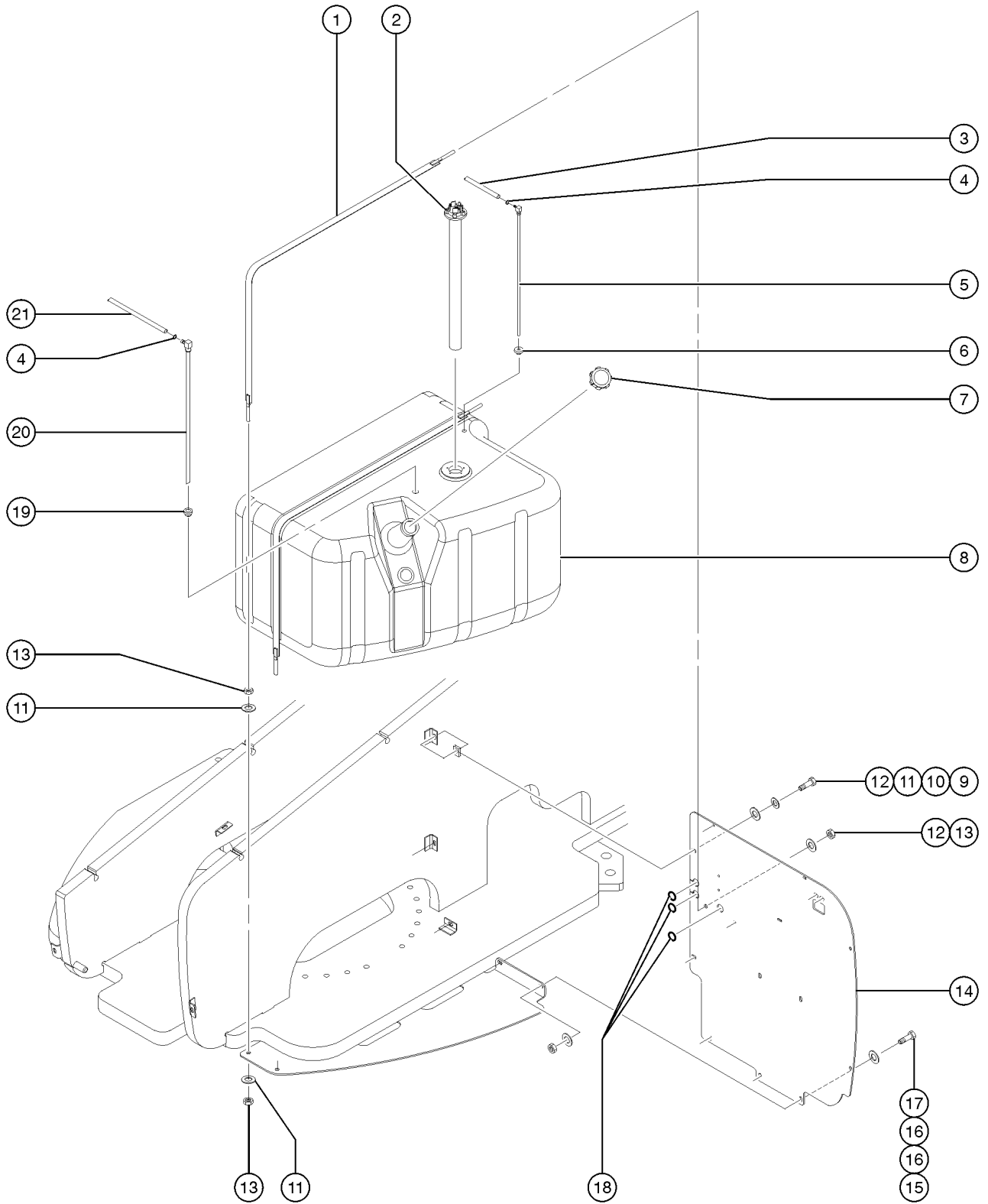
307.1 Batteries and Hydraulic Filters Installation
(continued)

Item	Part No.	Description	Qty.
44	231993	SPRING WASHER 8 GB93.....4 <i>Use only with Fullriver battery</i>	
45	235068	FLAT WASHER M8, GB/T96, HV140 ZN.....4 <i>Use only with Fullriver battery</i>	
46	51147	BOOT,CABLE TERMINAL,LG,RED,2/0.....1	
47	75719	CABLE,GROUND,79" W/PIGTAIL....1	
48	60940	HOLD DOWN,BATTERY,SMALL.....1	
49	29868	SPRING CLIP,3/8-16	
50	128829	CIRCUIT BRKR 15A TYPE 2 METAL <i>Deutz models</i>	

307.1 Batteries and Hydraulic Filters Installation
(continued)

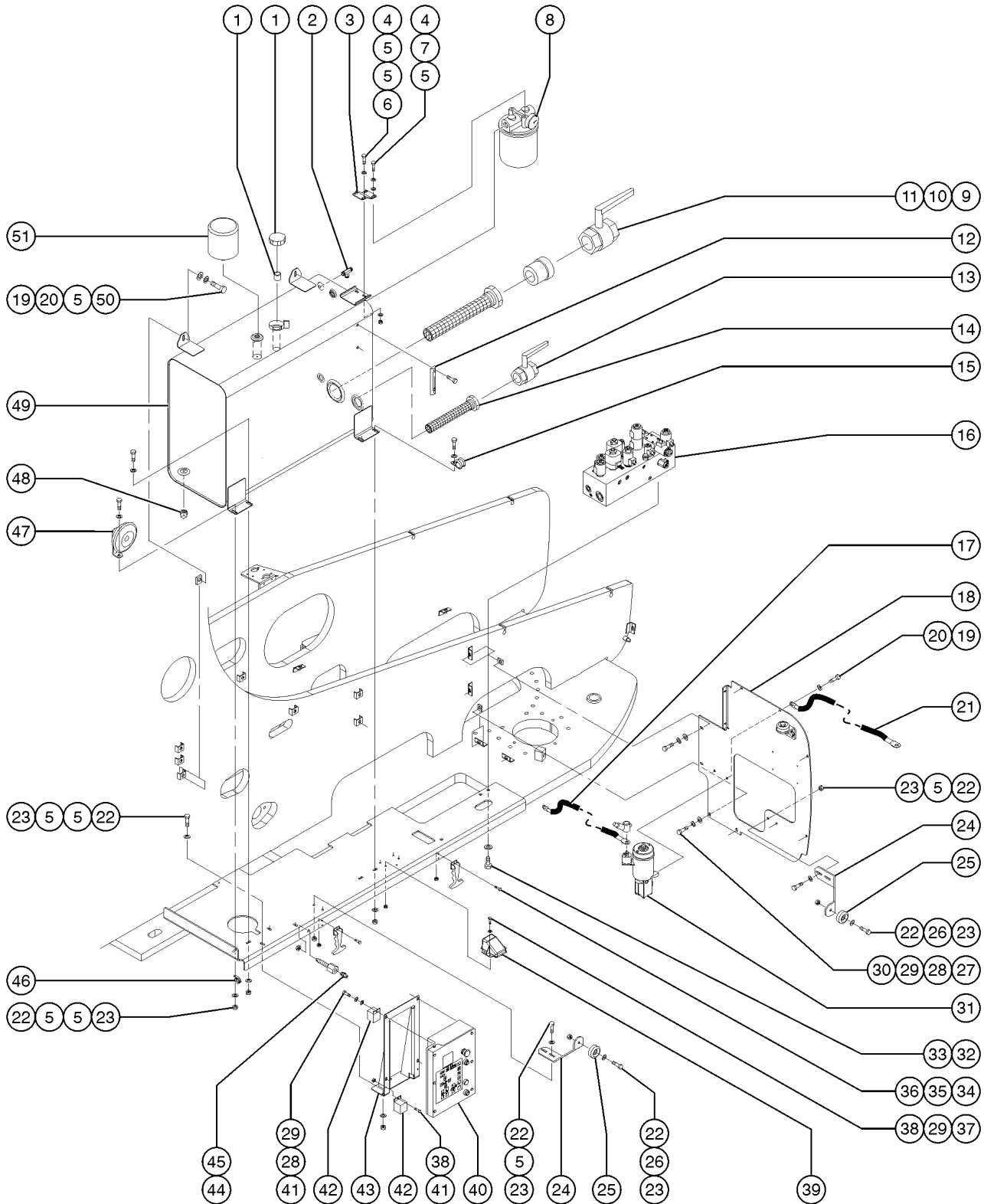
This Page Intentionally Left Blank

308.1 Fuel Tank Installation



Item	Part No.	Description	Qty.
1	60938	STRAP ASSY,FUEL TANK 52".....	2
--	31658	EXTRUSION,RUBBER BUMPER STRIP	
2	60890	SENDER,LOW FUEL INDICATOR.....	1
3	35418	HOSE,FUEL,3/16,SAE 30R7	
--	35418	HOSE,FUEL,3/16,SAE 30R7	
4	21465	CLAMP,HOSE,SIZE .25 TO .63.....	2
5	102106	FUEL RETURN,DAPCO 5/16".....	1
--	70387	FUEL RETURN,DAPCO 3/8"	
--	88091	FUEL RETURN,DAPCO 1/4"	
6	61240	BUSHING,FUEL TANK FITTING (SM).....	1
7	101726	CAP,FUEL,DIESEL,1/8"VENT(GRN),	1
8	61236	ASSEMBLY,FUEL TANK,40 GAL..... <i>includes items 2, 6, 19 and 20</i>	1
9	6888	SCREW,HHC,1/4-20 X 1	
10	6356	WASHER,LOCK,.25	
11	6638	WASHER,FLAT,USS,1/4"Y	
12	56912	SPRING CLIP,1/4-20,.025-.15X.5	
13	6054	NUT,HEX,3/8-24	
14	75554P	PLATE, FUEL TRAY BULKHEAD, PTD	
15	6019	SCREW,HHC,3/8-16 X 1.25 GRD 5	
16	6097	WASHER,FLAT,USS,3/8",Y	
17	4828	NUT,NYLOCK,3/8-16	
18	60584	GROMMET,RUBBER .75 X .19 X 1**	3
19	61235	BUSHING,FUEL TANK FITTING (LG).....	1
20	60805	TUBE ASSY,FUEL TANK,20.75"LG.....	1
21	42941	HOSE,3/8",FUEL,30R7	

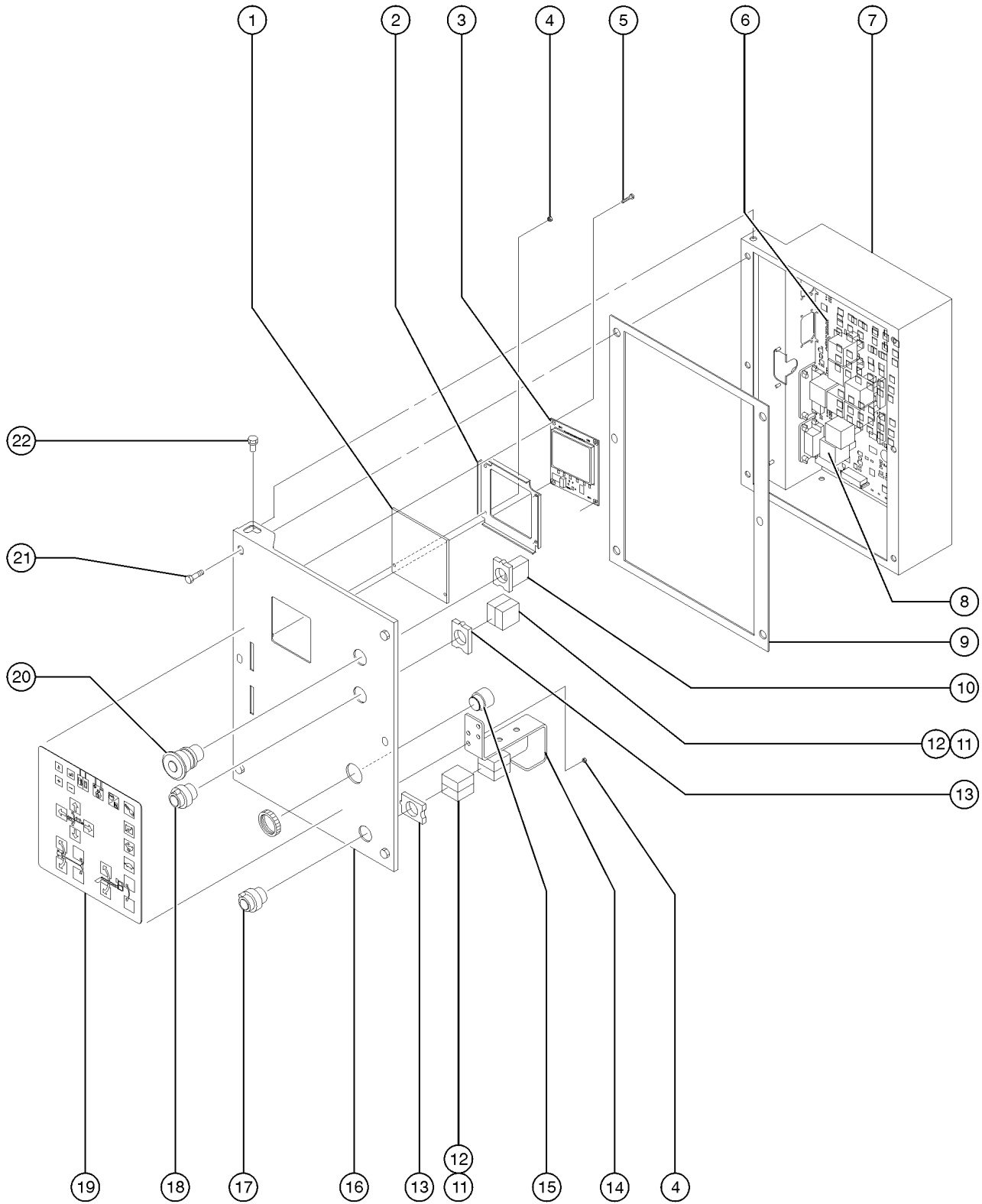
309.1 Hydraulic Tank Installation



309.1 Hydraulic Tank Installation

Item	Part No.	Description	Qty.	Item	Part No.	Description	Qty.
1	75113	FILLER NECK/CAP ASSY. HYD TANK.....	1	--	37191	GASKET, PUMP / MOTOR (36179)	
2	48918	TEE,RUN,520428-6.....	1	--	62412	SOLENOID,MOTOR START,60511,APU	
3	60936-S	BRACKET,RETURN FILTER.....	1	--	62413	MOTOR, 60511, APU, 12VDC	
4	10107	SCREW,HHC,5/16-18 X .75		--	62414	SEAL, SHAFT, 60511 APU	
5	5397	WASHER,FLAT,USS,5/16",Y		32	33987	SCREW,HHC,1/2-13 X 1, GR 5	
6	6782	NUT,NYLOCK,5/16-18		33	6033	WASHER,LOCK,0.5"	
7	6886	WASHER,LOCK,.313		34	75041	SCREW,PHILLIPS,PHM,10-32 X 1	
8	60508	FILTER,RETURN,ASSY 10 MICRON.....	1	35	45363	LATCH,FLEXIBLE.....	2
--	52768	GAUGE,MED.PRESSUR FILTER,50530		--	75076	KEEPER,LATCH (45363)	
--	61326	FILTER ELEMENT,10 MICRON,60508		36	6178	NUT,NYLOCK,10-32	
9	75256	VALVE BALL,24 FSAE-24 FSAE***		37	6090	SCREW,HHC,1/4-20 X .75	
10	75254	UNION,STR.THREAD 24***		38	6091	NUT,NYLOCK,1/4-20	
11	75257	STRAINER ASSY,#24 O-RING.....	1	39	50161	SENSOR,TILT TURNTABLE(PLSTC).....	1
12	215229	GAUGE,HYDRAULIC TANK T/L VL.....	1	40	Ref.	Ground Controls (refer to 310.1)	
13	48996	VALVE,BALL,16 MSAE-16 FSAE***		41	8914	SCREW,HHC,1/4-20 X .625	
14	75253	STRAINER ASSY,#16 O-RING.....	1	42	60521	RELAY,SEALED 30/40 AMP.....	2
15	60838	CLAMP,1.00,#16 X 7/16,RUB CUSH		43	60571-S	BRACKET,CNTL BOX MOUNTING.....	1
16	Ref.	Function Manifold (refer to 704.1)		44	28646	ZERK,GREASE,1/8 NPT.....	1
17	75409	BATTERY CABLE.....	1	45	48885	CONNECTOR,BULKHEAD,FEMALE-4.1	
18	75591	PLATE,SWING CHASSIS BULKHEAD.....	1	46	6833	CLAMP,0.50,#8 X 1/4,RUB CUSH	
19	6175	SCREW,HHC,3/8-16 X 1		47	81578	HORN,12VDC,SPADE TERMINALS***	
20	6021	WASHER,LOCK,.375		48	75014	PLUG,HEX,130109E,1/2 NPT***.....	1
21	75719	CABLE,GROUND,79" W/PIGTAIL....	1	--	75014	PLUG,HEX,130109E,1/2 NPT***	
22	4828	NUT,NYLOCK,3/8-16				Deutz models	
23	6019	SCREW,HHC,3/8-16 X 1.25 GRD 5		49	75645	TANK,HYDRAULIC,55 GALLON....	1
24	60727-S	FORMING,COVER STOP.....	2			includes item 1	
25	50974	BUMPER,RUBBER,COVERS.....	2	50	29868	SPRING CLIP,3/8-16	
26	6097	WASHER,FLAT,USS,3/8",Y		51	60559	BREATHER,RESERVOIR 3 MICRON***.....	1
27	6888	SCREW,HHC,1/4-20 X 1					
28	6356	WASHER,LOCK,.25					
29	6638	WASHER,FLAT,USS,1/4"Y					
30	56912	SPRING CLIP,1/4-20,.025-.15X.5					
31	102710	PUMP,AUXILIARY,DUAL,12V.....	1				
--	102659	PUMP,(102710 APU)					
--	37187	SEAL KIT, 37185 PUMP					

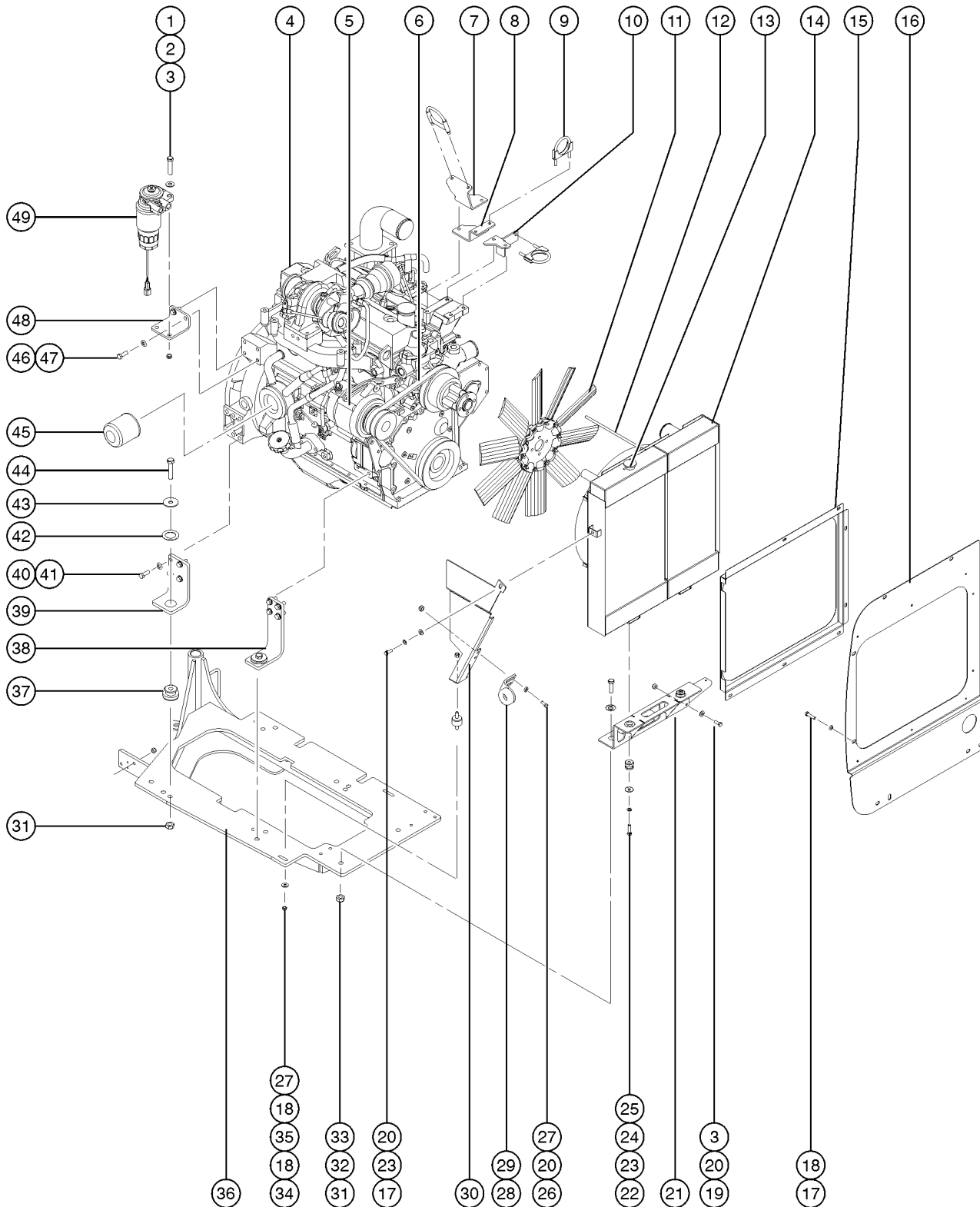
310.1 Ground Controls



310.1 Ground Controls

Item	Part No.	Description	Qty.	Item	Part No.	Description	Qty.
--	T109424	CONTROL BOX ASSY,TCON V3.12		--	66818	CONTACT,NC	
--	146191	HARNESS, TCON J2 LS 2009		21	7339	SCREW,HHC,1/4-20 X .5	
--	101888	HARNESS,TCON J5 POWER		22	88315	SCREW,SHS,1/4-20 X .25 ZINC	
--	121657	FUSE HOLDER,ATC 1-20 AMPS					
--	67505	FUSE,10 AMP,ATC					
1	62374	LENS,LCD,GRND.CONTROL.....1	1				
2	62375	CLIP,LCD,GRND.CONTROL.....1	1				
3	62376	PCB,ASSY,LCD,GROUND,SUPERBOOM.1	1				
4	12344	NUT,NYLOCK,6-32					
5	81551	SCREW,PHIL,PHM,6-32 X 1/4 SS					
6	T109430	KIT,PCB,ASSY,ECM,SB TCON V3.12					
7	58593	BOX,EMPTY (122915) <i>does not include items 9 or 16</i>					
8	34052	RELAY,SPDT,12V(AUTO) PLUG IN**8	8				
9	62378	GASKET,GROUND CNTRLS.SUPERBOOM.....1	1				
10	66812	BUTTON,PUSH,RED MUSHROOM HEAD.....1	1				
--	66818	CONTACT,NC					
--	66821	BASE,WITHOUT CONTACTS					
11	66816	CONTACT,N.O.....6	6				
12	66818	CONTACT,NC.....6	6				
13	66821	BASE,WITHOUT CONTACTS.....2	2				
14	94524	BRACKET,CONTACT CLAMP***1	1				
15	62379	ALARM,AUDIO,SUPERBOOM*.....1	1				
--	72326	NUT - PLASTIC,RING FOR ALARMS					
16	T108870	COVER, CONTROL BOX, SB SERV					
17	122516	KIT,RECOVERY SVC LARGE BOOMS.....1	1				
--	122366	KEYSWITCH,CONTACTS LOCK					
--	88150	KEYSWITCH,3 POS.MOM.DR,W/KEY**					
18	122517	KIT,KEYSWITCH SVC S100/120.....1	1				
--	122366	KEYSWITCH,CONTACTS LOCK					
--	66811	KEYSWITCH,3POS.MNTND.DR WKEY** <i>includes: keyswitch and one set of keys, not included: base and contacts.</i>					
19	50811	SWITCH,MEMBRANE,GROUND CONTROL.....1	1				
20	122519	KIT,ESTOP SVC LARGE BOOM.....1	1				

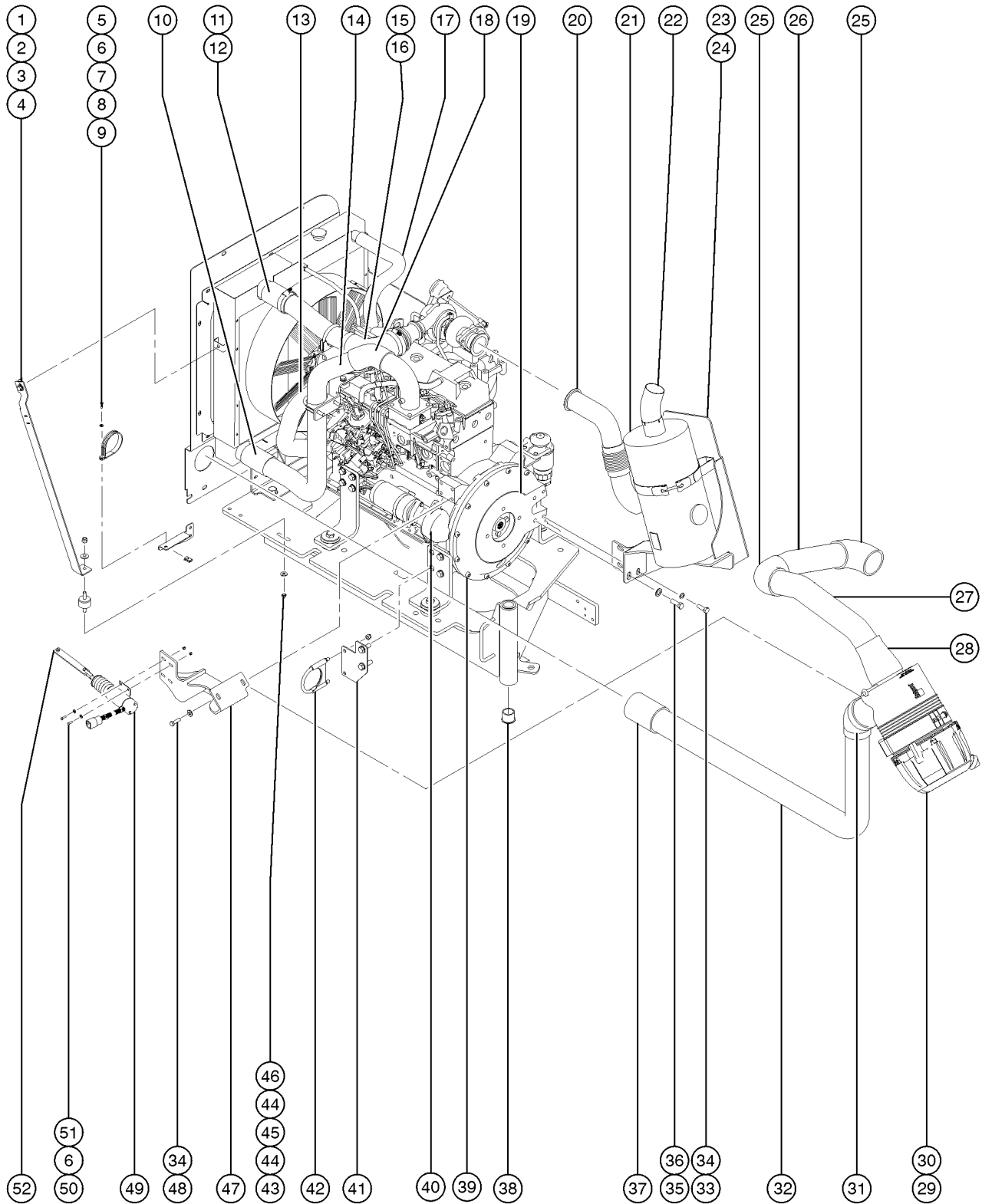
401.1 Cummins B3.3T Engine - View 1



401.1 Cummins B3.3T Engine - View 1

Item	Part No.	Description	Qty.	Item	Part No.	Description	Qty.
--	122877	HARNES, CUMMINS ENGINE T3		34	7713	NUT, LP NYLOCK, 3/8-16	
--	128829	CIRCUIT BRKR 15A TYPE 2 METAL		35	122428	MOUNT, 1" FLEX-BOLT SANDWICH.....	1
1	13000	SCREW, HHC, 5/16-18 X 1.25		36	Ref.	Ref. ENGINE TRAY.....	1
2	6638	WASHER, FLAT, USS, 1/4" Y				(refer to 403.1)	
3	6782	NUT, NYLOCK, 5/16-18		37	102045	ISOLATOR, ENGINE VIBRATION	
4	122402	ENGINE KIT, CUMMINS B3.3T.....	1	38	122409	FORMING, MOUNT, ENGINE, FRONT.2	
5	146046	ALTERNATOR.....	1	39	122410	FORMING, MOUNT, ENGINE, REAR.2	
6	146047	BELT.....	1	40	27584	SCREW, HHC, M12 X 35MM	
7	122625	BRACKET, SUPPORT, EXH. CUM T3.....	1	41	49410	WASHER, FLAT, M12	
8	122424	BRACKET, CAC 2 TUBING MOUNT.....	1	42	18596	WASHER, FLAT, 1.56 X 2.5 X .061	
9	71911	CLAMP, MUFFLER, 2.50 INCH.....	4	43	33418	WASHER, FLAT, .625 X 2.25 X .15	
10	122335	BRACKET, CAC INTAKE TUBE MOUNT.....	1	44	13004	SCREW, HHC, 5/8-11 X 3 GRD.8	
11	122438	FAN, 19.0", BREEZA.....	1	45	122708	OIL FILTER.....	1
12	30490	HOSE, 1/4 FUEL LINE, SAE 30R7.....	16-inches	46	27034	SCREW, HHC, M10 X 25MM, GR 8.8	
13	65473	CAP, RADIATOR, PERKINS/FORD....	1	47	22699	WASHER, FLAT, M10, ZINC PLTD.	
14	122404	ASSY, RAD/CAC, CUMMINS B3.3T.....	1	48	111639	FORMING, FUEL FILTER MOUNT...1	
15	122594	FORMING, BAFFLE BOX.....	1	49	122709	FUEL FILTER.....	1
16	128505	FORMING, ENGINE BAFFLE.....	1				
17	8255	SCREW, HHC, 3/8-16 X .75					
18	6097	WASHER, FLAT, USS, 3/8", Y					
19	13002	SCREW, HHC, 5/16-18 X 1 GR5					
20	5397	WASHER, FLAT, USS, 5/16", Y					
21	122415	WELDMENT, RADIATOR MOUNT, CUM.....	1				
22	8516	SCREW, HHC, 3/8-16 X 1.50, GR5					
23	6021	WASHER, LOCK, .375					
24	44714	WASHER, .375 X 1.25 X .100					
25	75259	ISOLATOR, CENTER BONDED					
26	6019	SCREW, HHC, 3/8-16 X 1.25 GRD 5					
27	4828	NUT, NYLOCK, 3/8-16					
28	50974	BUMPER, RUBBER, COVERS					
29	60729	FORMING, COVER STOP***					
30	122412	RADIATOR STRUT, RIGHT.....	1				
31	6024	NUT, NYLOCK, 5/8-11					
32	13064	WASHER, FLAT, .625 HARDENED					
33	29883	SCREW, HHC, 5/8-11 X 1.75 GRD.8					

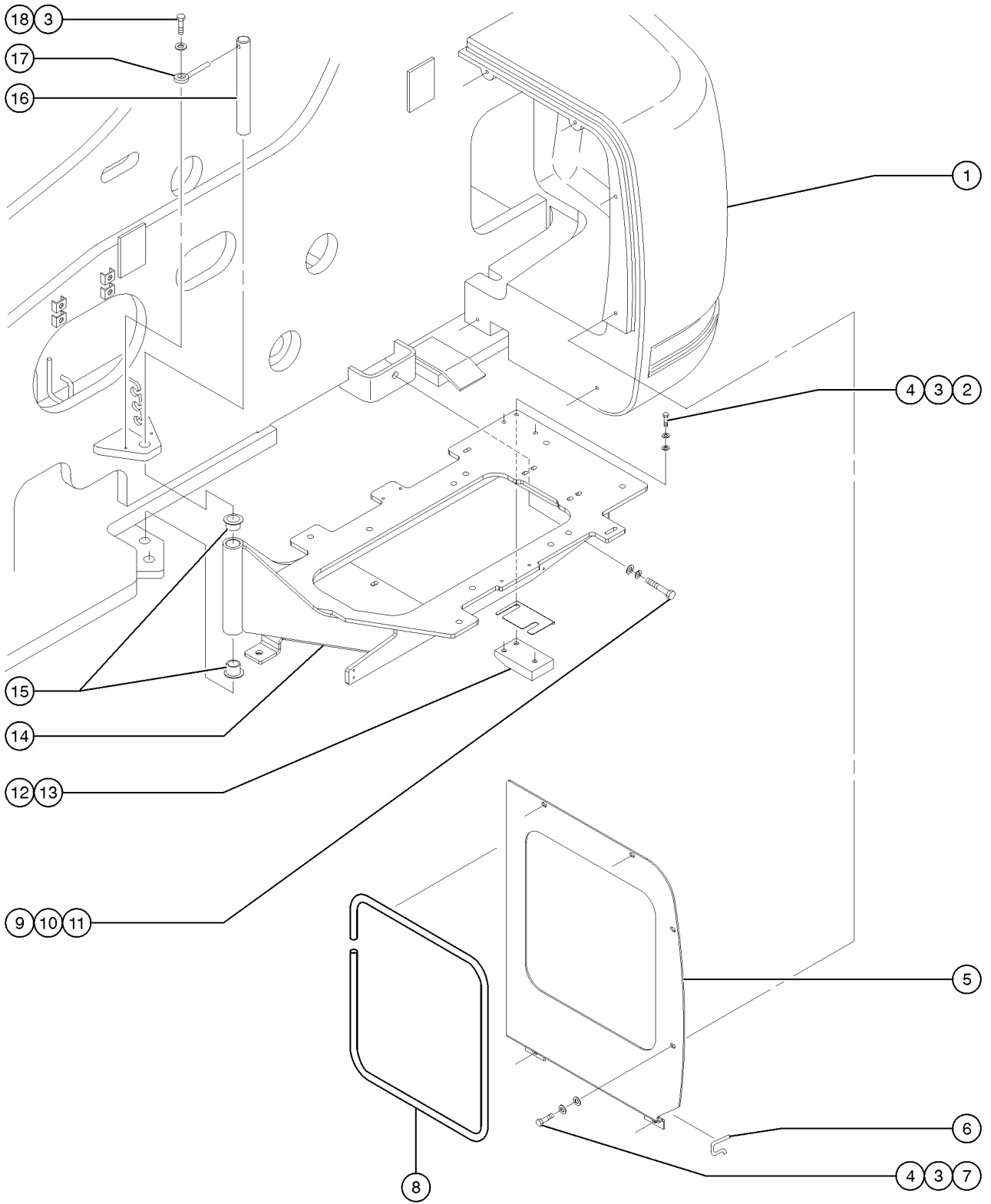
402.1 Cummins B3.3T Engine - View 2



402.1 Cummins B3.3T Engine - View 2

Item	Part No.	Description	Qty.	Item	Part No.	Description	Qty.
1	8255	SCREW,HHC,3/8-16 X .75		28	122432	REDUCER,RUBBER,4.0 X 3.0.....1	
2	6021	WASHER,LOCK,,.375		29	122466	AIR CLEANER,CUMMINS B3.3T.....1	
3	5397	WASHER,FLAT,USS,5/16",Y		--	146044	AIR FILTER, PRIMARY ELEMENT.....1	
4	122411	RADIATOR STRUT,LEFT.....1		--	146045	AIR FILTER, SECONDARY ELEMENT.....1	
5	6888	SCREW,HHC,1/4-20 X 1		30	122467	AIR CLEANER,CLAMP,CUM B3.3T.....1	
6	6638	WASHER,FLAT,USS,1/4"Y		31	122603	REDUCER,45 DEG, 3.75"-3.00".....1	
7	70257	CLAMP,3.0,#48 X 1/4,RUB CUSH		32	122602	TUBE,AIR INTAKE 1,CUM.B3.3T.....1	
8	122413	BRACKET,INTAKE TUBE SUPPORT.....1		33	22697	SCREW,HHC,M10 X 65MM,GR8.8	
9	56912	SPRING CLIP,1/4-20,.025-.15X.5		34	22699	WASHER,FLAT,M10,ZINC PLTD.	
10	122434	HOSE,CAC,2.5"ID X 4.0".....1		35	54177	SCREW,HHC,1/2-13 X 1.5 GRD 8	
11	122427	TUBE,CAC 1 CUM.B3.3T.....1		36	13066	WASHER,FLAT,.5 HARDENED	
12	122591	CLAMP,CONST TRQ 2.25"-3.13"OD		37	60596	HOSE INLET.....1	
13	122408	HOSE,LOWER RADIATOR,CUMMINS.....1		38	Ref.	BEARING (refer to 406.1)	
14	122425	TUBE,AIR INTAKE,UPPER.....1		39	61110	SCREW,SHC,M10X1.5X30 GR 12.9	
15	122435	REDUCER,90 DEG,CAC, 3.0"-2.5".....1		40	139798	STARTER, 12V, CUMMINS B3.3T	
16	122592	CLAMP,CONST TRQ 2.75"-3.63"OD		41	122423	BRACKET,INTAKE MOUNT,CUM.....1	
17	122407	HOSE,UPPER RADIATOR,CUMMINS.....1		42	122414	U-BOLT,GUILLOTINE,3"	
18	122433	ELBOW,45 DEG, CAC,2.5".....1		43	7713	NUT,LP NYLOCK,3/8-16	
19	70381	COVER,FLYWHEEL CASTING.....1		44	6097	WASHER,FLAT,USS,3/8",Y	
19A	122472	COUPLER,15 TOOTH,FBA,CUM B3.3T.....1		45	122428	MOUNT,1"FLEX-BOLT SANDWICH.....1	
20	122604	TUBE, EXHAUST CUMMINS B3.3T.....1		46	4828	NUT,NYLOCK,3/8-16	
21	70444	MUFFLER,2.5"INLET/OUTLET.....1 S12512D-369		47	146352	WLDT, AIR CLEANER/SOLENOID MNT	
--	823260	MUFFLER,2.5"INLET/OUTLET,9"DIA from SN S12511D-101 to S12512D-368		48	27034	SCREW,HHC,M10 X 25MM,GR 8.8	
22	122615	TUBE,EXHAUST CUMMINS T3.....1		49	101957	SOLENOID,THROTTLE,ASSY.TROMB..1	
23	122605	WLDT, MUFFLER BRKT, CUMMINS T3.....1		50	6090	SCREW,HHC,1/4-20 X .75	
24	122470	CLAMP,MUFFLER,CUM B3.3T S12512D-369		51	6091	NUT,NYLOCK,1/4-20	
--	823259	CLAMP,MUFFLER,CUM B3.3T, 9"DIA from SN S12511D-101 to S12512D-368		52	146306	THROTTLE LINK, STEEL.....1	
25	60561	ELBOW,INLET,CUMMINS.....1		--	21130	CLEVIS YOKE-1/4-28,PLTD W/PIN	
26	122614	TUBE,INTAKE,CUMMINS T3.....1					
27	122613	TUBE,INTAKE,CUMMINS T3.....1					

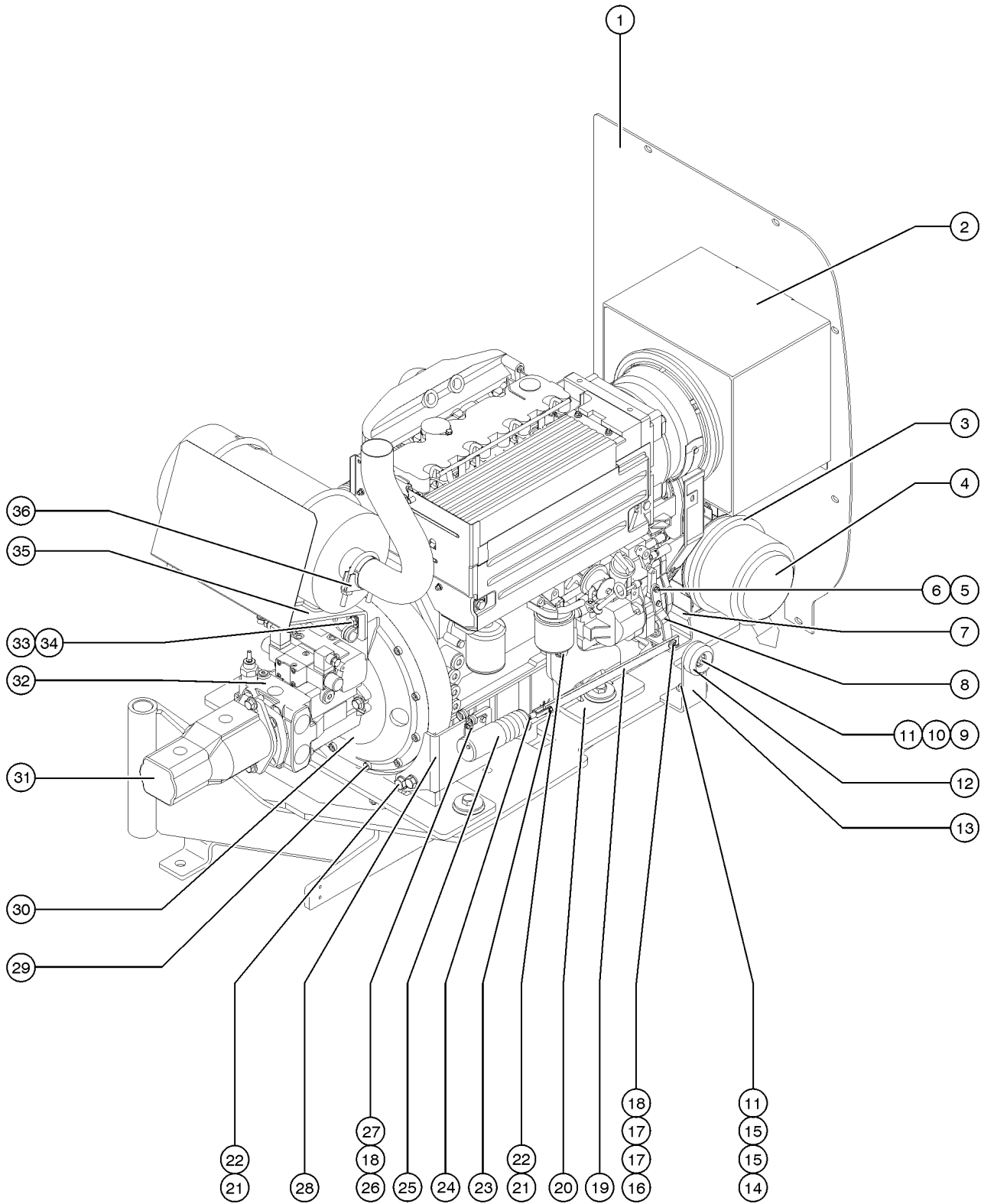
403.1 Cummins Engine Attached Components



403.1 Cummins Engine Attached Components

Item	Part No.	Description	Qty.
1	111185	COUNTERWEIGHT,S120/125, 8300LB	
--	38859	WASHER,FLAT,USS,1",Y	
--	61282	SCREW,HHC,1-8 X 9.5,GD2,YEL	
2	6019	SCREW,HHC,3/8-16 X 1.25 GRD 5	
3	6021	WASHER,LOCK, .375	
4	5397	WASHER,FLAT,USS,5/16",Y	
5	75607P	INTAKE BAFFLE,PAINTED.....1	
6	60875	TRIM MOLDING	
7	6175	SCREW,HHC,3/8-16 X 1	
8	81476	TRIMLOCK, 1/16.....96-inches	
9	51131	SCREW,HHC,5/8-11 X 2.5	
10	6036	WASHER,LOCK, .625 PLTD	
11	6035	WASHER,FLAT,USS,5/8",Y	
12	60637	WEAR PAD,ENGINE SUPPORT.....1	
13	60826	SHIM,WEAR PAD ENGINE TRAY	
14	146054	ENGINE TRAY ASSEMBLY	
15	35675	BEARING,FL,1.25IDX1.5ODX1.25L.2	
16	60625	PIN,1.25DIAX15.63LG,CHAMFER...1	
17	45226	ROD END, .375 X 3.69.....1	
18	8516	SCREW,HHC,3/8-16 X 1.50,GR5	

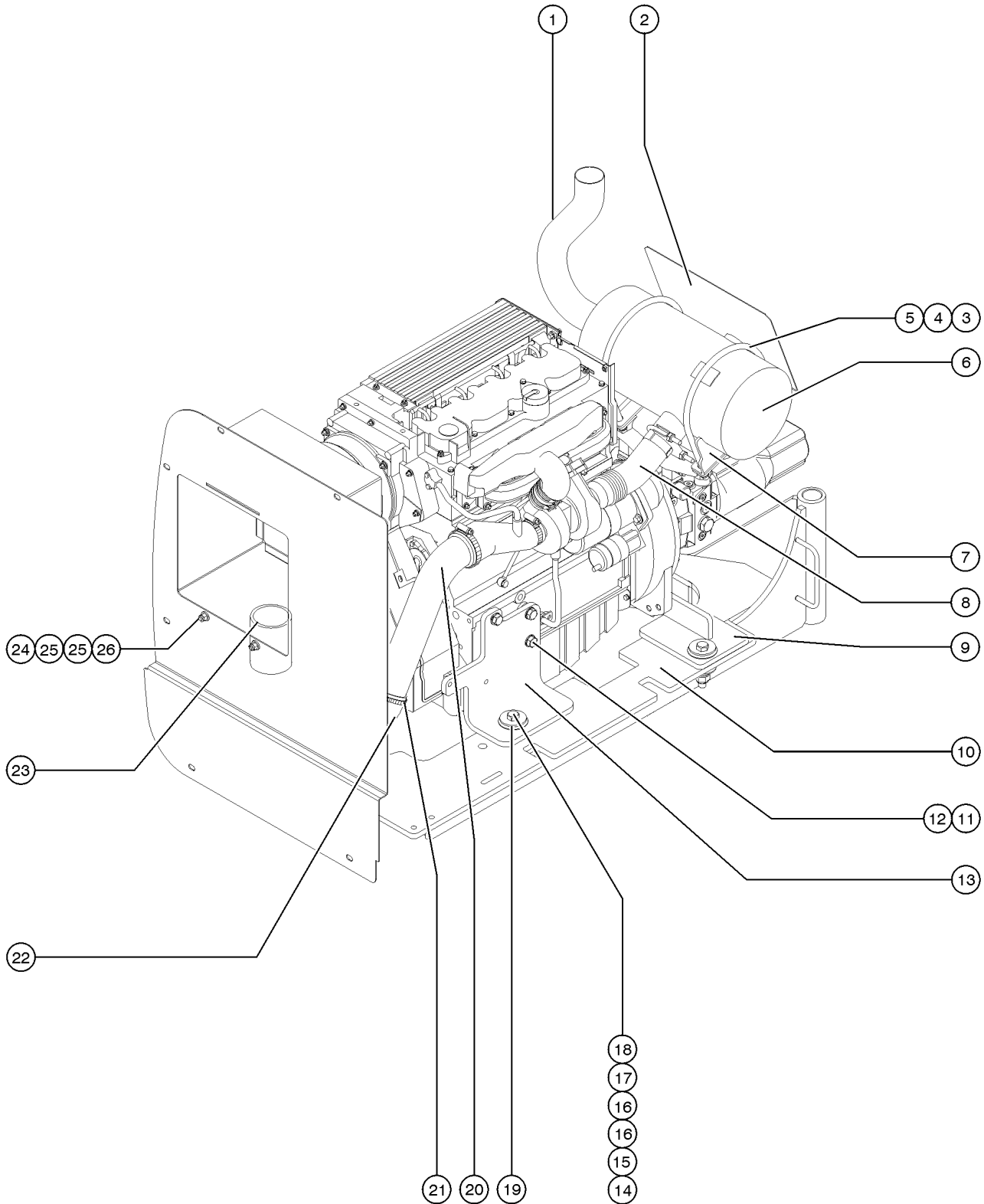
404.1 Deutz TD2011-L04i Engine - View 1



404.1 Deutz TD2011-L04i Engine - View 1

Item	Part No.	Description	Qty.	Item	Part No.	Description	Qty.
--	122875	HARN,ENGINE T3,DEUTZ BF4L2011		25	101957	SOLENOID,THROTTLE,ASSY.TROMB..1	
--	128829	CIRCUIT BRKR 15A TYPE 2 METAL		26	6091	NUT,NYLOCK,1/4-20	
--	139624	SWITCH, OIL PRESSURE 1.5 BAR.....1 <i>(replaced 65765)</i>		27	6888	SCREW,HHC,1/4-20 X 1	
--	139666	KIT,OP SWITCH,DEUTZ <i>(oil pressure kit for models with ALC-500 control system. replaces 65765. includes item 139624 and instructions)</i>		28	139321	FORMING, SOLENOID MOUNT***	
1	Ref.	BAFFLE,AIR INTAKE <i>(refer to 407.1)</i>		29	62476	SCREW,SHC,M10X1.5X20MM (75090)	
2	Ref.	AIR BOX ASSEMBLY <i>(refer to 407.1)</i>		30	128004	COUPLER,15 TOOTH,FBA,SAE8***	
3	81468	MOUNTING BAND,AIR CLEANER.....1		31	Ref.	Function Pump <i>(refer to 707.1)</i>	
4	81467	AIR CLEANER,NELSON.....1		32	Ref.	Drive Pump <i>(refer to 707.1)</i>	
--	62425	FILTER,AIR CLEANER, SUPERBOOM		33	85053	SCREW,HHC,M10 X 1.5 X70,GR 8.8	
5	22578	SCREW,HHC,M6 X 20MM,GR8.8		34	30489	CLAMP,HOSE,3.50.....3	
6	49407	WASHER,LOCK,M6		35	70448P	FORMING,MUFFLER MOUNT.....1	
7	102209P	FORMING,AIR CLEANER MOUNT PNTD.....1		36	71911	CLAMP,MUFFLER, 2.50 INCH.....2	
8	50787P	LEVER,GOVERNOR ACTUATOR,PTD***.....1					
9	6019	SCREW,HHC,3/8-16 X 1.25 GRD 5					
10	6097	WASHER,FLAT,USS,3/8",Y					
11	4828	NUT,NYLOCK,3/8-16					
12	50974	BUMPER,RUBBER,COVERS.....1					
13	60778P	FORMING,COVER STOP.....1					
14	8516	SCREW,HHC,3/8-16 X 1.50,GR5					
15	5397	WASHER,FLAT,USS,5/16",Y					
16	6584	SCREW,SHS,10-24 X .625					
17	6638	WASHER,FLAT,USS,1/4"Y					
18	5365	NUT,NYLOCK,10-24					
19	139322	THROTTLE LINKAGE, DSL					
20	70439P	FORMING,ENGINE MOUNT PAINTED.....1					
21	22558	SCREW,HHC,M14 X 40MM,GR 8.8					
22	49411	WASHER,FLAT,M14					
23	21130	CLEVIS YOKE-1/4-28,PLTD W/PIN.....1					
24	21496	NUT,HEX,1/4-28					

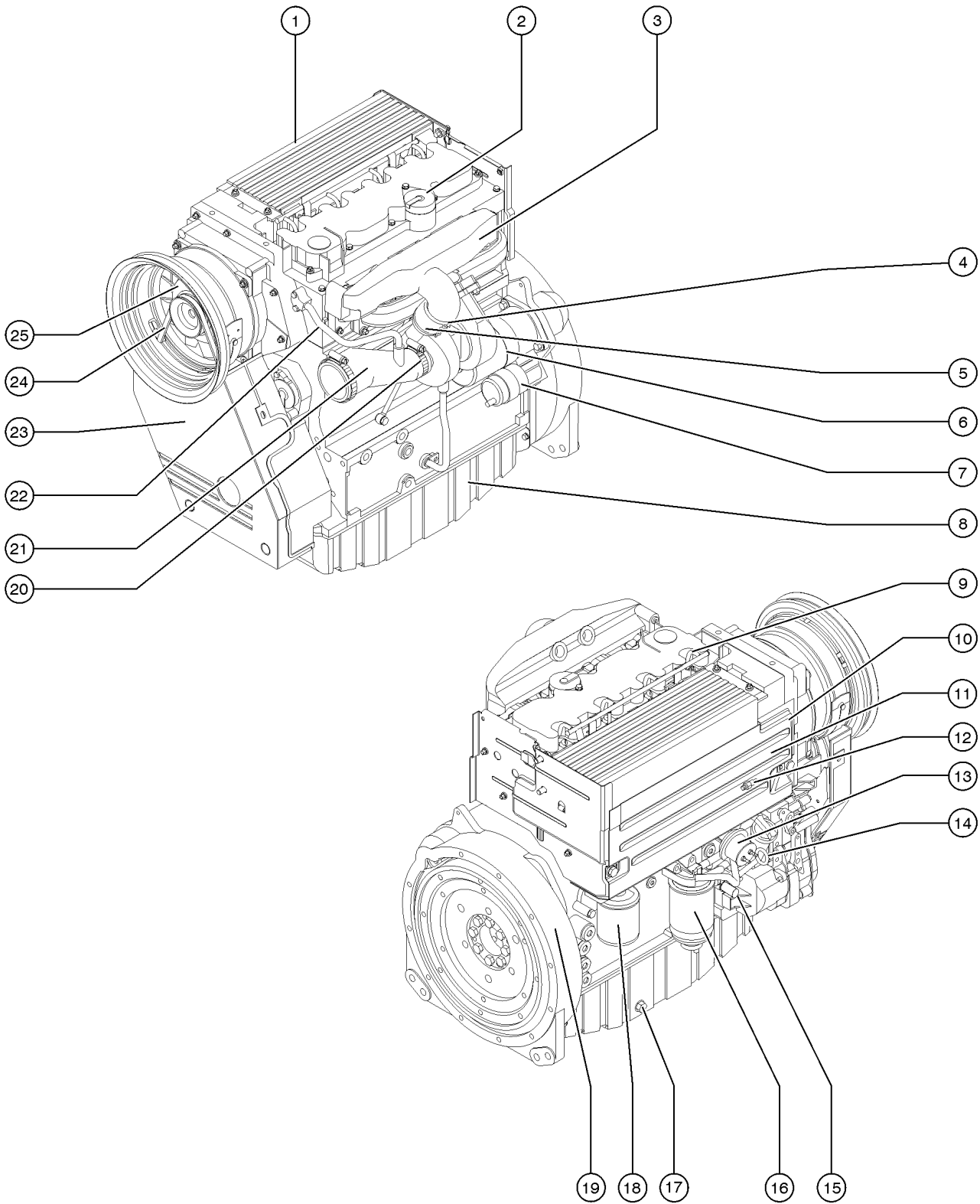
405.1 Deutz TD2011-L04i Engine - View 2



405.1 Deutz TD2011-L04i Engine - View 2

Item	Part No.	Description	Qty.
--	139983	EXHAUST PIPE GASKET	
1	70447	TAIL PIPE,DEUTZ.....	1
2	102237P	FORMING,HEAT SHIELD,MUFFLER.....	1
3	70449	U-BOLT,1/2-13 X 8.5	
4	13066	WASHER,FLAT,.5 HARDENED	
5	66777	NUT,TOP LOCK,1/2-13	
6	70444	MUFFLER,2.5"INLET/OUTLET.....	1
7	70483	FORMING,8.5' MUFFLER MOUNT.....	2
8	70445	FLEX PIPE,EXHAUST,2.5" DIA.....	1
9	70440	WELDMENT,REAR ENGINE MOUNT.....	1
10	Ref.	Engine Tray (refer to 407.1)	
11	22558	SCREW,HHC,M14 X 40MM,GR 8.8	
12	49411	WASHER,FLAT,M14	
13	70438P	FORMING,ENGINE MOUNT PAINTED.....	1
14	13003	SCREW,HHC,5/8-11 X 3.5 GRD.8...4	
15	33418	WASHER,FLAT,.625 X 2.25 X .15....4	
16	18596	WASHER,FLAT,1.56 X 2.5 X .061....8	
17	13064	WASHER,FLAT,.625 HARDENED....4	
18	6024	NUT,NYLOCK,5/8-11.....4	
19	102045	ISOLATOR,ENGINE VIBRATION....4	
20	102208	TUBE,AIR INTAKE,DEUTZ.....1	
21	30489	CLAMP,HOSE,3.50.....3	
22	139455	ELBOW,AIR INTAKE,RUBBER.....1	
23	106211-475	HOSE,RUBBER 3"ID X .25 BLACK.....	1
24	4828	NUT,NYLOCK,3/8-16	
25	5397	WASHER,FLAT,USS,5/16",Y	
26	6175	SCREW,HHC,3/8-16 X 1	

406.1 Deutz TD2011-L04i Engine - View 3



406.1 Deutz TD2011-L04i Engine - View 3

Item	Part No.	Description	Qty.	Item	Part No.	Description	Qty.
--	102581	PUMP,FUEL INJ,DEUTZ BF4L20 <i>class A injection pump; provide SN of engine to service to get correct injection pump (A, B, C, D)</i>		11	111445	SENDING UNIT,OIL TEMP SWCH,DTZ.....	1
--	T108732	PUMP,FUEL INJ, DEUTZ BF4L20 <i>class B injection pump; provide SN of engine to service to get correct injection pump (A, B, C, D)</i>		12	T114678	SHUTDOWN SOLENOID,12V, DEUTZ..... <i>(replaced 32752) (must order cable assembly, 58256, if replacing 32752) (does not include o-ring)</i>	1
--	T108733	PUMP,FUEL INJ, DEUTZ BF4L20 <i>class C injection pump; provide SN of engine to service to get correct injection pump (A, B, C, D)</i>		--	45782	DIODE,6 AMP,200 PIV,BULK	
--	T108734	PUMP,FUEL INJ, DEUTZ BF4L20 <i>class D injection pump; provide SN of engine to service to get correct injection pump (A, B, C, D)</i>		--	58256	SOLENOID CABLE ASSY***	
1	121340	ENGINE KIT, DEUTZ TD2011L04i		--	72255	CONNECTOR, DEUTZ FUEL SHUTOFF* <i>(does not include diode, 45782)</i>	
2	29557	CAP,OIL FILLER,DEUTZ,DIESEL***.....	1	13	58299	SENDING UNIT,OIL PRESS.,DEUTZ*.....	1
3	102590	EXHAUST MANIFOLD, DEUTZ F4L201.....	1	14	52352	DIPSTICK-F3L1011F (DEUTZ)	
--	29559	GASKET,EXHAUST		15	111668	PUMP,FUEL 2011 DEUTZ ***	
4	102593	CLAMP, 3 INCH.....	2	--	111402	O-RING, FUEL LIFT PUMP	
5	226106	RUBBER SLEEVES, TD 2011L04i		16	29560	FILTER,FUEL/WTR SEP, DTZ 1008..... <i>Genie Genuine Part. See PN 1254826 for compatible aftermarket replacement.</i>	1
6	139709	STARTER, 12V.....	1	--	1254826	FUEL FILTER W/SEP,DEUTZ,1008..... <i>Genie Aftermarket Part. Filter for Deutz F3L 1011F Engine.</i>	1
--	139621	KIT, HEAT GUARD, DEUTZ STARTER		--	58566	FILTER HEAD (29560)	
7	49915	SOLENOID-STARTR DEUTZF4L1011F*.....	1	17	102587	PLUG,ENGINE OIL,DEUTZ F4L2011.....	1
8	102586	OIL PAN,DEUTZ F4L2011.....	1	18	49924	FILTER,OIL,DEUTZ F4L1011F..... <i>GENIE GENUINE PART. SEE PN 1255653 FOR COMPATIBLE AFTERMARKET REPLACEMENT.</i>	1
9	102595	FUEL LINE-INJECTOR, DEUTZ BF4L.....	4	--	1255653	FILTER,OIL,DEUTZ,REPLACEMENT.1 <i>GENIE AFTERMARKET PART. COMPATIBLE WITH GENIE GENUINE PART 49924.</i>	1
--	102581	PUMP,FUEL INJ,DEUTZ BF4L20		19	102580	FLYWHEEL HOUSING DEUTZ F4L2011.....	1
--	102582	O-RING,FUEL INJEC PUMP DUTZ		20	30971	CLAMP,HOSE,3.00"	
--	102584	SEAL,INJECTOR,DEUTZ F4L2011		21	226103	INLET REDUCER, TD 2011L04i	
--	102592	FUEL LINE, DEUTZ F4L2011		22	226104	BREATHER PIPE, TD 2011L04i	
--	102596	CYLINDER HEAD CVR.DEUTZ BF4L20		--	226105	GASKET, BREATHER PIPE (226104)	
--	102597	GASKET,CYL.COVR. DEUTZ BF4L201		23	146061	V-BELT GUARD, DEUTZ 2011.....	1
--	88091	FUEL RETURN,DAPCO 1/4"		24	58630	V-BELT, DEUTZ TD2011LOAI	
--	89792	INJECTOR, FUEL(DEUTZ F3L2011F)					
10	102594	COVER, ENGINE,DEUTZ F4L2011.....	1				

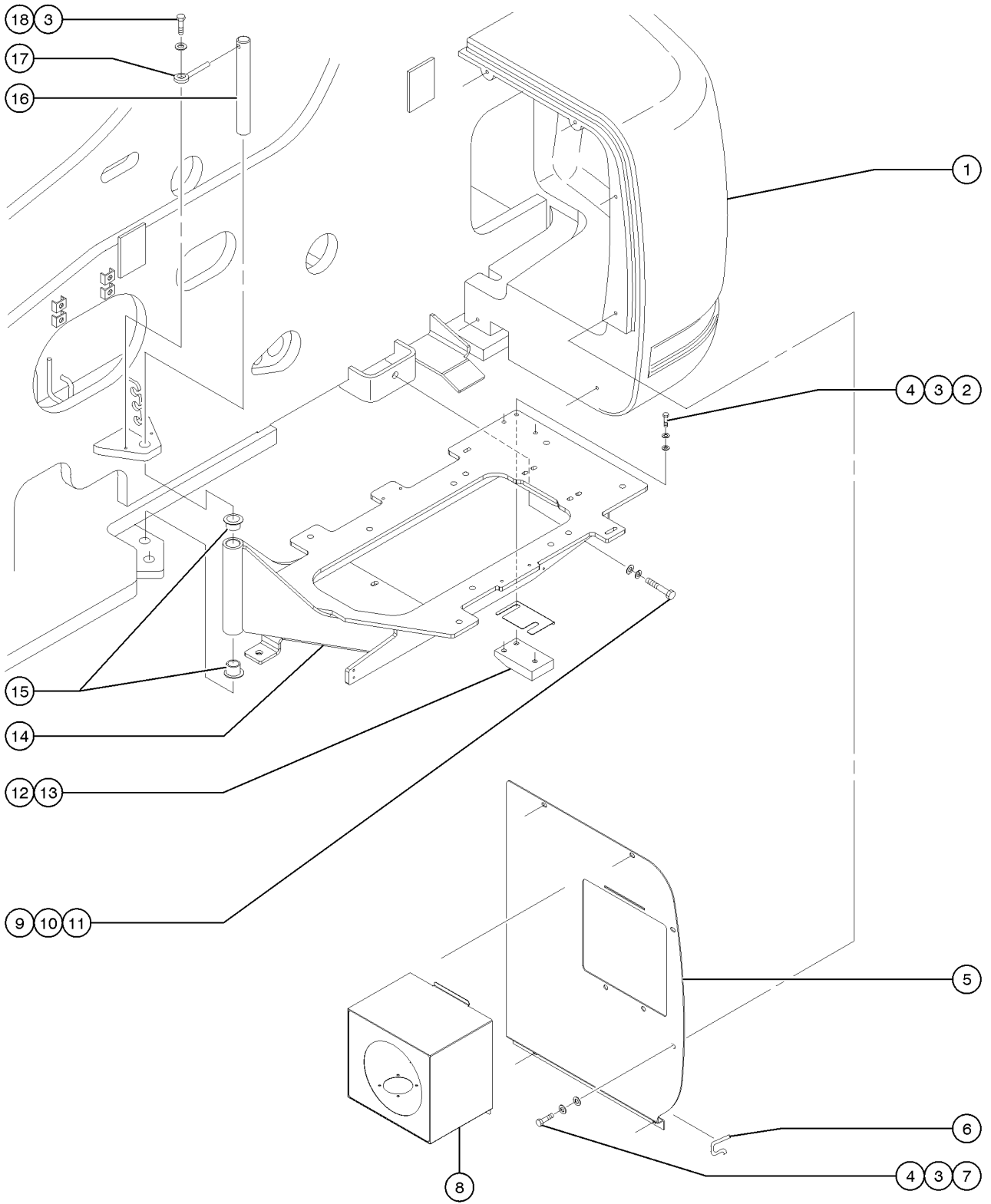


406.1 Deutz TD2011-L04i Engine - View 3
(continued)

Item	Part No.	Description	Qty.
25	58249	ALTERNATOR, DEUTZ,BF4L2011***	1

This Page Intentionally Left Blank

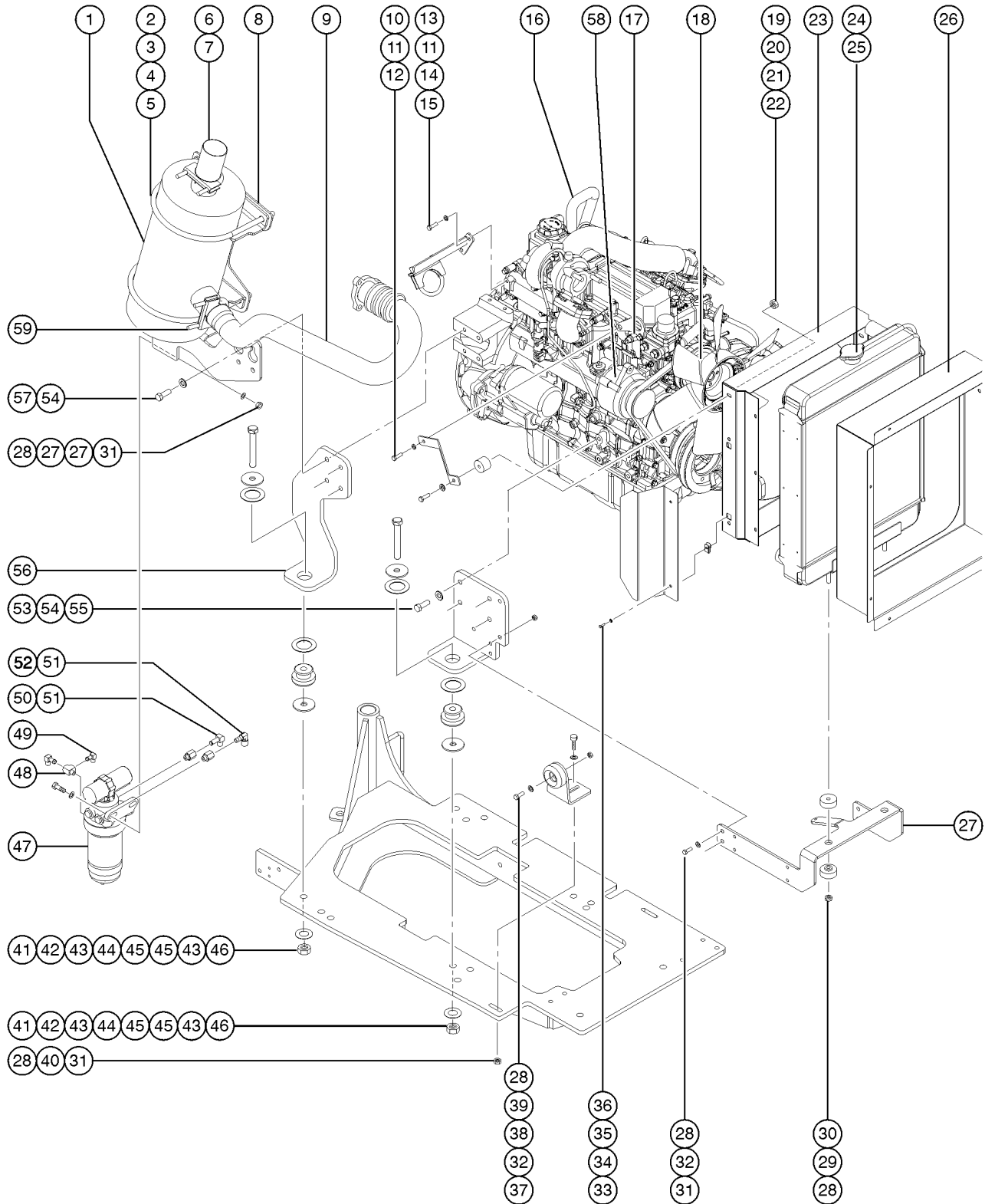
407.1 Deutz Engine Attached Components



407.1 Deutz Engine Attached Components

Item	Part No.	Description	Qty.
1	Ref.	Counterweight <i>(refer to 403.1)</i>	
2	6019	SCREW,HHC,3/8-16 X 1.25 GRD 5	
3	6021	WASHER,LOCK,.375	
4	5397	WASHER,FLAT,USS,5/16",Y	
5	102210P	BAFFLE,AIR INTAKE,DEUTZ PAINTD.....1	
6	60875	TRIM MOLDING	
7	6175	SCREW,HHC,3/8-16 X 1	
8	102218P	WELDMENT,AIR BOX,DEUTZ PAINTED	
9	51131	SCREW,HHC,5/8-11 X 2.5	
10	6036	WASHER,LOCK,.625 PLTD	
11	6035	WASHER,FLAT,USS,5/8",Y	
12	60637	WEAR PAD,ENGINE SUPPORT.....1	
13	60826	SHIM,WEAR PAD ENGINE TRAY	
14	146054	ENGINE TRAY ASSEMBLY	
15	35675	BEARING,FL,1.25IDX1.5ODX1.25L.2	
16	60625	PIN,1.25DIAX15.63LG,CHAMFER...1	
17	45226	ROD END,.375 X 3.69.....1	
18	8516	SCREW,HHC,3/8-16 X 1.50,GR5	

408.1 Perkins 804D-33T Engine - View 1



408.1 Perkins 804D-33T Engine - View 1

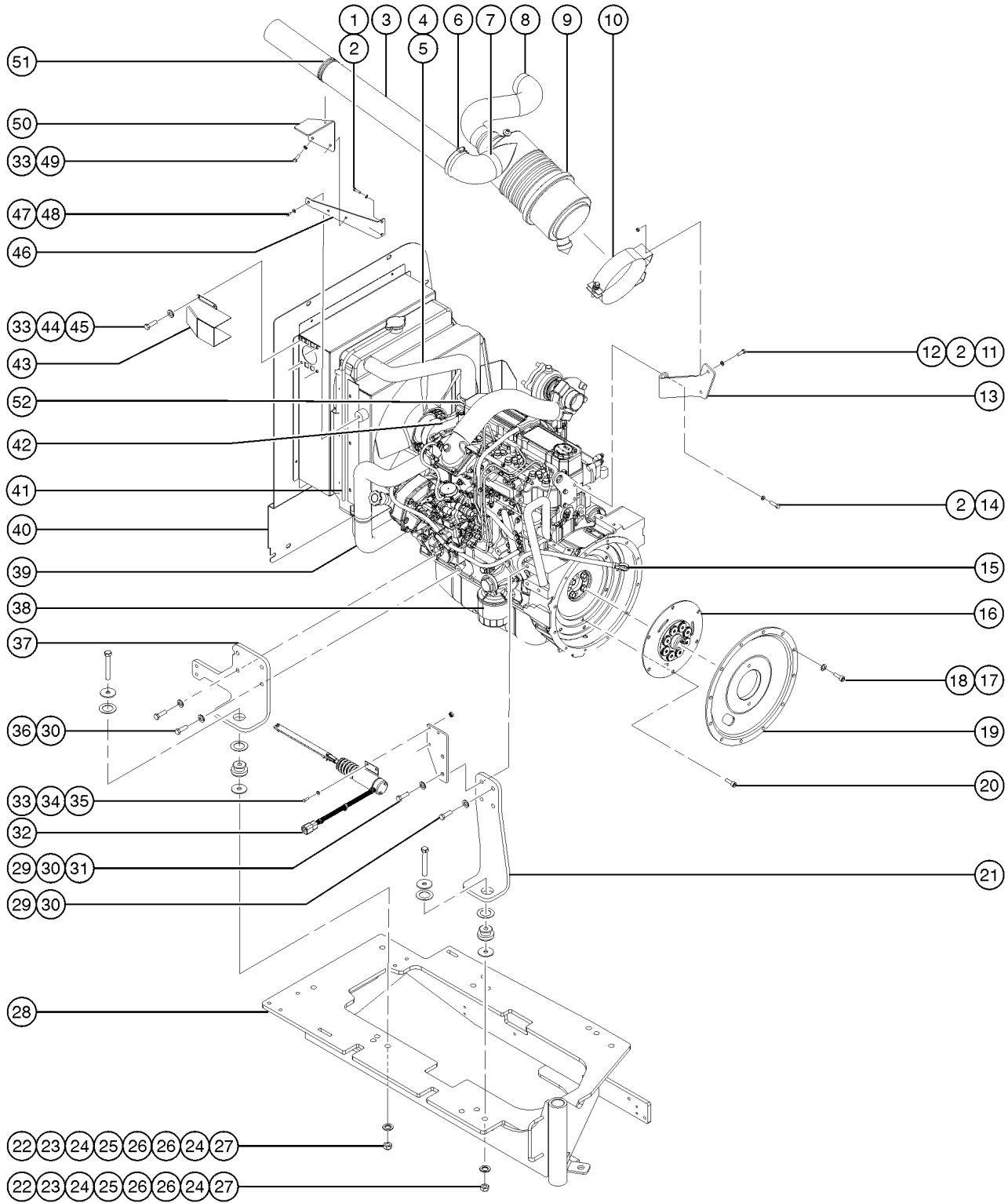
Item	Part No.	Description	Qty.	Item	Part No.	Description	Qty.
--	122593	HARNES,PERKINS 804D-33T		25	110304	RADIATOR,FORD/PERKINS***.....1	
--	128829	CIRCUIT BRKR 15A TYPE 2 METAL <i>from SN 2589</i>		26	128247	FORMING, FAN BAFFLE.....1	
--	139612	KIT CB 15A T2 RPM SOLENOID 3W <i>includes item 128829; to SN 2588</i>		27	101606P	BRACKET,RADIATOR SUPPORT PNTD.....1	
1	70444	MUFFLER,2.5"INLET/OUTLET.....1		28	4828	NUT,NYLOCK,3/8-16	
2	70449	U-BOLT,1/2-13 X 8.5		29	24038	SHOCK MOUNT,SMALL	
3	70483	FORMING,8.5' MUFFLER MOUNT		30	24037	SHOCK MOUNT,LARGE**	
4	13066	WASHER,FLAT,.5 HARDENED		31	8516	SCREW,HHC,3/8-16 X 1.50,GR5	
5	66777	NUT,TOP LOCK,1/2-13		32	6097	WASHER,FLAT,USS,3/8",Y	
6	94324	TUBE,RD,STL,ALUMIZD,2.5 X .065		33	6090	SCREW,HHC,1/4-20 X .75	
7	71911	CLAMP,MUFFLER, 2.50 INCH		34	6638	WASHER,FLAT,USS,1/4"Y	
8	122702	WLDT, MUFFLER BRKT, PERK T3.....1		35	139066	FORMING, BELT GUARD	
9	122701	WELDMENT, EXHAUST, 804T.....1		36	56912	SPRING CLIP,1/4-20,.025-.15X.5	
10	85064	SCREW,SHC,M8 X 1.25 X 16 MM		37	6019	SCREW,HHC,3/8-16 X 1.25 GRD 5	
11	49408	WASHER,LOCK,M8		38	50974	BUMPER,RUBBER,COVERS	
12	101604P	BRACKET,FAN SHROUD,RH,PAINTED		39	54363	BRACKET,RUBBER BUMPER,ENGCOVER <i>to SN 2668</i>	
13	23057	SCREW,HHC,M8 X 20MM		--	60778	FORMING,COVER STOP <i>from SN 2669</i>	
14	128280	WELDMENT, EXHAUST SUPPORT.....1 <i>to SN 2668</i>		40	5397	WASHER,FLAT,USS,5/16",Y	
15	71911	CLAMP,MUFFLER, 2.50 INCH <i>to SN 2668</i>		41	6024	NUT,NYLOCK,5/8-11	
16	128661	HOSE, CRANKCASE BREATHER.....1		42	13064	WASHER,FLAT,.625 HARDENED	
17	128638	SENSOR, TEMP. SENDER, M16X1.5.....1 <i>does not include 128801 or 128858</i>		43	33418	WASHER,FLAT,.625 X 2.25 X .15	
--	128801	O-RING, M16, ISO <i>order separately</i>		44	102045	ISOLATOR,ENGINE VIBRATION	
--	128858	WASHER, RETAINING, M16 <i>order separately</i>		45	18596	WASHER,FLAT,1.56 X 2.5 X .061	
18	75328	FAN,PULLER,PERKINS,1004-42.....1		46	13003	SCREW,HHC,5/8-11 X 3.5 GRD.8	
19	22571	NUT,HEX,M8 X 1.25		47	101644	FUEL LIFT PUMP/FILTER ASSY.....1	
20	60585	ISOLATOR,VIBRATION,M8 MALE/FEM		48	41468	TEE,BRASS STREET,.12 NPT.....1	
21	33277	WASHER,FLAT,M8,YELLOW ZINC		49	38922	ELBOW,90DEG.1/8MPT-5/16 BARB.....2	
22	101629	SCREW,HHC,M8 X 10MM		50	31817	ELBOW,90DEG.1/4MPT-3/8 BARB.....2	
23	101603P	SHROUD,FAN,PERKINS PAINTED.....1		51	101628	ADAPTER,1/4 FNPT X 1/2-20 UNF.....2	
24	65473	CAP,RADIATOR,PERKINS/FORD....1		52	54205	HOSE END,BARB,1/4 MNPTX5/16,90.....1	
				53	27584	SCREW,HHC,M12 X 35MM.....14	
				54	49410	WASHER,FLAT,M12	
				55	128243	WELDMENT, ENGINE MNT, RF.....1	
				56	128242	ENGINE MOUNT, RR.....1	
				57	27584	SCREW,HHC,M12 X 35MM	

408.1 Perkins 804D-33T Engine - View 1
(continued)

Item	Part No.	Description	Qty.
58	146048	ALTERNATOR	
59	71911	CLAMP,MUFFLER, 2.50 INCH <i>from SN 2669</i>	

This Page Intentionally Left Blank

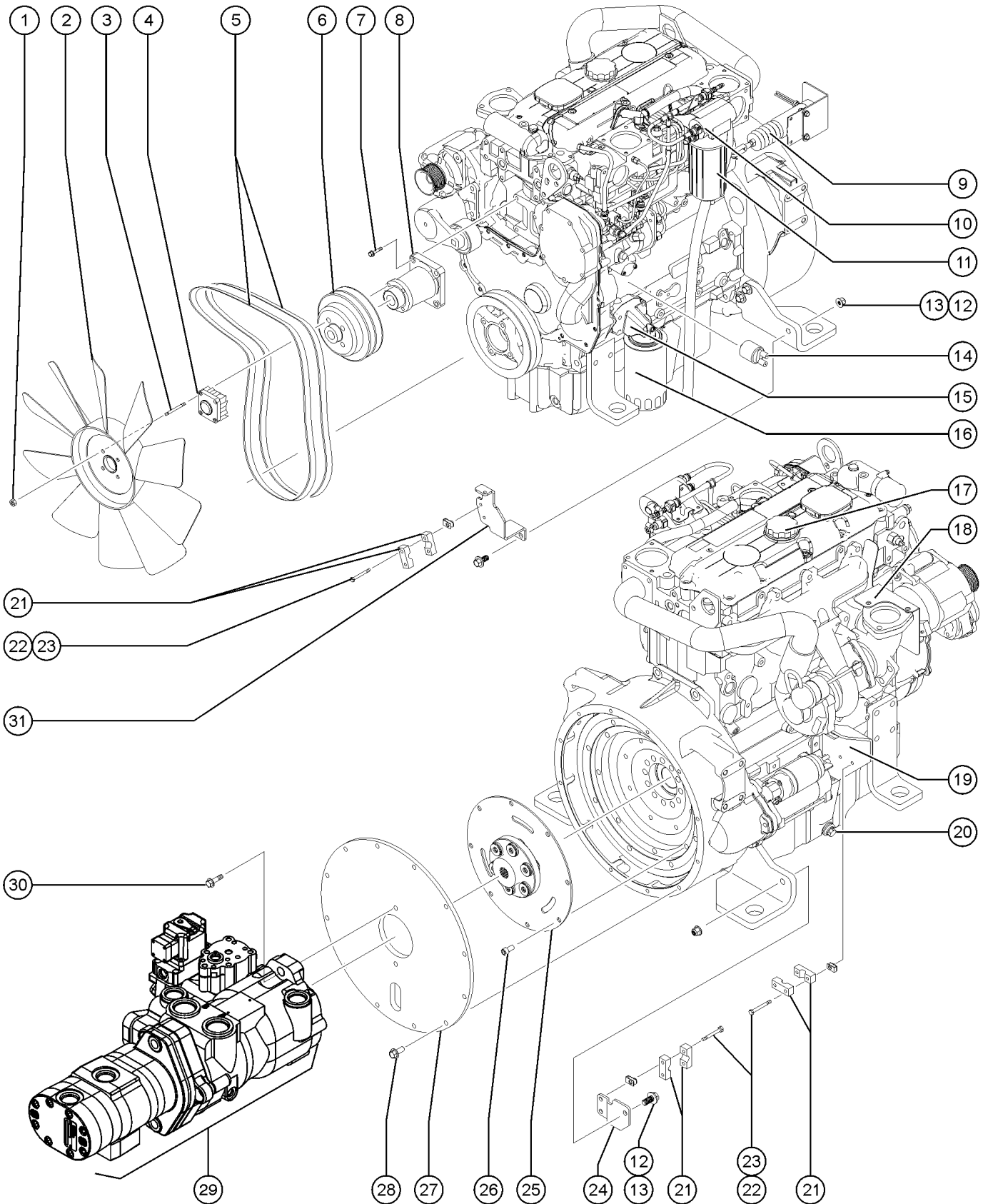
409.1 Perkins 804D-33T Engine - View 2



409.1 Perkins 804D-33T Engine - View 2

Item	Part No.	Description	Qty.	Item	Part No.	Description	Qty.
1	23057	SCREW,HHC,M8 X 20MM		--	60526	LOCK,RECEP 4 WAY,12-14GA	
2	49408	WASHER,LOCK,M8		--	60757	PLUG,SEAL,12-18 GA	
3	81738-3300	TUBE,RD,STL 3 X 18GA ALUMINIZD.....	1	--	6578	CABLE TIE,7 3/8"	
4	101601	HOSE,RADIATOR,UPPER,PERKINS.1		--	73711	TERM,DEUTSCH, PIN #12-14	
5	35434	CLAMP,HOSE,2.00***		--	89998	KIT,SERVICE,SOLENOID MODULE	
6	30489	CLAMP,HOSE,3.50		33	6090	SCREW,HHC,1/4-20 X .75	
7	60561	ELBOW,INLET,CUMMINS.....	1	34	6638	WASHER,FLAT,USS,1/4"Y	
8	128207	HOSE, AIR INTAKE, 804T.....	1	35	6091	NUT,NYLOCK,1/4-20	
9	81467	AIR CLEANER,NELSON.....	1	36	27584	SCREW,HHC,M12 X 35MM.....	14
10	81468	MOUNTING BAND,AIR CLEANER.....	1	37	128245	ENGINE MOUNT, LF.....	1
11	49378	SCREW,HHC,M8 X 16		38	101613	ELEMENT,OIL FILTER,PERKINS***	1
12	6091	NUT,NYLOCK,1/4-20		39	101602	HOSE,RADIATOR,LOWER,PERKINS.1	
13	128248	FORMING, FILTER SUPPORT.....	1	40	128250	FORMING, ENGINE BAFFLE.....	1
14	49379	SCREW,HHC,M8 X 1.25 X 25		41	106226-4000	TUBING, VINYL, 1/2" CLEAR.....	1
15	128424	ASSEMBLY, DIPSTICK TUBE.....	1	42	226060	PUMP,WATER,PERKINS 804D-33T	
16	128004	COUPLER,15 TOOTH,FBA,SAE8***	1	--	226061	GASKET-PUMP WATE,PERK 804D-33T	
17	27034	SCREW,HHC,M10 X 25MM,GR 8.8		43	128249	FORMING, INTAKE DUCT.....	1
18	22699	WASHER,FLAT,M10,ZINC PLTD.		44	14295	WASHER,SHIM,.265 X .5 X .030	
19	61781	CASTING,SAE 4 PUMP MOUNT,MACHI.....	1	45	56912	SPRING CLIP,1/4-20,.025-.15X.5	
20	62476	SCREW,SHC,M10X1.5X20MM (75090)		46	128246	BRACKET, FAN SHROUD, LH.....	1
21	128244	ENGINE MOUNT, LR.....	1	47	101629	SCREW,HHC,M8 X 10MM	
22	6024	NUT,NYLOCK,5/8-11		48	33277	WASHER,FLAT,M8,YELLOW ZINC	
23	13064	WASHER,FLAT,.625 HARDENED		49	6638	WASHER,FLAT,USS,1/4"Y	
24	33418	WASHER,FLAT,.625 X 2.25 X .15		50	128421	FORMING, INTAKE TUBE MNT.....	1
25	102045	ISOLATOR,ENGINE VIBRATION		51	70257	CLAMP,3.0,#48 X 1/4,RUB CUSH	
26	18596	WASHER,FLAT,1.56 X 2.5 X .061		52	226127	THERMOSTAT, 180 DEG.F	
27	13003	SCREW,HHC,5/8-11 X 3.5 GRD.8		--	226128	GASKET, (226127)	
28		Ref. ENGINE TRAY (refer to 416.2).....	1				
29	60868	SCREW,HHC,M12 X 45					
30	49410	WASHER,FLAT,M12					
31	128554	PLATE, SOLENOID MOUNT.....	1				
32	101957	SOLENOID,THROTTLE,ASSY.TROMB.					
--	128555	THROTTLE, LINKAGE					
--	53471	WIRE LOOM,3/8 NYLON,HI TEMP					
--	60525	CONN,RECEP 4 WAY,12-14GA					

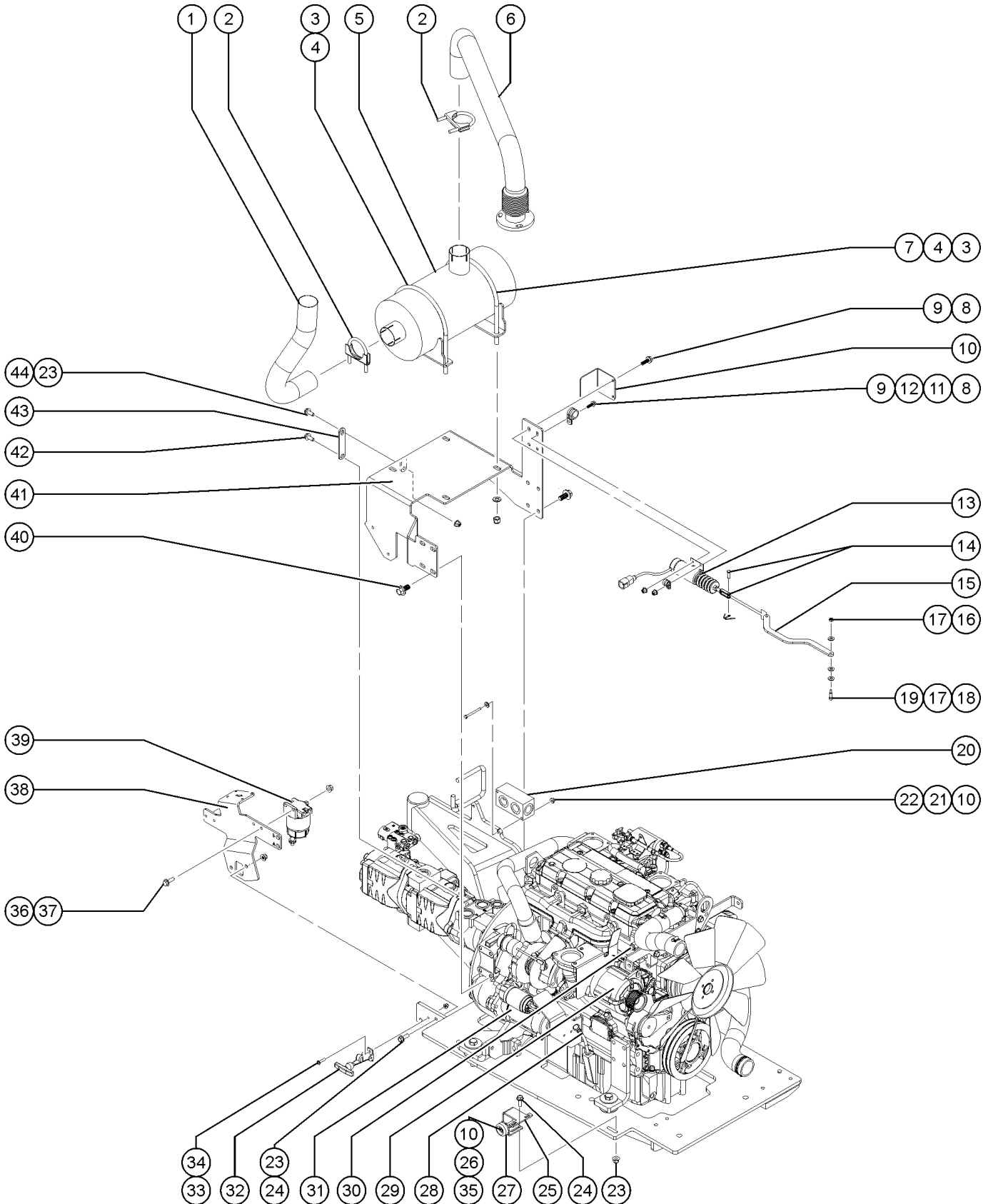
410.1 Perkins 1104D-44T Engine - View 1



410.1 Perkins 1104D-44T Engine - View 1

Item	Part No.	Description	Qty.	Item	Part No.	Description	Qty.
1	75326	NUT,FAN BLADE,PERKINS 1004-42		31	217457	FORMING, BATTERY CABLE MOUNT.....	1
2	75328	FAN,PULLER,PERKINS,1004-42.....	1				
3	75327	STUD,FAN SPACR,PERKINS 1004-42.....	4				
4	130187	FAN SPACER,PERKINS,1.5".....	1				
5	102598	BELT,V,(2) PERKINS 1104C-44..... <i>Serviced in pairs</i>	2				
6	75330	PULLEY,FAN,PERKINS 1004-42.....	1				
7	75304	SCREW,PERKINS 1004-42.....	4				
8	123351	FAN DRIVE HOUSING.....	1				
9	REF.	THROTTLE SOLENOID ASSY, TROMB..... <i>(Refer to 402.1)</i>	1				
10	102638	ADAPTER-FUEL FILTER, PERK 1104					
11	102639	FILTER,FUEL, PERKINS 1104C					
12	231529	NUT,FLANGE,NYLOCK,M10,G10,Z					
13	231533	SCREW, HHF, M10-1.5X35,DIN6921					
14	102348	SENDING UNIT,OIL PRESS PERKINS.....	1				
15	102633	ADAPTER-OIL FILTER, PERK 1104.....	1				
16	102632	FILTER,OIL,PERKINS 1104C-44.....	1				
17	T114346	CAP,VALVE COVER,OIL FILLER,PRK					
18	216286	FORMING, HEAT SHIELD, 1104D-44.....	1				
19	217459	FORMING,BATTERY CABLE,STARTER.....	1				
20	75342	PLUG,ENGINE OIL,PERKIN 1004-42.....	1				
21	217460	CLAMP,BATTERY CABLE.....	6				
22	216597	SCREW,HHF,M6 X 50,G10,YZ					
23	230073	SPRING CLIP,M6-1.0,0.8-4MM PAN					
24	217458	FORMING, BATTERY CABLE GUIDE.....	1				
25	216564	FLYWHEEL, COUPLER 15 TOOTH SAE.....	1				
26	217232	SCREW,SHC,3/8-24 X .75,BO.....	8				
27	60322	PLATE,PUMP MOUNT.....	1				
28	231530	SCREW,HHF,M10-1.5X25,DIN6921,1.12					
29	REF.	PUMP, DRIVE, AND FUNCTION, <i>(Refer to 707.1)</i>					
30	1253498	SCREW,HHF,1/2-13X1.5,8,ZAG.....	2				

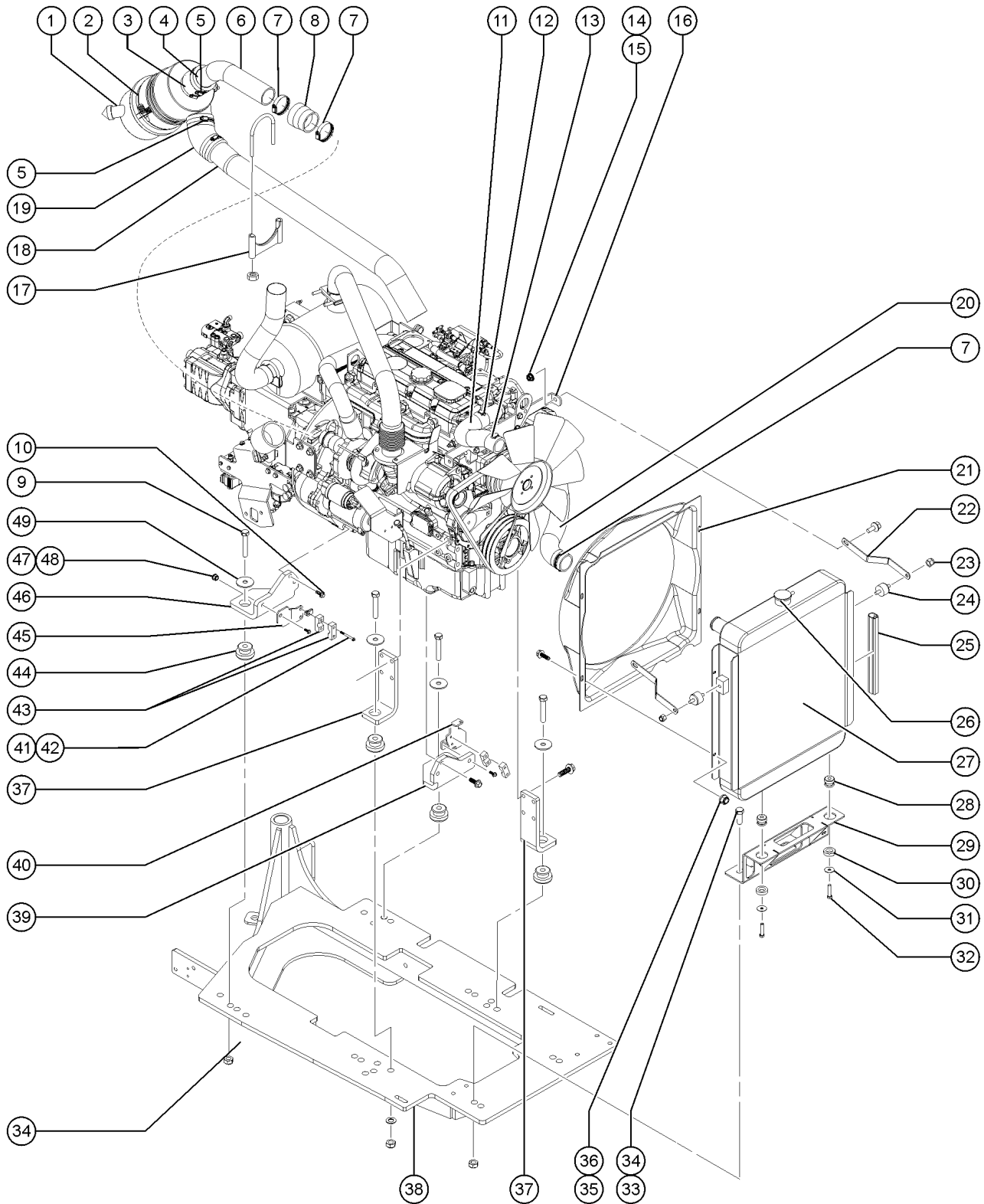
411.1 Perkins 1104D-44T Engine - View 2



411.1 Perkins 1104D-44T Engine - View 2

Item	Part No.	Description	Qty.	Item	Part No.	Description	Qty.
1	215496	TAIL PIPE,PERKINS 1104.....	1	31	102634	STARTER,PERKINS 1104C-44.....	1
2	71911	CLAMP,MUFFLER, 2.50 INCH		32	45363	LATCH,FLEXIBLE.....	1
3	70449	U-BOLT,1/2-13 X 8.5.....	2	33	826516	SCREW, PHPM, 10-32 X 1.0, ZAG	
4	70483	FORMING,8.5' MUFFLER MOUNT.....	2	34	824032	NUT,TL FLG,10-32,F,ZAG	
5	70444	MUFFLER,2.5"INLET/OUTLET.....	1	35	4828	NUT,NYLOCK,3/8-16.....	1
--	101634	MUFFLER,CATALYTIC,2.5 I/O		36	824133	SCREW,HHF,M8-1.25X25,DIN6921,1	
6	215500	WELDMENT,HEADER PIPE, PERKINS.....	1	37	237832	NUT,TL,FLG,M8-1.25,DIN6927,10,	
7	1251997	NUT,TL FLG,1/2-13,G,ZAG		38	215517	FORMING,CHARGE FILTER MOUNT.....	1
8	231532	SCREW,HHF,M6X20,DIN6921,10.9,Y		39	75020	SEPRTR/FLTR,FUEL DSL,15GPH,.30.....	1
9	231513	NUT,TL FLG,M6-1.0,DIN6927,10,Z		--	62433	FILTER,ELEMENT,30 MIC,75020	
10	6097	WASHER,FLAT,USS,3/8",Y.....	1	40	231087	SCREW,HHF,M12 X 1.75 X 25	
11	67897	CLAMP,0.56,#9 X 3/8,RUB CUSH....	1	41	215509	WELDMENT, MUFFLER MOUNT....	1
12	61109	CLAMP,1.25,#20 X 7/16,RUB CSH.....	2	42	1253498	SCREW,HHF,1/2-13X1.5,8,ZAG	
13	101957	SOLENOID,THROTTLE,ASSY.TROMB..	1	43	215510	PLATE,PUMP STRUT.....	1
14	21130	CLEVIS YOKE-1/4-28,PLTD W/PIN.....	1	44	231530	SCREW,HHF,M10-1.5X25,DIN6921,1	
		<i>Includes clevis, pin and cotter pin</i>					
15	216758	THROTTLE LINKAGE, PERKINS 1104.....	1				
16	5365	NUT,NYLOCK,10-24					
17	822955	WASHER,FLAT,NYLON.257X.5X.032					
18	6584	SCREW,SHS,10-24 X .625.....	1				
19	15436	WASHER,FLAT,NYLON.25 X.68 X.03					
20	236240	MANIFOLD, RETURN BLOCK.....	1				
21	825355	WASHER,FLAT,M6,DIN125,ZAB					
22	1251902	SCREW,HHC,M6-1.0X80,DIN931,10.9,ZAB					
23	231529	NUT,FLANGE,NYLOCK,M10,G10,Z					
24	231533	SCREW, HHF, M10-1.5X35,DIN6921					
25	1257924	FORMING,COVER STOP,SB.....	1				
26	6019	SCREW,HHC,3/8-16 X 1.25 GRD 5					
27	50974	BUMPER,RUBBER,COVERS.....	1				
28	130341	DIPSTICK,OIL,PERKINS 1104C-44T.....	1				
--	123081	ASSY / OIL TUBE <i>Includes tube and nut only</i>					
29	102646	ALTERNATOR,PERKINS 1104C-44.....	1				
30	34058	SENDING UNIT,TMP,FRD,GM,PRK704.....	1				

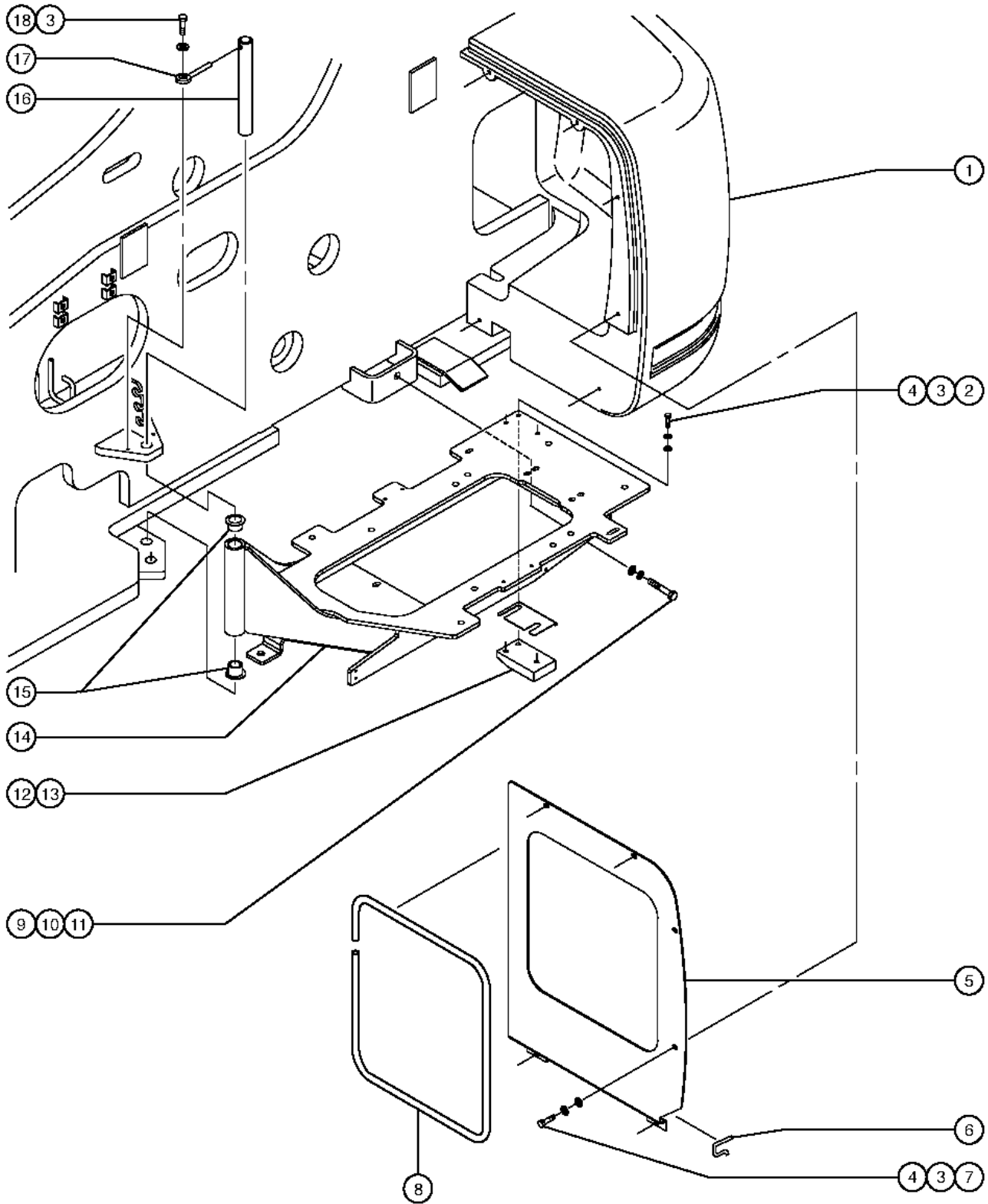
412.1 Perkins 1104D-44T Engine - View 3



412.1 Perkins 1104D-44T Engine - View 3

Item	Part No.	Description	Qty.	Item	Part No.	Description	Qty.
1	81467	AIR CLEANER,NELSON.....	1	34	1251893	NUT,TL,FLG,M16-2.0,DIN6927,10,ZAB	
2	81468	MOUNTING BAND,AIR CLEANER.....	1	35	231513	NUT,TL FLG,M6-1.0,DIN6927,10,Z	
3	106211-300	HOSE,RUBBER 3"ID X .25 BLACK.....	1	36	231532	SCREW,HHF,M6X20,DIN6921,10.9,Y	
4	101640	REDUCER,RUBBER 3.0 - 2.5.....	1	37	60564	BRACKET,ENG.MOUNT,FRT.PERKINS.2	
5	30489	CLAMP,HOSE,3.50.....	2	38	REF.	WELDMENT, ENGINE TRAY (Refer to 403.1)	
6	215511	TUBE,INTAKE, FILTER TO TURBO.....	1	39	101930	MOUNT,PERKINS 1104 LF***	1
7	45435	CLAMP,HOSE,2.50"***	4	40	217457	FORMING, BATTERY CABLE MOUNT.....	1
8	215918	REDUCER, RUBBER, 2.5 TO 2.25.....	1	41	216597	SCREW,HHF,M6 X 50,G10,YZ	
9	1251897	SCREW,HHF,M16-2.0X90,DIN6921,10.9,ZAB.4		42	230073	SPRING CLIP,M6-1.0,0.8-4MM PAN	
10	231511	SCREW,HHF,M12-1.75X35,DIN6921,		43	217460	CLAMP,BATTERY CABLE.....	4
11	60576	RADIATOR HOSE,UPPER-PERKINS.....	1	44	217500	ISOLATOR, ENGINE VIBRATION....	4
12	35434	CLAMP,HOSE,2.00"***	1	45	217458	FORMING, BATTERY CABLE GUIDE.....	1
13	22672	CLAMP,HOSE,1.75.....	1	46	101931	MOUNT, PERKINS 1104 RH***.....	1
14	231529	NUT,FLANGE,NYLOCK,M10,G10,Z		47	231529	NUT,FLANGE,NYLOCK,M10,G10,Z	
15	232874	SCREW, HHF, M10-1.5X30,DIN6921		48	231533	SCREW, HHF, M10-1.5X35,DIN6921	
16	215515	FORMING,RADIATOR SUPPORT...1		49	824123	WASHER,FLAT,.625X2.25X.188,ZAG.4	
17	122414	U-BOLT,GUILLOTINE,3".....	1				
18	1253600	TUBE, AIT SUCTION, DIESEL, T4.....	1				
19	61270	ELBOW,45 DEG,INLET.....	1				
20	75555	RADIATOR HOSE,LOWER-PERKINS.....	1				
21	60649	SHROUD,FAN (FIBERGLASS).....	1				
22	215516	PLATE,RADIATOR,STRUT.....	2				
23	824029	NUT,TL FLG,3/8-16,G,ZAG					
24	75260	ISOLATOR,FLEX-BOLT SANDWICH***	2				
25	60875	TRIM MOLDING					
26	65473	CAP,RADIATOR,PERKINS/FORD....	1				
27	70518	RADIATOR.....	1				
28	75259	ISOLATOR,CENTER BONDED.....	2				
29	75297	WELDMENT,RADIATOR MOUNT**	1				
30	75274	TUBE,RADIATOR MOUNT.....	2				
31	824122	WASHER,FLAT,.375X1.25X.062,ZAG					
32	824093	SCREW,HHF,3/8-16X1.75,8,ZAG					
33	1251894	SCREW,HHF,M16-2.0X45,DIN6921,10.9,ZAB					

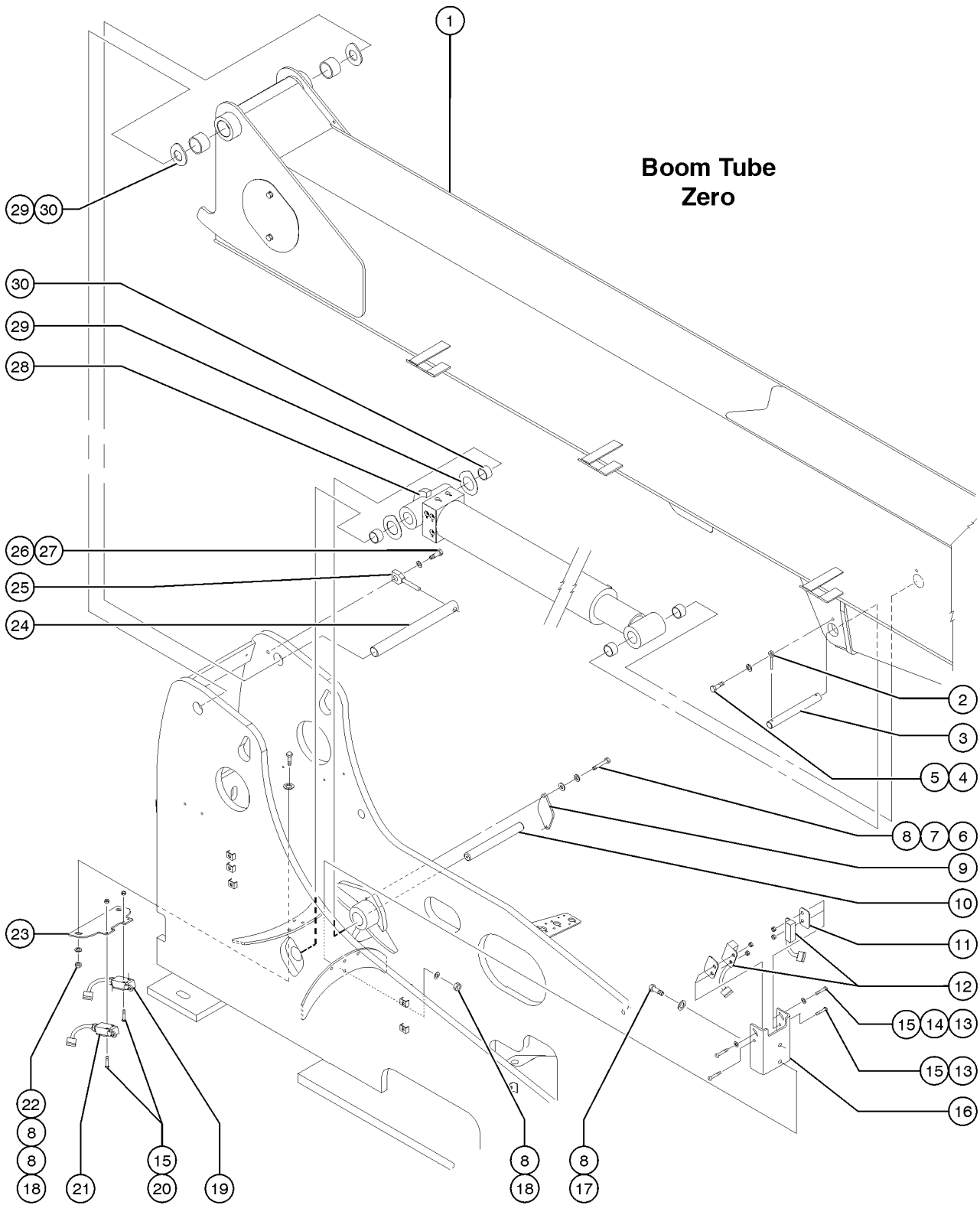
413.1 Perkins Engine Attached Components



413.1 Perkins Engine Attached Components

Item	Part No.	Description	Qty.
--		Ref. Hydraulic Oil Cooler (refer to 307.1)	
1		Ref. Counterweight, Front (refer to 408.1)	
2	6019	SCREW,HHC,3/8-16 X 1.25 GRD 5	
3	6021	WASHER,LOCK,,375	
4	5397	WASHER,FLAT,USS,5/16",Y	
5	75607P	INTAKE BAFFLE,PAINTED.....1	
6	60875	TRIM MOLDING	
7	6175	SCREW,HHC,3/8-16 X 1	
8	60875	TRIM MOLDING.....66-inches	
9	51131	SCREW,HHC,5/8-11 X 2.5	
10	6036	WASHER,LOCK,,625 PLTD	
11	6035	WASHER,FLAT,USS,5/8",Y	
12	60637	WEAR PAD,ENGINE SUPPORT.....1	
13	60826	SHIM,WEAR PAD ENGINE TRAY	
14	75460	ENGINE TRAY PIVOT ASSEMBLY.....1 <i>includes item 15; to SN 772</i>	
--	146054	ENGINE TRAY ASSEMBLY <i>includes item 15; from SN 2553</i>	
--	89511-S	ENGINE TRAY ASSEMBLY <i>includes item 15; from SN 773 to 2552</i>	
15	35675	BEARING,FL,1.25IDX1.5ODX1.25L.2	
16	60625	PIN,1.25DIAX15.63LG,CHAMFER...1	
17	45226	ROD END,,375 X 3.69.....1	
18	8516	SCREW,HHC,3/8-16 X 1.50,GR5	

501.1 Boom Lift Cylinder

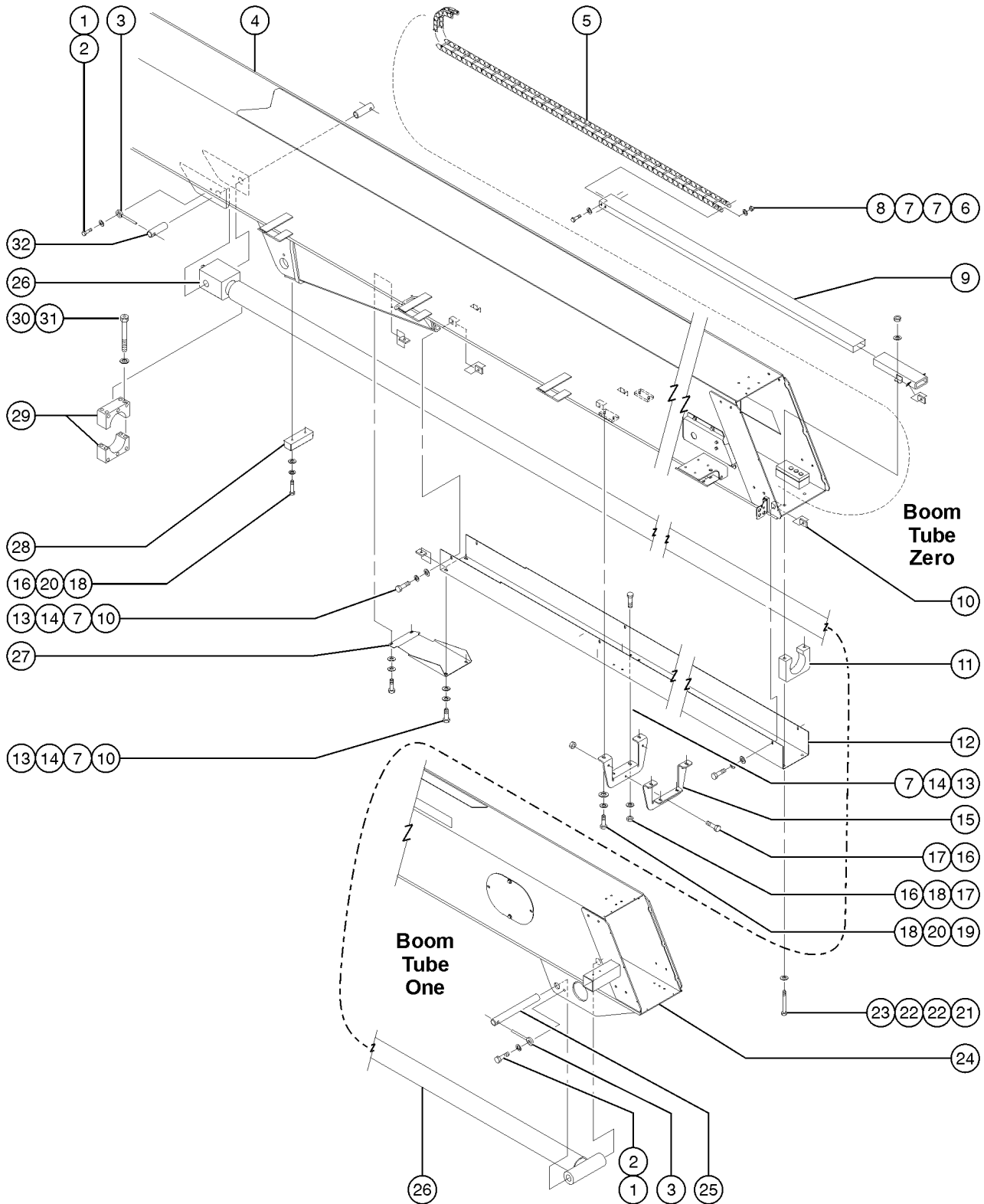


Boom Tube
Zero

501.1 Boom Lift Cylinder

Item	Part No.	Description	Qty.	Item	Part No.	Description	Qty.
1	111409	BOOM TUBE ASSY #0 S120 W/WORD <i>includes item 30; USA/Canada/Australia</i>		--	60984	VALVE,COUNTERBAL.CBBD-LJN@5000.2 <i>use on retract side, V2</i>	
--	111410	BOOM TUBE ASSY #0 S120 W/SYM <i>includes item 30; Europe/Asia/South America</i>		--	61602	VALVE,COUNTERBAL.CBBB-LHN@3500 <i>use on extend side, V3</i>	
--	227158	BOOM TUBE ASSY #0 S125 W/WORD <i>includes item 30; USA/Canada/Australia</i>		--	62449	SEAL KIT,SUN "CWCA" CB VALVES*	
--	227159	BOOM TUBE ASSY #0 S125 W/SYM <i>includes item 30; Europe/Asia/South America</i>		--	65792	SEAL KIT CYL.S100/120 (50078)	
2	30418	ROD END,.50 X 4.....	3	--	75064	VALVE,COUNTERBAL.CWCG-LGN@5000.1 <i>use on extend side, V1</i>	
3	60297	PIN,2.50DIAX11.00LG,1HOLE.....	1	29	60302	SHIM,BOOM PIVOT	
4	8177	SCREW,HHC,1/2-13 X 1.5		30	34131	BEARING,2.50IDX3.00ODX2.00L....	6
5	6033	WASHER,LOCK,0.5"					
6	5224	SCREW,HHC,3/8-16 X 2					
7	6021	WASHER,LOCK,.375					
8	5397	WASHER,FLAT,USS,5/16",Y					
9	146089	PLATE, PIN RETAINER					
10	146091	PIN,2.50DIAX19.875LG,THREADED					
11	61233	SHIM,PROX SWITCH.....	2				
12	60987	SWITCH,LIMIT,PROX(OPERATIONAL).	2				
13	49816	SCREW,PHILLIPS,PHM,10-32 X .75					
14	6146	WASHER,FLAT,MS,#10,Y					
15	6178	NUT,NYLOCK,10-32					
16	61185	FORMING,LIMIT SWITCH MOUNT.....	1				
17	8516	SCREW,HHC,3/8-16 X 1.50,GR5					
18	4828	NUT,NYLOCK,3/8-16					
19	75032	LIMIT SWITCH,SAFETY.....	1				
20	51063	SCREW,PHILLIPS,RHM,10-32 X 1.5					
21	75033	LIMIT SWITCH,OPERATIONAL.....	1				
22	6019	SCREW,HHC,3/8-16 X 1.25 GRD 5					
23	146093	PLATE, LIMIT SWITCH MOUNT					
24	61340	PIN,PRI.BOOM PIVOT. 2.50X25.50.....	1				
25	61341	ROD END,.75 X 5.00.....	1				
26	34348	SCREW,HHC,3/4-10 X 3 GRD.8					
27	34550	WASHER,LOCK,.75 PLTD					
28	146324	CYLINDER, PRIMARY LIFT					

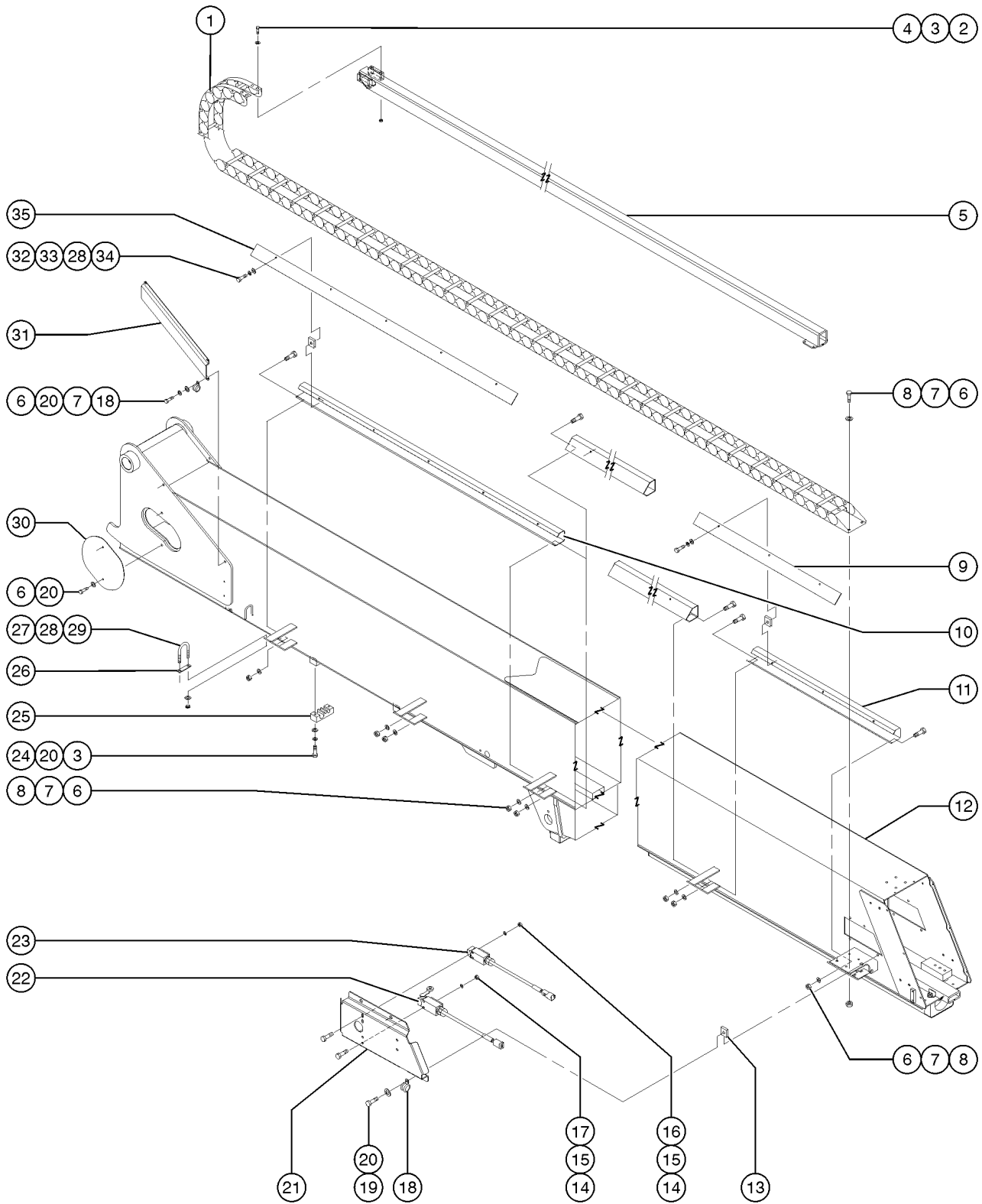
502.1 Secondary Extend Cylinder



502.1 Secondary Extend Cylinder

Item	Part No.	Description	Qty.	Item	Part No.	Description	Qty.
1	10587	SCREW,HHC,1/2-13 X.75		--	60331	VALVE,COUNTERBAL.CWCA-LIN@600	
2	6033	WASHER,LOCK,0.5"		--	62449	SEAL KIT,SUN "CWCA" CB VALVES*	
3	30418	ROD END,.50 X 4.....3	3	27	60962	FORMING,LOWER COVER.....1	1
4	Ref.	Boom Tube Zero <i>(refer to 501.1 and 503.1)</i>		28	75011	BOOM #0 REST PAD.....1	1
5	122795	CABLE TRACK,STEEL,60 LINKS		29	75413	STROKE LIMITER COLLAR	
--	122796	REPAIR LINK SET(122795)4 LINK		30	75091	SCREW,SHC,3/8-16 X 4 GR 5.....4	4
--	122797	REPAIR LINK END SET(122795)		31	6886	WASHER,LOCK,.313	
6	14297	SCREW,BHHS,1/4-20 X .75		32	60224	PIN,1.50DIAX2.75LG,THREADED...2	
7	6638	WASHER,FLAT,USS,1/4"Y					
8	6090	SCREW,HHC,1/4-20 X .75					
9	60260	WELDMENT,INNER CABLETRACK TUBE.....1	1				
10	56912	SPRING CLIP,1/4-20,.025-.15X.5					
11	60207	WEAR PAD,PRI.EXT.CYL.SUPPORT.....1	1				
12	62461-S	COVER,PRI.EXT.CYLINDER COVER.....2 <i>USA/Canada/Australia</i>	2				
--	60266-S	FORMING,SECONDARY EXT.CYL CVR <i>Europe/Asia/South America</i>					
13	6888	SCREW,HHC,1/4-20 X 1					
14	6356	WASHER,LOCK,.25					
15	60960P	FORMING,LOWER COVER SUP,PAINT.....2	2				
16	6175	SCREW,HHC,3/8-16 X 1					
17	4828	NUT,NYLOCK,3/8-16					
18	6097	WASHER,FLAT,USS,3/8",Y					
19	8255	SCREW,HHC,3/8-16 X .75					
20	6021	WASHER,LOCK,.375					
21	38601	SCREW,HHC,1/2-13 X 7.5					
22	11209	WASHER,FLAT,USS,7/16",Y					
23	6198	NUT,NYLOCK,1/2-13					
24	75666-S	WELDMENT,EXTENSION BOOM #1.....1	1				
25	60267	PIN,1.50DIAX12.25LG,1HOLE.....1	1				
26	50099	CYLINDER,SECONDARY EXTEND.....1	1				
--	60329	SEAL KIT CYL.S100/120 (50099)					
--	111176	VALVE,COUNTERBAL 1:1,900 PSI					
--	75424	SEAL KIT,SUN "CWEA" CB VALVES					

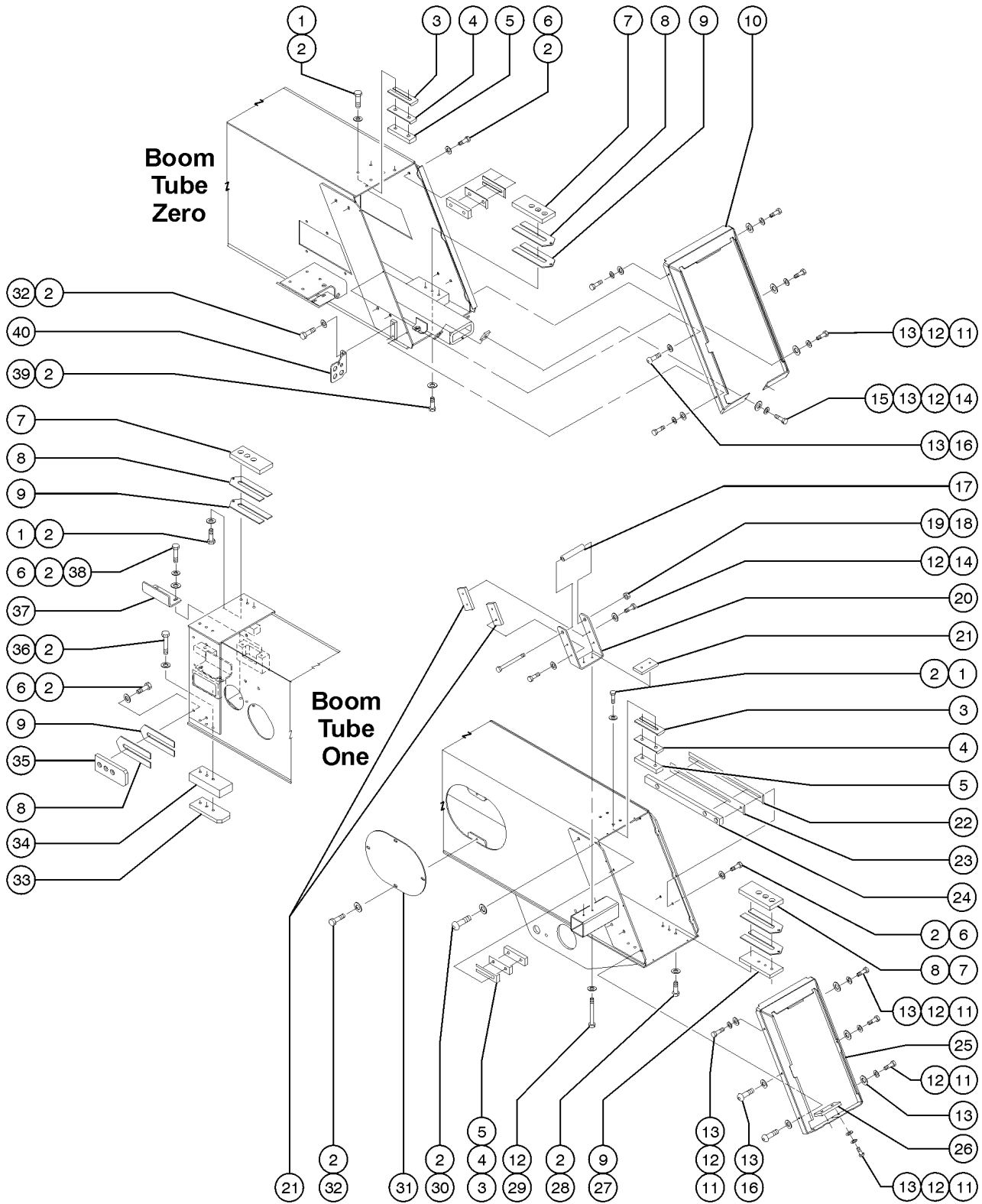
503.1 Boom Tube Zero, Cable Track



503.1 Boom Tube Zero, Cable Track

Item	Part No.	Description	Qty.	Item	Part No.	Description	Qty.
1	102051	CABLE TRACK,STEEL 84 LINKS....1		--	146325	CONN.SQZ,PG 11,,34-.47,W/ORING	
--	102211	CROSSBAR ALUM W/SELF TAP SCREW		23	75769	LIMIT SWITCH, OPERATION,LSB2RO.....1	
--	102212	SELF-TAP SCREW, CABLE TRACK		24	5224	SCREW,HHC,3/8-16 X 2	
--	122034	KIT,SERVICE,CLAMP MOUNTS		25	60808	CLAMP,HOSE,SEC. EXTENSION CYL.....3	
--	122114	KIT,2 LINK REPAIR W/HARDWARE		26	75066	HOSE,WEAR PAD.....1	
--	102214	REPAIR LINK W/ ROLLER		27	75065	HOSE CLAMP,WEAR PAD.....1	
--	102215	BRACKET,CABLE TRACK,FIXED END*		28	6638	WASHER,FLAT,USS,1/4"Y	
--	102216	BRACKET,CABLE TRACK,MOVING END		29	6782	NUT,NYLOCK,5/16-18	
--	146476	HOSE AND CABLE CLAMP, STD		30	60256-S	COVER,BOOM SIDE.....2	
--	146477	HOSE AND CABLE CLAMP, STD, TOP		31	60822-S	COVER,HOSE.....1	
--	111997	OPT,HOSE AND CABLE CLAMP		32	6090	SCREW,HHC,1/4-20 X .75	
2	14033	SCREW,HHC,3/8-16 X 2.75		33	6356	WASHER,LOCK,,25	
3	6097	WASHER,FLAT,USS,3/8",Y		34	56912	SPRING CLIP,1/4-20,.025-.15X.5	
4	4828	NUT,NYLOCK,3/8-16		35	60829	COVER,HOSE TRAY,84"	
5	60245	WLDMNT,CABLE TRACK GUIDE LONG*1					
6	8255	SCREW,HHC,3/8-16 X .75					
7	5397	WASHER,FLAT,USS,5/16",Y					
8	7713	NUT,LP NYLOCK,3/8-16					
9	60866	COVER,HOSE TRAY1					
10	60342	TRAY,HOSE,84"3					
11	60863	TRAY,HOSE,45.5"1					
12	Ref.	Boom Tube Zero (refer to 501.1 and 502.1)					
13	29868	SPRING CLIP,3/8-16					
14	6178	NUT,NYLOCK,10-32					
15	6146	WASHER,FLAT,MS,#10,Y					
16	51063	SCREW,PHILLIPS,RHM,10-32 X 1.5					
17	54239	SCREW,PHILLIPS,PHM,10-32 X 2.0					
18	60838	CLAMP,1.00,#16 X 7/16,RUB CUSH					
19	6175	SCREW,HHC,3/8-16 X 1					
20	6021	WASHER,LOCK,,375					
21	89104P	Limit Switch Cover.....1					
22	146198	LIMIT SWITCH,SAFETY					
--	110771-74BJ9	SWITCH,LIMIT,ROLLER NO/NC GOLD					
--	128636	ROLLER,ARM,LIMIT SWITCH,ZCY500					

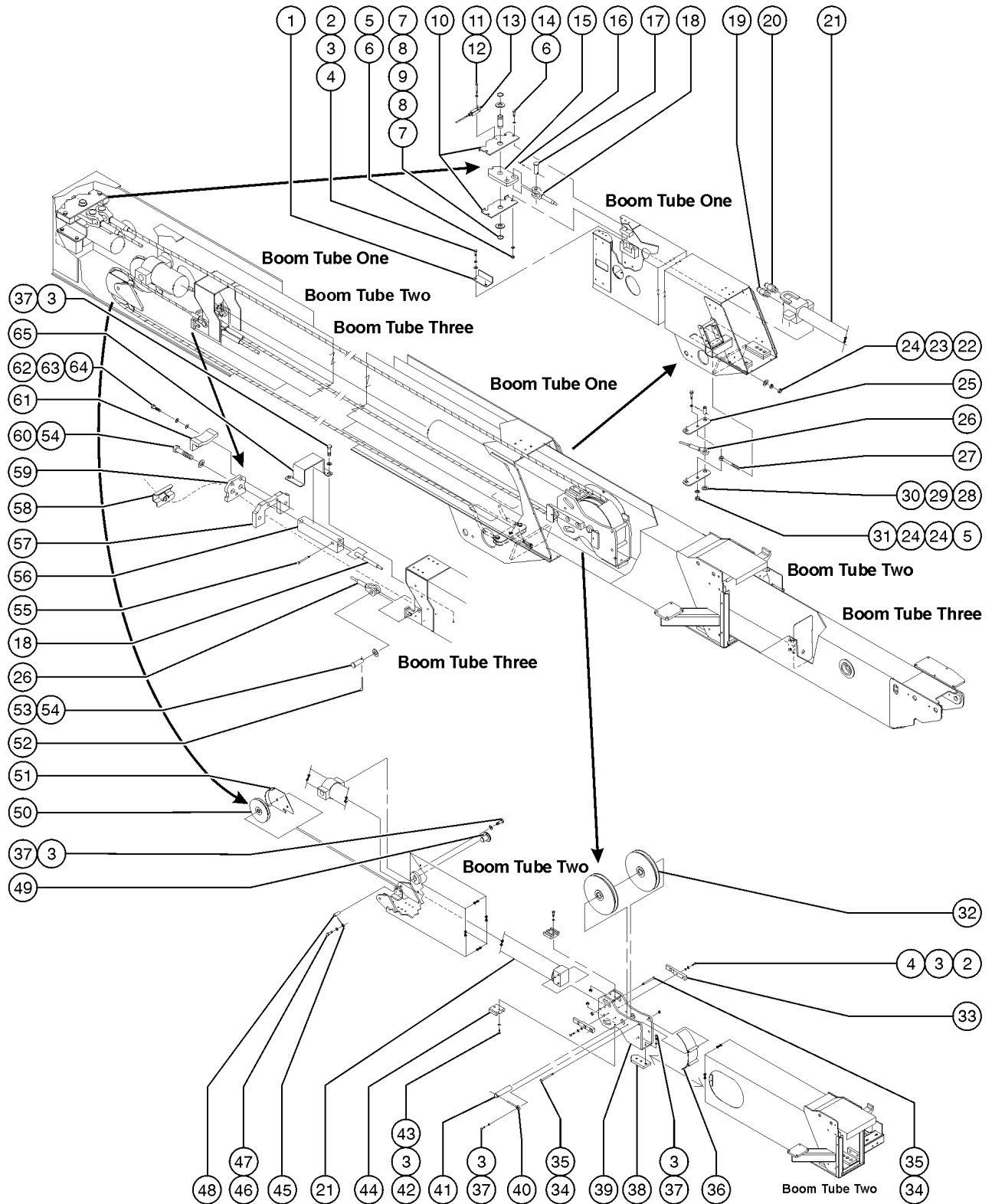
504.1 Boom Tube Zero and Boom Tube One



504.1 Boom Tube Zero and Boom Tube One

Item	Part No.	Description	Qty.	Item	Part No.	Description	Qty.
--	Ref.	Boom Tube Zero <i>(refer to 501.1 - 503.1)</i>		34	60691	SPACER,WEAR PAD.....	2
--	Ref.	Boom Tube One <i>(refer to 502.1)</i>		35	60239	WEAR PAD,7 X 3 X.625 W/INSERT.....	4
1	6175	SCREW,HHC,3/8-16 X 1		36	6708	SCREW,HHC,3/8-16 X 2.25	
2	6021	WASHER,LOCK, .375		37	60335-S	FORMING,CYLINDER RETAINER.....	2
3	29080	SHIM,WEAR PAD,5X 1.5 16GA		38	6097	WASHER,FLAT,USS,3/8",Y	
4	38620	SHIM,WEAR PAD,5 X 1.5,14GA		39	8178	SCREW,HHC,3/8-16 X 2.5	
5	73461	WEAR PAD,5 X 1.5 X .875 W/NUTS.....	14	40	60849P	BRACKET,BULKHEAD,PAINTED.....	1
6	6019	SCREW,HHC,3/8-16 X 1.25 GRD 5					
7	50245	WEAR PAD,7 X 3 X.75 W/NUTS.....	6				
8	60840	SHIM,WEAR PAD,7 X 3,16GA					
9	60304	SHIM,WEAR PAD,7 X 3,12GA					
10	60158	COVER MAST #1.....	1				
11	8914	SCREW,HHC,1/4-20 X .625					
12	6356	WASHER,LOCK, .25					
13	6638	WASHER,FLAT,USS,1/4"Y					
14	6090	SCREW,HHC,1/4-20 X .75					
15	56912	SPRING CLIP,1/4-20, .025-.15X.5					
16	14297	SCREW,BHHS,1/4-20 X .75					
17	34243-500	TUBE,UHMW, 1 X .25.....	1				
18	6198	NUT,NYLOCK,1/2-13					
19	12460	SCREW,HHC,1/2-13 X 6.5					
20	60247P	FORM,CABLE TRACK TUBE GUIDE,PT.....	1				
21	45209	WEAR PAD,4X2X.5 W/INSERT***	3				
22	89847	SHIM,SIDE WEAR PAD,20X2,16GA**	2				
23	89846	SHIM,SIDE WEAR PAD,20X2,14GA**	2				
24	89845	WEAR PAD,20X 1.5X.875 W/INST**					
25	60157	COVER MAST #2.....	1				
26	61099-S	RETAINER,MAST COVER.....	1				
27	60222	SPACER,WEAR PAD.....	2				
28	14033	SCREW,HHC,3/8-16 X 2.75					
29	50160	SCREW,HHC,1/4-20 X 3.75					
30	57072	SCREW,BHHS,3/8-16 X 1.25					
31	60177-S	COVER,BOOM SIDE, PAINTED.....	2				
32	8255	SCREW,HHC,3/8-16 X .75					
33	50246	WEAR PAD.....	2				

505.1 Primary Extend Cylinder



505.1 Primary Extend Cylinder

Item	Part No.	Description	Qty.	Item	Part No.	Description	Qty.
--	217709	KIT,EXT/RET CABLE REPLMNT,SB <i>Replaces all extension and retraction cables (contains all necessary hardware and fasteners)</i>		24	13064	WASHER,FLAT,.625 HARDENED....1	
--	60989	HARNESS,CABLE BREAK S120/125		25	60163-S	PLATE,RETRACT CABLE EQUALIZER.....2	
1	60335-S	FORMING,CYLINDER RETAINER.....2		26	232842	CABLE ASSEMBLY,RETRACT SET.....1 <i>Contains two cables</i>	
2	6019	SCREW,HHC,3/8-16 X 1.25 GRD 5		27	60164	ROD END,RETRACTION CABLE....1	
3	6021	WASHER,LOCK,.375		28	30748	WASHER,SHIM,1.01 X 1.63 X.062	
4	6097	WASHER,FLAT,USS,3/8",Y		29	60697	PIN,RETRACTION CABLE.....2	
5	6198	NUT,NYLOCK,1/2-13		30	33247	PIN,COTTER,.188 X 1.75 LONG....2	
6	13066	WASHER,FLAT,.5 HARDENED.....4		31	61384	SCREW,SHS,1/2-13 X 1.50	
7	18383	SNAP RING,EXTERNAL,1.5 DIA***		32	50247	SHEAVE,EXTENSION CABLE.....2	
8	18596	WASHER,FLAT,1.56 X 2.5 X .061		--	60422	Bearing, 1.5 x 2 x 1.81 inches	
9	60179	PIN,1.50DIA X 2.92LG,2RING.....1		33	60240	WEAR PAD,SHEAVE MOUNT.....2	
10	60181-S	PLATE,EXT.CABLE ANCHOR.....2		34	61385	SCREW,HHC,1/2-13 X 5.25	
11	49817	SCREW,PHILLIPS,PHM,10-32 X1.25		35	6086	NUT,LP NYLOCK,1/2-13	
12	6607	WASHER,LOCK,#10 PLTD		36	60215-S	WELDMNT,CABLE RETAINER....1	
13	75031	LIMIT SWITCH,SAFETY.....1		37	6175	SCREW,HHC,3/8-16 X 1	
14	39479	SCREW,HHC,1/2-13 X 2.75		38	60216	WEAR PAD,EXT.CABLE SHEAVE.....1	
15	60340-S	PLATE,EXT.CABLE EQUALIZER MACH.....1		39	60346-S	SHEAVE MOUNT,EXT. CABLE MACHIN.....1	
--	54156	BEARING,FL,1.5IDX1.75ODX1.10LG		40	45226	ROD END,.375 X 3.69.....1	
16	75396	PIN,COTTER,.25 X3.18 EXT.CABLE.....2		41	60205	PIN,1.50DIA X 5.88LG,1HOLE.....1	
17	75397	PIN,CLEVIS,1.18X3.18 EXT.CABLE.....2		42	5224	SCREW,HHC,3/8-16 X 2	
18	232841	CABLE ASSEMBLY,EXTEND SET.....1 <i>Contains two cables</i>		43	4828	NUT,NYLOCK,3/8-16	
--	10665	PIN,ROLL,.25 X 1.5		44	60208	WEAR PAD,EXT.CABLE.....2	
--	60171	EXTENSION CABLE		45	45748	ROD END,.250 X 2.75 LG.....2	
--	60229	COUPLING,EXT.CABLE ADJUSTMENT*		46	6090	SCREW,HHC,1/4-20 X .75	
19	75762	VALVE,COUNTERBAL.CWEK-LIN @600		47	6356	WASHER,LOCK,.25	
--	75424	SEAL KIT,SUN "CWEA" CB VALVES		48	60358	PIN,.75DIA X 2.89LG,1HOLE.....2	
20	60331	VALVE,COUNTERBAL.CWCA-LIN@600.1		49	60192	PIN,EXTENSION CYLINDER MOUNT.....2	
--	62449	SEAL KIT,SUN "CWCA" CB VALVES*		50	50243	SHEAVE,RETRACT CABLE.....2	
21	50100	CYLINDER,PRIMARY EXTEND.....1		51	122015	WLDMNT,RET.CABLE SHEAV.GARD.RH.....1	
--	60332	SEAL KIT CYL.S100/120 (50100)		--	122016	WLDMNT,RET.CABLE SHEAV.GARD.LH.....1	
22	38028	NUT,LP NYLOCK,5/8-11		52	75355	PIN,COTTER,.188X2.25 RET.CABLE.....2	
23	45076	NUT,HEX,JAM,5/8-11		53	75356	PIN,CLEVIS,.844X2.25 RET.CABLE.....2	

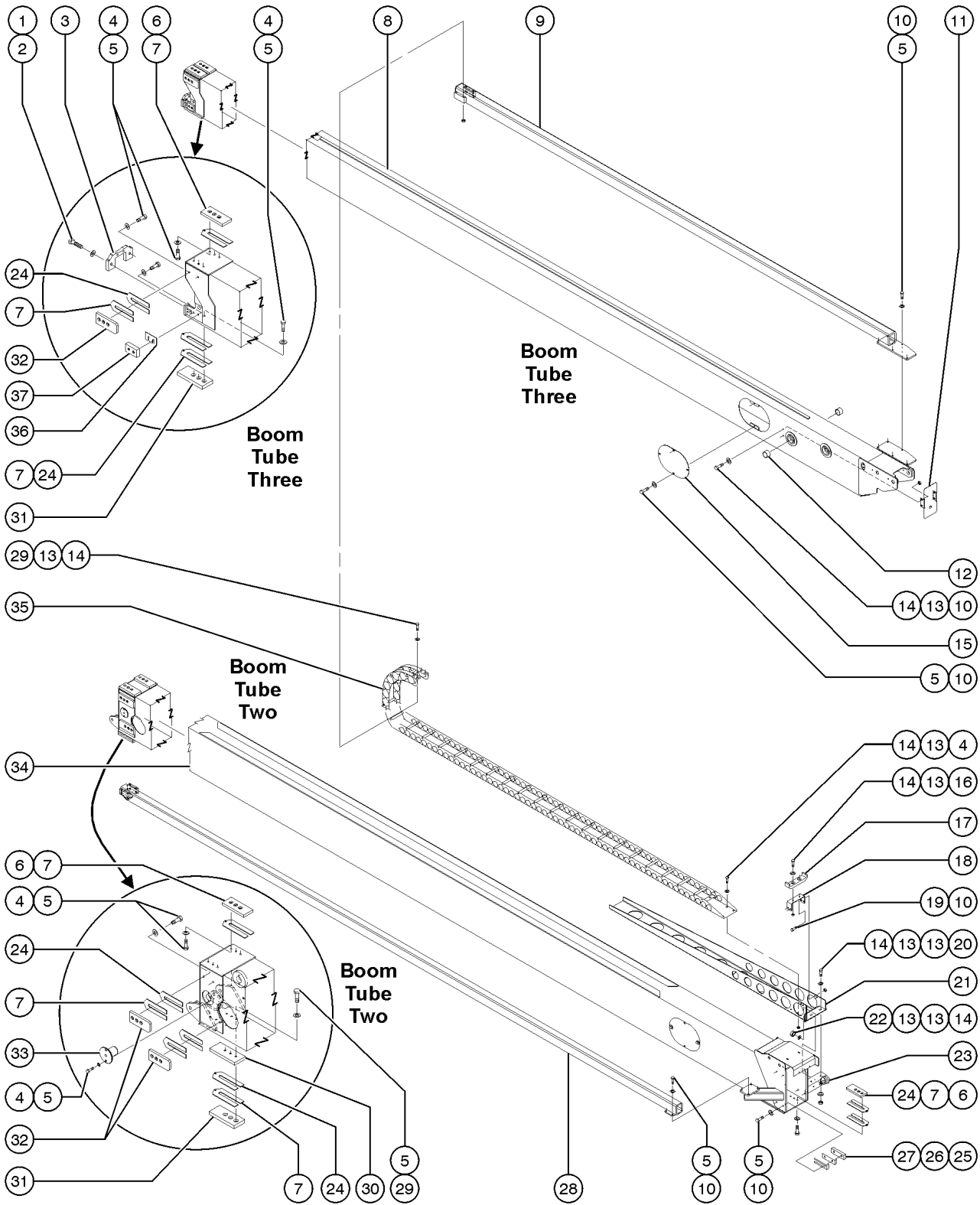


505.1 Primary Extend Cylinder
(continued)

Item	Part No.	Description	Qty.
54	33278	WASHER,FLAT,.75 HARDENED	
55	10665	PIN,ROLL,.25 X 1.5.....	2
56	60229	COUPLING,EXT.CABLE ADJUSTMENT*.....	2
57	60343-S	PLATE,EXT.CABLE ,PAINTED.....	1
58	60231	EXT.CABLE ADJ BOLT LOCK.....	1
59	60356-S	PLATE,EXT.CABLE ATTACH.MACHINE.....	1
60	111149	SCREW,HHC,3/4-10X6,GR5,FULL TH.....	2
61	111523	WEAR PAD, BOOM REST	
62	39479	SCREW,HHC,1/2-13 X 2.75	
63	6033	WASHER,LOCK,0.5"	
64	13066	WASHER,FLAT,.5 HARDENED.....	2
65	75049	FORMING,CABLE RETAINER.....	1

This Page Intentionally Left Blank

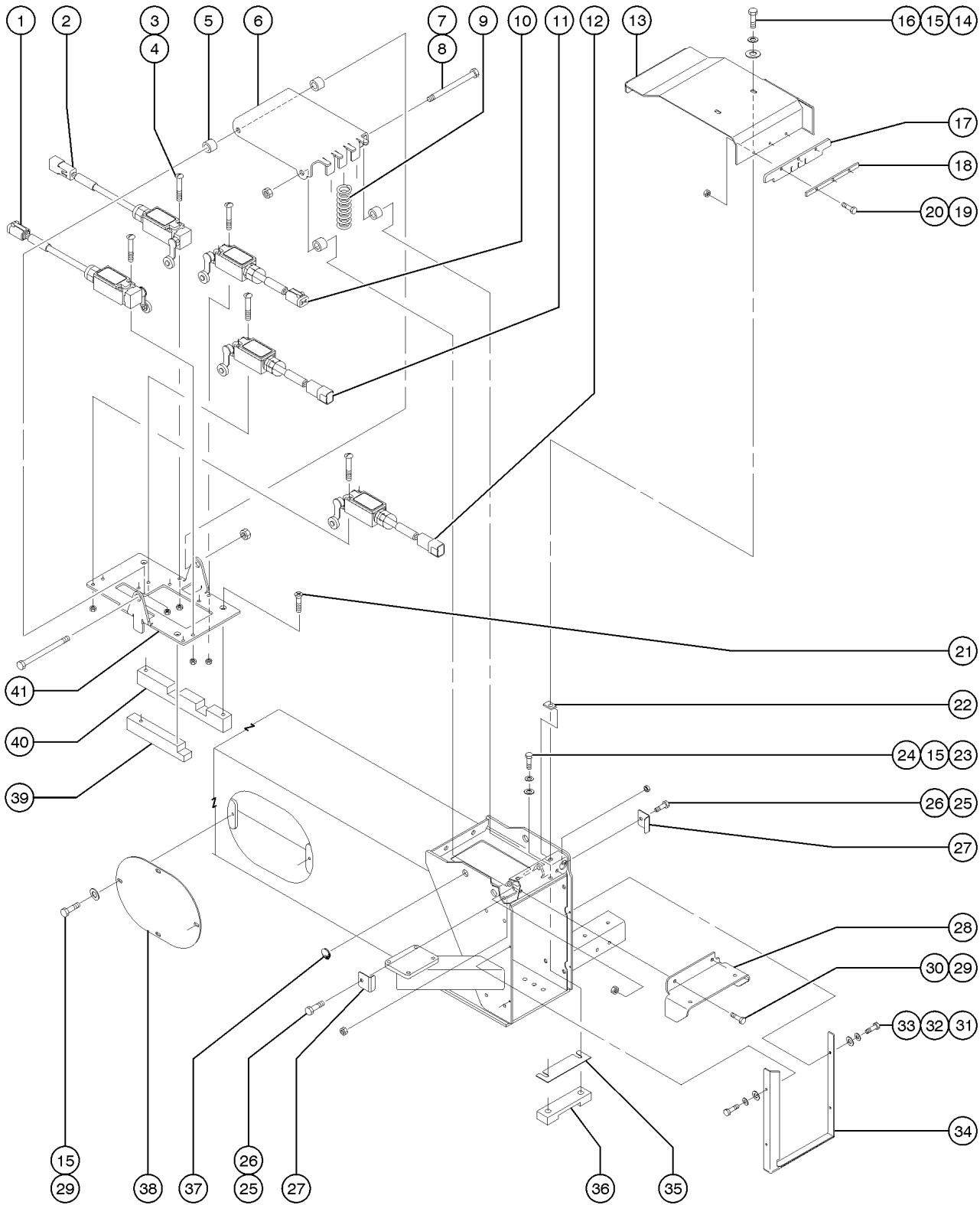
506.1 Boom Tube Two and Boom Tube Three



506.1 Boom Tube Two and Boom Tube Three

Item	Part No.	Description	Qty.	Item	Part No.	Description	Qty.
1	60217	SCREW,HHC,3/4-10 X 7 FULL THRD.....	2	32	60239	WEAR PAD,7 X 3 X.625 W/INSERT.....	6
2	33278	WASHER,FLAT,.75 HARDENED.....	2	33	60192	PIN,EXTENSION CYLINDER MOUNT.....	2
3	60343-S	PLATE,EXT.CABLE ,PAINTED.....	1	34	89166-S	WELDMNT,EXTENSION BOOM #2	
4	6175	SCREW,HHC,3/8-16 X 1		35	102052	CABLE TRACK,STEEL 50 LINKS....	1
5	6021	WASHER,LOCK, .375		--	102211	CROSSBAR ALUM W/SELF TAP SCREW	
6	50245	WEAR PAD,7 X 3 X.75 W/NUTS.....	6	--	102212	SELF-TAP SCREW, CABLE TRACK	
7	60840	SHIM,WEAR PAD,7 X 3,16GA		--	102213	REPAIR LINK W/HARDWARE	
8	122321	SB BOOM #3 ASSY W/WORD DECALS <i>includes item 12</i>		--	102214	REPAIR LINK W/ ROLLER	
--	122322	SB BOOM #3 ASSY SYMBOL UNITS <i>includes item 12</i>		--	102215	BRACKET,CABLE TRACK,FIXED END*	
9	122225	WLDMNT,CABLE TRACK GUIDE,SHORT		--	102216	BRACKET,CABLE TRACK,MOVING END	
10	8255	SCREW,HHC,3/8-16 X .75		--	111997	OPT,HOSE AND CABLE CLAMP	
11	60194	FORMING,TUBE GUARD.....	1	--	122034	KIT,SERVICE,CLAMP MOUNTS	
12	30370	BEARING,1.25IDX1.5ODX1.00L		--	122114	KIT,2 LINK REPAIR W/HARDWARE	
13	6097	WASHER,FLAT,USS,3/8",Y		--	146476	HOSE AND CABLE CLAMP, STD	
14	4828	NUT,NYLOCK,3/8-16		--	146477	HOSE AND CABLE CLAMP, STD, TOP	
15	60177-S	COVER,BOOM SIDE, PAINTED....	4	36	61380	SHIM,SIDE WEAR PAD .059 THK.	
16	6019	SCREW,HHC,3/8-16 X 1.25 GRD 5		37	61379	WEAR PAD,3.5 X 2 X .625 W/INST.....	2
17	60802	WEAR PAD,UPPER CABLE TRACK.....	1				
18	102020	WELDMNT,WEAR PAD MOUNTING					
19	7713	NUT,LP NYLOCK,3/8-16					
20	5387	SCREW,HHC,3/8-16 X 4					
21	50117-S	WELDMNT,CABLE TRACK SUPPORT.....	1				
--	122791	SHIM,CBL TRK SPRT WLDT,22 GA					
22	12981	SCREW,HHC,3/8-16 X 4.5					
23	61745	CLAMP,2.25,#36 X 3/8,RUB CUSH					
24	60304	SHIM,WEAR PAD,7 X 3,12GA					
25	73461	WEAR PAD,5 X 1.5 X .875 W/NUTS					
26	38620	SHIM,WEAR PAD,5 X 1.5,14GA					
27	29080	SHIM,WEAR PAD,5X 1.5 16GA					
28	60245	WLDMNT,CABLE TRACK GUIDE LONG*.....	1				
29	14033	SCREW,HHC,3/8-16 X 2.75					
30	60222	SPACER,WEAR PAD.....	2				
31	50246	WEAR PAD.....	4				

507.1 Boom Tube Two, Limit Switches

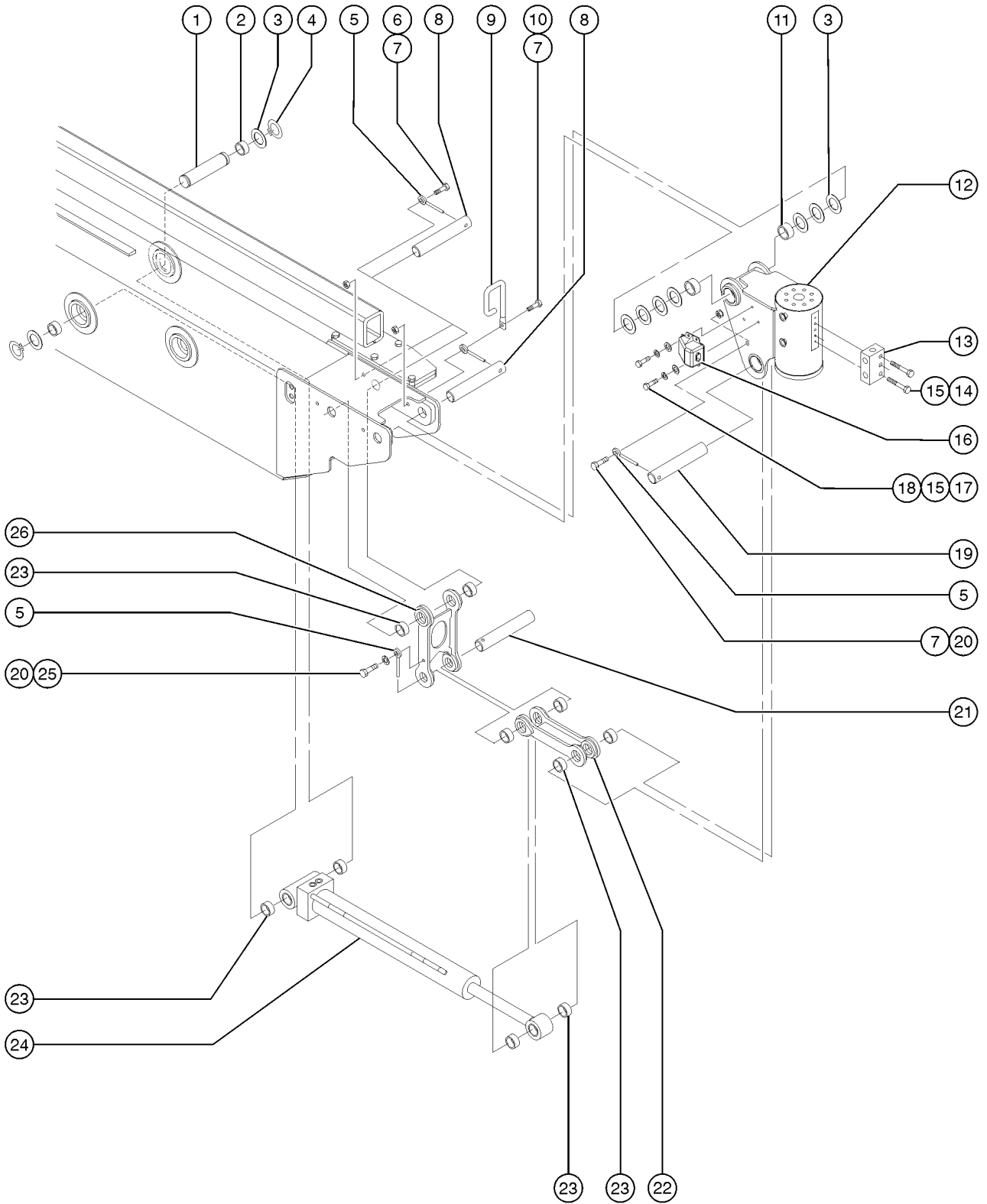


507.1 Boom Tube Two, Limit Switches

Item	Part No.	Description	Qty.	Item	Part No.	Description	Qty.
--	146192	HARNESS, TCON J2 UPPER 2009		19	6888	SCREW,HHC,1/4-20 X 1	
1	146199	LIMIT SWITCH,SAFETY <i>(LSB4ES) safety limit switch for boom length greater or equal 80 feet</i>		20	6091	NUT,NYLOCK,1/4-20	
--	110771-74B69	SWITCH,LIMIT,ROLLER NO/NC GOLD		21	49824	SCREW,PHILLIPS,FHM,10-32X1.00	
--	128636	ROLLER,ARM,LIMIT SWITCH,ZCY500		22	29868	SPRING CLIP,3/8-16	
--	146325	CONN.SQZ,PG 11, .34-.47,W/ORING		23	6175	SCREW,HHC,3/8-16 X 1	
2	89109	LIMIT SWITCH,OPERATIONAL.....1 <i>(LSB3RO) operational limit switch for boom length at 0 feet</i>		24	5397	WASHER,FLAT,USS,5/16",Y	
--	53983	STRAIN RELIEF, PG13,5		25	33681	SCREW,HHC,3/8-16 X .625	
--	75911	LIMIT SWITCH,OPERATION,NO WIRE		26	7713	NUT,LP NYLOCK,3/8-16	
--	75912	WIRE ASSEMBLY,16/4SJO,9.5"RECP		27	61294-S	FORMING,HOSE PROTECTOR,PAINTED.....2	
3	16487	SCREW,RHM,10-32 X 1.5		28	60935-S	MOUNT,CABLE TRACK CLAMP.....1	
4	6178	NUT,NYLOCK,10-32		29	8255	SCREW,HHC,3/8-16 X .75	
5	44335	BUSHING,FLANGE, .375X.5.....4		30	4828	NUT,NYLOCK,3/8-16	
6	89164	FORMING,LIMIT SWITCH LINK.....1		31	8914	SCREW,HHC,1/4-20 X .625	
7	22832	SCREW,HHC,3/8-16 X 6		32	6356	WASHER,LOCK, .25	
8	7713	NUT,LP NYLOCK,3/8-16		33	6638	WASHER,FLAT,USS,1/4"Y	
9	61171	SPRING,1.00 DIA X .105.....3		34	60156	COVER MAST #3.....1	
10	75031	LIMIT SWITCH,SAFETY.....1 <i>(LSB3RS) safety limit switch for boom length at 0 feet</i>		35	75286	SHIM, WEAR PAD,THIN,SB	
--	53983	STRAIN RELIEF, PG13,5		36	61164	WEAR PAD,BOOM #2 TOP.....1	
--	75910	WIRE ASSEMBLY,16/4SJO,9.5"PLUG		37	15243	PLUG,NYLON .875 BLACK DOMED.....2	
--	75913	LIMIT SWITCH, SAFETY,NO WIRE		38	60177-S	COVER,BOOM SIDE, PAINTED....2	
11	89110	LIMIT SWITCH,OPERATIONAL.....1 <i>(LSB3EO) operational limit switch for boom length greater or equal 80 feet</i>		39	89107	WEAR PAD,LIMIT SWITCH MNT.SHOR.....1	
12	89110	LIMIT SWITCH,OPERATIONAL.....1 <i>(LSB4EO) operational limit switch for boom length at 100 feet</i>		40	89106	WEAR PAD,LIMIT SWITCH MNT.LONG.....1	
13	89171P	FORMING,LIMIT SWITCH GUARD.....1		41	89105-S	FORMING,LIMIT SWITCH MOUNT.....1	
14	6019	SCREW,HHC,3/8-16 X 1.25 GRD 5					
15	6021	WASHER,LOCK, .375					
16	6097	WASHER,FLAT,USS,3/8",Y					
17	61174	WIPER,RUBBER BOOM #3 TOP.....1					
18	61176P	BAR,RUBBER WIPER BACK-UP,PTD.....1					



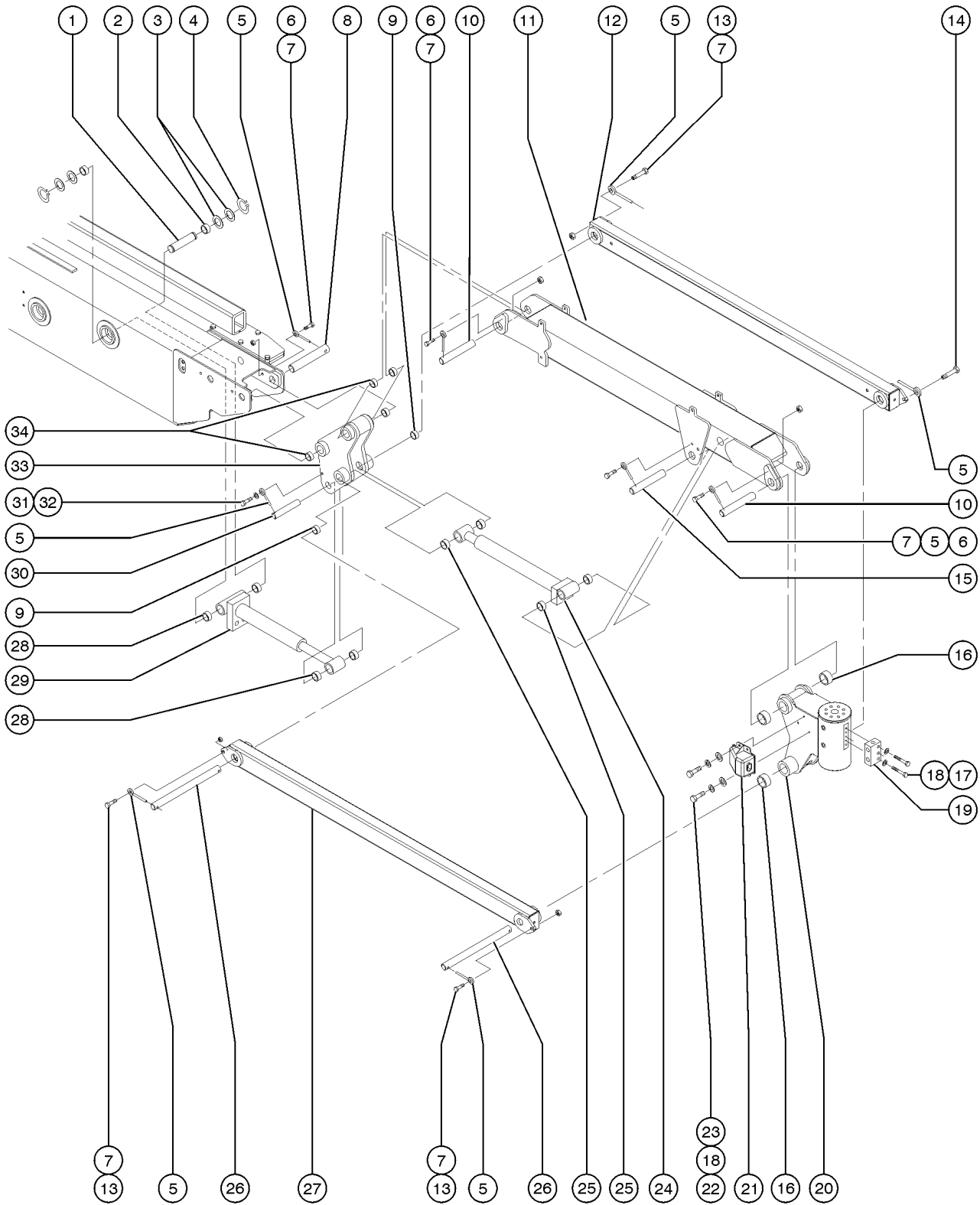
508.1 Platform Rotator, S-120



508.1 Platform Rotator, S-120

Item	Part No.	Description	Qty.
1	146073	PIN,1.25DIAX7.9LG,2RING	
2	30370	BEARING,1.25IDX1.5ODX1.00L	
3	30255	WASHER,SHIM,1.27 X 2.13 X .062	
4	30217	SNAP RING,EXTERNAL,1.25 DIA.**	
5	45226	ROD END,.375 X 3.69	
6	8516	SCREW,HHC,3/8-16 X 1.50,GR5	
7	4828	NUT,NYLOCK,3/8-16	
8	T108078	PIN,1.25DIAX9.50LG,1HOLE.....2	
9	75016P	GUARD,JIB HOSE,PAINTED.....1	
10	6708	SCREW,HHC,3/8-16 X 2.25	
11	30370	BEARING,1.25IDX1.5ODX1.00L.....2	
12	94400	ROTATOR,NON-JIB,160 DEG	
--	122944	SEAL KIT,8K ROTATOR***	
--	13852	VALVE ASSY,BLEED***	
13	Ref.	Platform Rotate Manifold (refer to 706.1)	
14	6145	SCREW,HHC,1/4-20 X 1.5	
15	6356	WASHER,LOCK,.25	
16	50813	SENSOR,TILT,PCON (PLASTIC)****.....1	
17	6638	WASHER,FLAT,USS,1/4"Y	
18	6090	SCREW,HHC,1/4-20 X .75	
19	T108075	PIN,1.25DIAX5.25LG,1HOLE.....1	
20	6019	SCREW,HHC,3/8-16 X 1.25 GRD 5	
21	50212	PIN,1.25DIAX6.50LG,1HOLE.....1	
22	75105-S	PLATFORM,LEVELING LINK ASSY.....1	
23	47377	BEARING,1.25 ID X 1.5 OD X .75	
24	50207	CYLINDER,PLATFORM LEVELING.....1	
--	31106	VALVE,CNTERBAL,CBBB-LHN@3000** (locks extend side)	
--	43018	SEAL KIT (39345)	
--	65795	SEAL KIT,CYL,S100/120 (50207)	
--	75061	VALVE,COUNTERBAL,CBBB-LHN@2000 (locks retract side)	
25	6021	WASHER,LOCK,.375	
26	75106-S	PLATFORM,LEVELING LEVER,ASSY.....1 (includes item 22)	

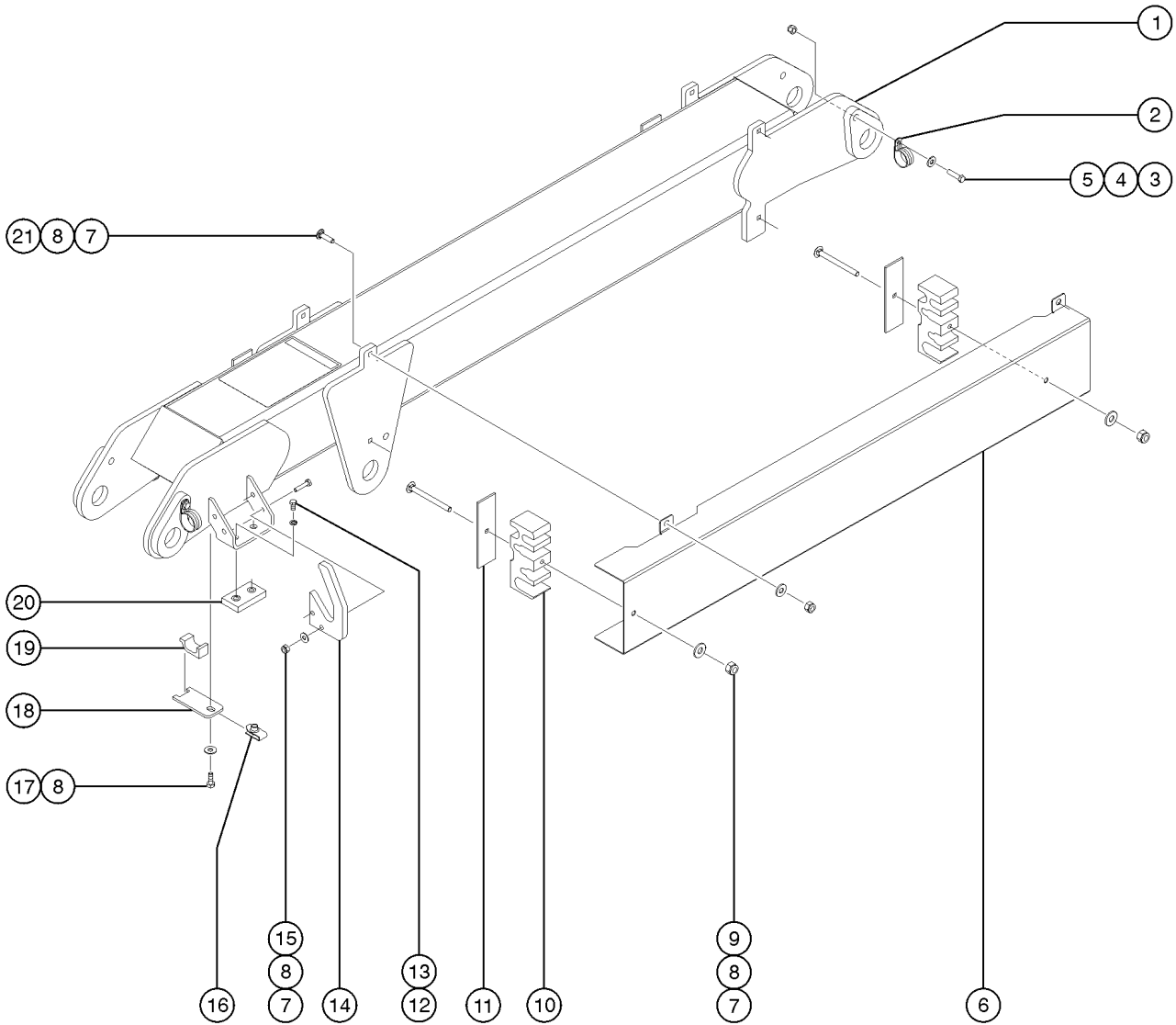
509.1 Jib Boom and Platform Rotator, S-125



509.1 Jib Boom and Platform Rotator, S-125

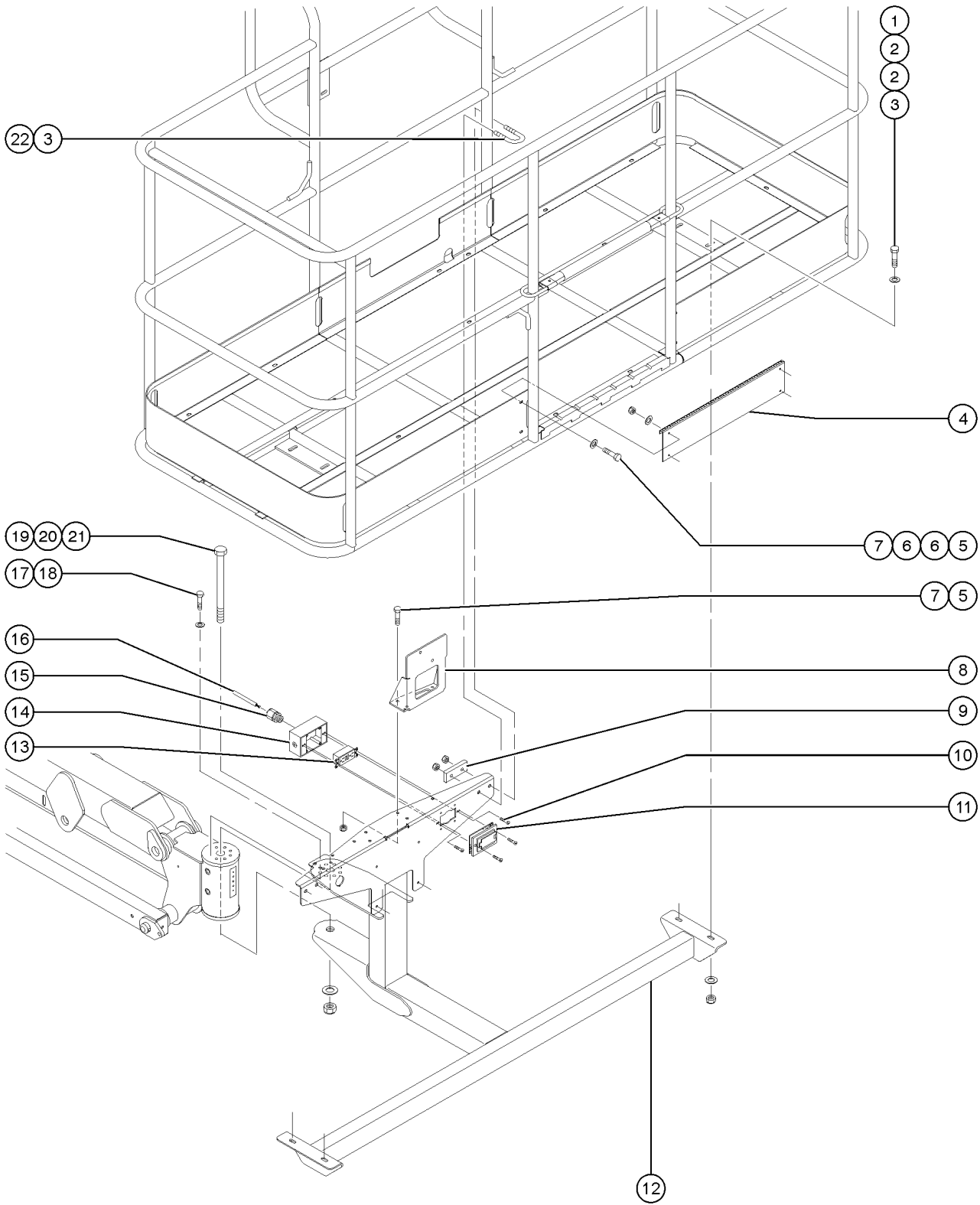
Item	Part No.	Description	Qty.	Item	Part No.	Description	Qty.
1	146073	PIN,1.25DIAX7.9LG,2RING		--	146056	SEAL KIT (89534)	
2	30370	BEARING,1.25IDX1.5ODX1.00L		--	61598	SEAL KIT,PLAT.LEVEL CYL(61387)	
3	30255	WASHER,SHIM,1.27 X 2.13 X .062		--	61602	VALVE,COUNTERBALCBBB-LHN@3500	
4	30217	SNAP RING,EXTERNAL,1.25 DIA.**		--	75061	VALVE,COUNTERBALCBBB-LHN@2000	
5	45226	ROD END,.375 X 3.69.....9	9	30	T108075	PIN,1.25DIAX5.25LG,1HOLE.....1	1
6	5224	SCREW,HHC,3/8-16 X 2		31	6019	SCREW,HHC,3/8-16 X 1.25 GRD 5	
7	4828	NUT,NYLOCK,3/8-16		32	6021	WASHER,LOCK,.375	
8	T108078	PIN,1.25DIAX9.50LG,1HOLE.....1	1	33	75134-S	BELL CRANK,ASSY.W/ BEARINGS.....1 <i>includes item 9</i>	1
9	128268	BEARING,FL, 1.25X1.5X2.13.....2	2	34	75627	BEARING,1.25 X 1.5 X 2.....4	4
10	T108076	PIN,1.25DIAX7.88LG,1HOLE.....2	2				
11	Ref.	JIB Boom.....1 <i>(refer to 510.1)</i>	1				
12	61306-S	COMPR.LINK,MACHINED,GND CONTR*					
13	8516	SCREW,HHC,3/8-16 X 1.50,GR5					
14	13918	SCREW,HHC,3/8-16 X 1.75,GRD.8.....1	1				
15	T108077	PIN,1.25DIAX7.00LG,1HOLE.....1	1				
16	30222	BEARING,FL,1.25IDX1.41ODX1.50L.4					
17	6145	SCREW,HHC,1/4-20 X 1.5					
18	6356	WASHER,LOCK,.25					
19	Ref.	Platform Rotate Manifold <i>(refer to 706.1)</i>					
20	94397	ROTATOR,PLAT JIB,160 DEG***.....1	1				
--	122944	SEAL KIT,8K ROTATOR***					
--	75395	BEARING KIT,PLAT ROTATOR,SUPER					
--	88516	SCREW,BLEEDER,M5X0.8					
21	50813	SENSOR,TILT,PCON (PLASTIC)****.....1	1				
22	6090	SCREW,HHC,1/4-20 X .75					
23	6638	WASHER,FLAT,USS,1/4"Y					
24	63213	CYLINDER,JIB (STICK BOOMS).....1	1				
--	33428	VALVE,COUNTERBALANCE					
--	43018	SEAL KIT (39345)					
--	63353	SEAL KIT,CYL,S65 (63213)					
25	25683	BEARING,POLYGON,20DU12.....4	4				
26	81175	PIN,1.25DIAX14.45LG,2HOLE.....2	2				
27	61306-S	COMPR.LINK,MACHINED,GND CONTR*1	1				
28	47377	BEARING,1.25 ID X 1.5 OD X .75....4	4				
29	89534	CYLINDER, PLATFORM LEVEL.....1	1				

510.1 Jib Detail, S-125



Item	Part No.	Description	Qty.
1	128534	JIB BOOM ASSY W/WORD DECAL	
--	128450	MACHINING, JIB BOOM WELDMENT** <i>Europe/Asia/South America</i>	
2	61745	CLAMP,2.25,#36 X 3/8,RUB CUSH.....	2
3	5224	SCREW,HHC,3/8-16 X 2	
4	5397	WASHER,FLAT,USS,5/16",Y	
5	4828	NUT,NYLOCK,3/8-16	
6	128454P	COVER, JIB HOSES/CABLES.....	1
7	6091	NUT,NYLOCK,1/4-20	
8	6638	WASHER,FLAT,USS,1/4"Y	
9	128724	BOLT,CARRIAGE,1/4-20 X 2.75,G2	
10	122551	CLAMP,JIB HOSE/CABLE,S105,S125.....	2
11	128483	BACKING PLATE, HOSE BLOCK, JIB.....	2
12	8255	SCREW,HHC,3/8-16 X .75	
13	6021	WASHER,LOCK,.375	
14	128482	HOSE GUIDE, JIB.....	1
15	8915	SCREW,HHC,1/4-20 X 1.25	
16	56912	SPRING CLIP,1/4-20,.025-.15X.5.....	1
17	6090	SCREW,HHC,1/4-20 X .75	
18	119536	BRACKET,HOSE CLAMP.....	1
19	119542	CLAMP,TWO HOSE.....	1
20	81640	WEAR PAD,3 X 1.5 X.625 W/NUTS.....	1
21	79456	BOLT,CARRIAGE,1/4-20 X 1.00,G2	

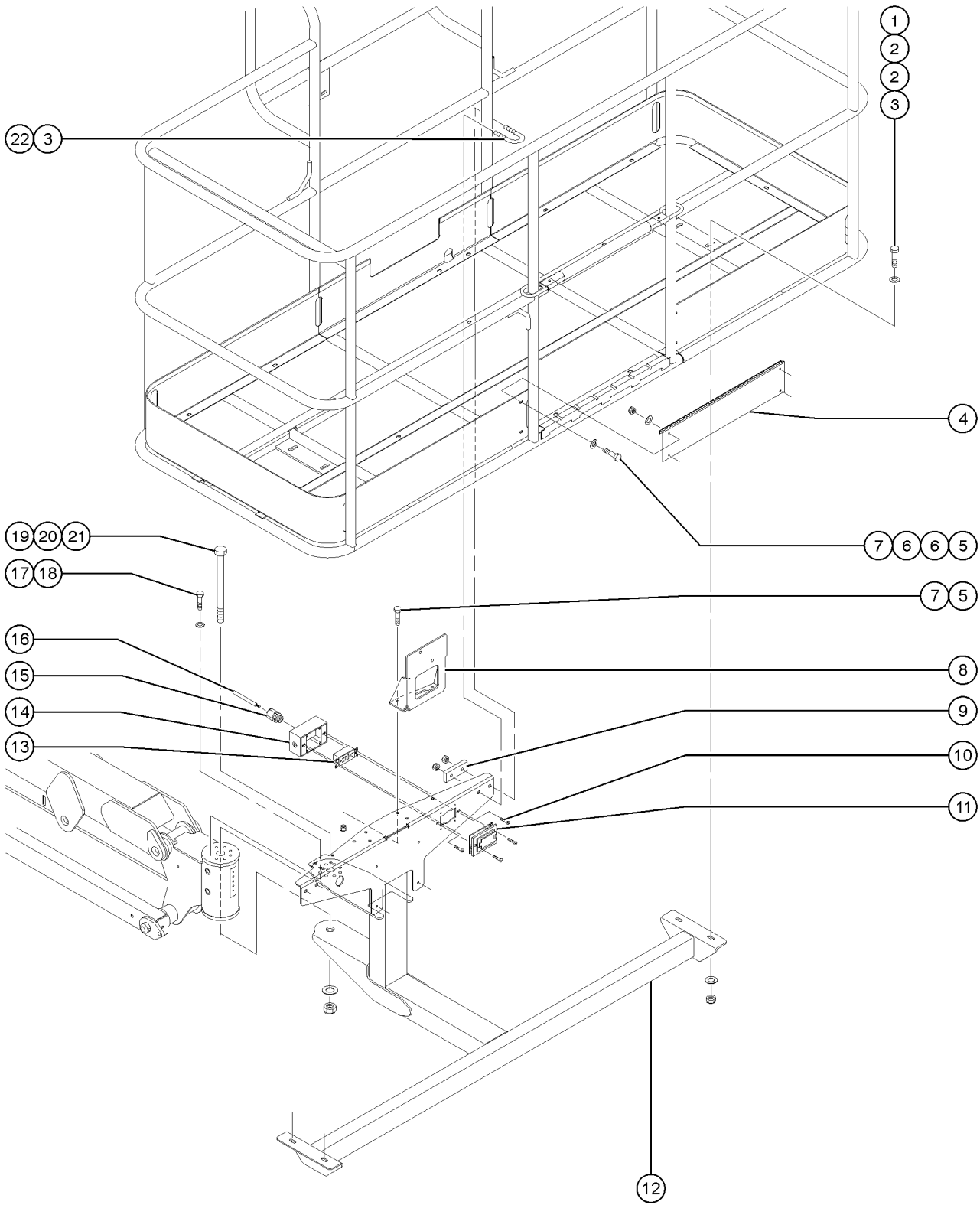
601.1 Platform Installation, S-120 - View 1



601.1 Platform Installation, S-120 - View 1

Item	Part No.	Description	Qty.	Item	Part No.	Description	Qty.
--	111189	PLAT. ASSY, 8FT,SERV,S120 <i>Assembly with Word Decals; USA/Canada models</i>		21	29764	NUT,NYLOCK,1-8	
--	111193	PLAT ASSY, 8FT, AUST, S120 <i>Assembly with Word Decals; Australia models</i>		22	122755	UBOLT,FLATTENED,1.5DIAX3/8 UNC	
--	102671	PLAT ASSY, 8FT, CE/UK, S120 <i>Assembly with Symbol Decals; European models</i>					
--	102675	PLAT ASSY, 8FT, A/SA, S120 <i>Assembly with Symbol Decals; Asia/South America models</i>					
1	6019	SCREW,HHC,3/8-16 X 1.25 GRD 5					
2	6097	WASHER,FLAT,USS,3/8",Y					
3	4828	NUT,NYLOCK,3/8-16					
4	94745P	TOEBOARD,ENTRY EUROPEAN PNTD**					
5	6090	SCREW,HHC,1/4-20 X .75					
6	6638	WASHER,FLAT,USS,1/4"Y					
7	6091	NUT,NYLOCK,1/4-20					
8	89425	WELDMENT,PLATF.MANFLD.SUPPORT.1					
9	61339	PLATE,BACKING.....2					
10	75067	SCREW,6-32 X 7/8 PPMS ZINC					
11	74006	COVER,GFCI,HORIZONTAL,WEATHER.1					
--	10777	COVER,BLANK					
--	74052	GASKET,COVER,GFCI,WEATHERPROOF					
--		Ref., WELDMENT,PLATFORM SUPPORT,CE <i>CE models (refer to 803.1)</i>					
12	60370-S	PLATFORM SUPPORT WELDMNT-SERV* <i>ANSI models</i>					
13	13585	OUTLET,110V GFCI***.....1					
14	75069	T-BOX 2.75 X 4.5 X 2.5.....1					
15	7056	CONN,SQUEEZE,1/2NPT .38-.50,SM.....2					
16	43955	WIRE CABLE,12GA/3 CON.TPE JKT*.....1960-inches (S-120)					
17	49857	SCREW,HHC,3/8-16 X .88,GRD 8					
18	57201	WASHER,FLAT, 313, HARDENED.....8					
19	73928	SCREW,HHC,1-8 X 11,GRD 5***					
20	122079	WASHER,FLAT,1.000,HARDENED..1					

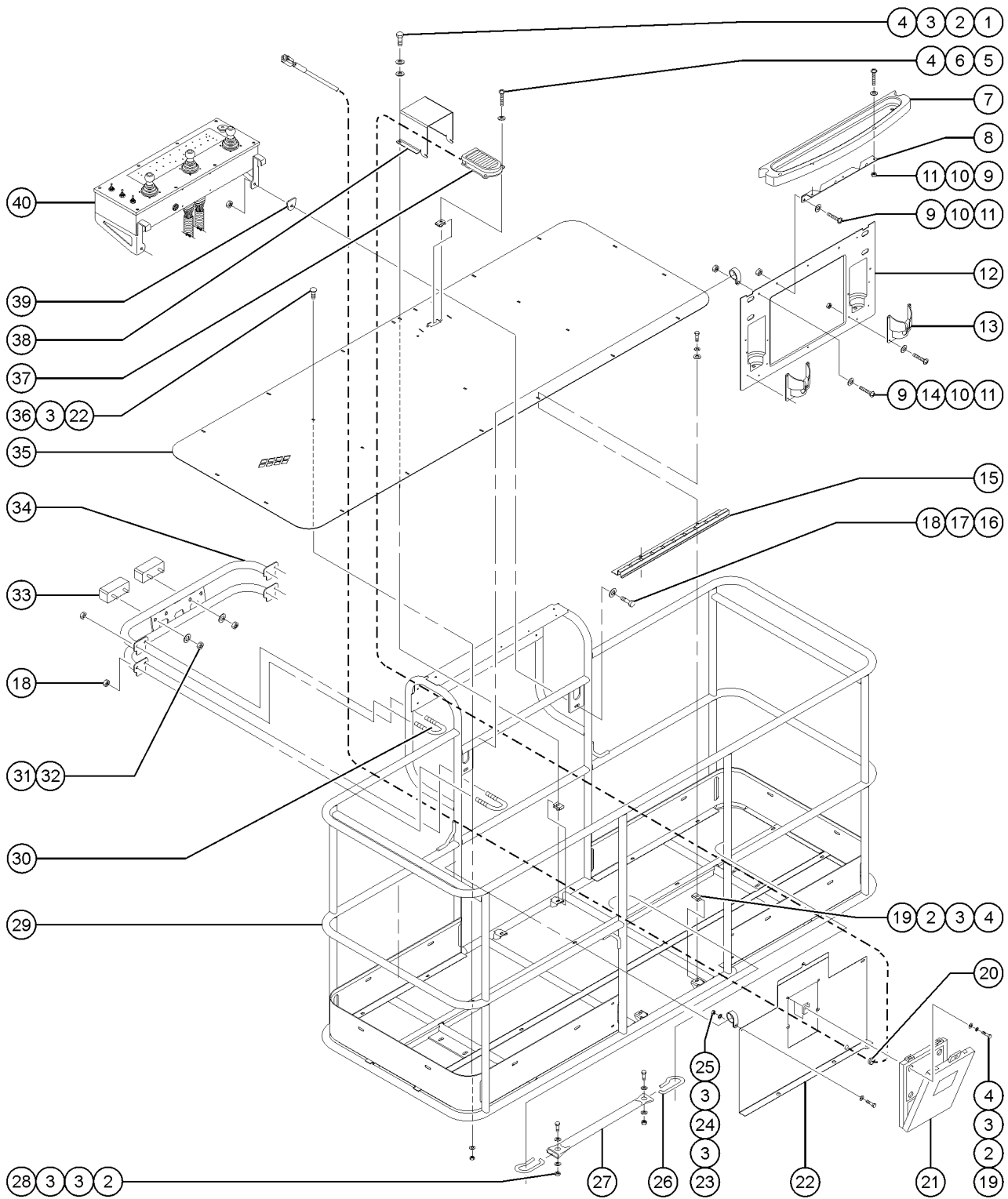
601.1 Platform Installation, S-125 - View 1



601.1 Platform Installation, S-125 - View 1

Item	Part No.	Description	Qty.	Item	Part No.	Description	Qty.
--	111213	PLAT. ASSY, 8FT,SERV,S125 <i>Assembly with Word Decals; USA/Canada models</i>		19	73928	SCREW,HHC,1-8 X 11,GRD 5***	
--	111217	PLAT ASSY, 8FT, AUST, S125 <i>Assembly with Word Decals; Australian models</i>		20	122079	WASHER,FLAT,1.000,HARDENED..1	
--	111205	PLAT ASSY, 8FT, CE/UK, S125 <i>Assembly with Symbol Decals; European models</i>		21	29764	NUT,NYLOCK,1-8	
--	111209	PLAT ASSY, 8FT, A/SA, S125 <i>Assembly with Symbol Decals; Asia/South American models</i>		22	122755	UBOLT,FLATTENED,1.5DIAX3/8 UNC	
1	6019	SCREW,HHC,3/8-16 X 1.25 GRD 5					
2	6097	WASHER,FLAT,USS,3/8", Y					
3	4828	NUT,NYLOCK,3/8-16					
4	94745P	TOEBOARD,ENTRY EUROPEAN PNTD**					
5	6090	SCREW,HHC,1/4-20 X .75					
6	6638	WASHER,FLAT,USS,1/4"Y					
7	6091	NUT,NYLOCK,1/4-20					
8	89425	WELDMENT,PLATF.MANFLD.SUPPORT.1					
9	61339	PLATE,BACKING.....2					
10	75067	SCREW,6-32 X 7/8 PPMS ZINC					
11	74006	COVER,GFCI,HORIZONTAL,WEATHER.1					
--	10777	COVER,BLANK					
--	74052	GASKET,COVER,GFCI,WEATHERPROOF					
--		Ref., WELDMENT,PLATFORM SUPPORT,CE <i>CE models (refer to 803.1)</i>					
12	94390-S	OPTION,PLAT SUPPORT,STD,LRG BM <i>ANSI models</i>					
--	236695	OPTION,PLAT SUPPORT,STD,LRG BM <i>From serial number140</i>					
13	13585	OUTLET,110V GFCI***.....1					
14	75069	T-BOX 2.75 X 4.5 X 2.5.....1					
15	7056	CONN,SQUEEZE,1/2NPT .38-.50,SM.....2					
16	43955	WIRE CABLE,12GA/3 CON.TPE JKT*.....2020-inches (S-125)					
17	49857	SCREW,HHC,3/8-16 X .88,GRD 8					
18	57201	WASHER,FLAT, 313, HARDENED.....8					

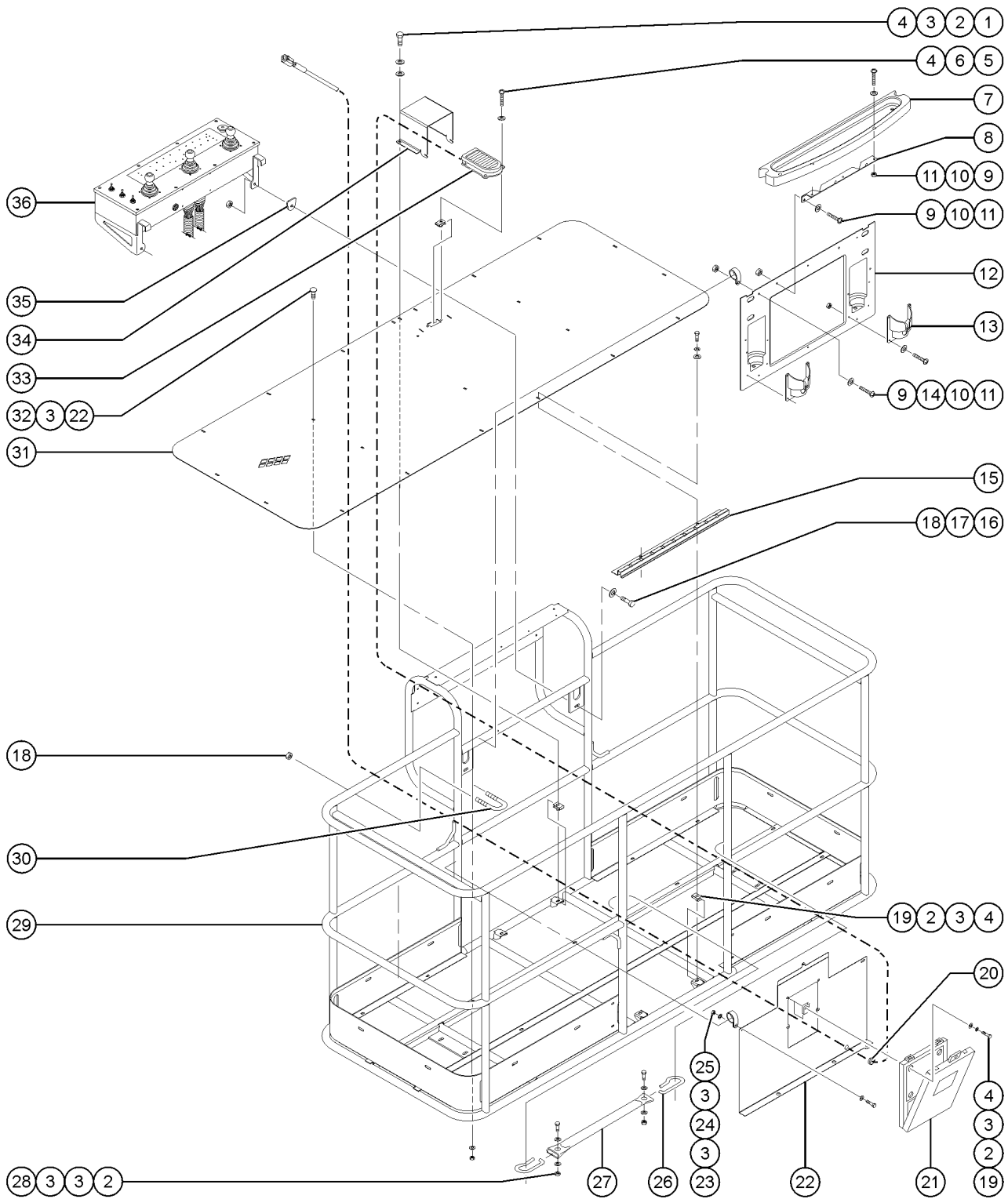
602.1 Platform Installation, S-120 - View 2



602.1 Platform Installation, S-120 - View 2

Item	Part No.	Description	Qty.	Item	Part No.	Description	Qty.
1	6888	SCREW,HHC,1/4-20 X 1		--	21121	CABLE TIE,4" BLK,HEAT RESISTNT	
2	6356	WASHER,LOCK, .25		28	6091	NUT,NYLOCK,1/4-20	
3	6638	WASHER,FLAT,USS,1/4"Y		29	111273	PLAT RAILW/DECALS 8FT 750 ANSI <i>Railing Assembly with Word Decals; USA/Canada models</i>	
4	56912	SPRING CLIP,1/4-20, .025-.15X.5		--	111261	PLAT RAILW/DECALS 8FT 750 AUST <i>Railing Assembly with Word Decals; Australia models</i>	
5	73587	SCREW,PHIL,10-24 X .75		--	111265	PLAT RAILW/DECALS 8FT 750 EURO <i>Railing Assembly with Symbol Decals; European models</i>	
6	6607	WASHER,LOCK,#10 PLTD		--	111269	PLAT RAILW/DECALS 8FT 750A/SOA <i>Railing Assembly with Symbol Decals; Asia/South American models</i>	
7	60476	TOOL HOLDER,PLASTIC.....1		30	6550	U-BOLT,3/8 X 1 YZ	
8	60475	GUSSET,TOOL HOLDER,PLASTIC.....1		31	4828	NUT,NYLOCK,3/8-16 <i>(S-120 only)</i>	
9	6178	NUT,NYLOCK,10-32		32	54355	WASHER,FLAT,SAE,3/8",Y <i>(S-120 only)</i>	
10	6146	WASHER,FLAT,MS,#10,Y		33	56927	PAD,REST,2"THICK,W/STUDS*2 <i>(S-120 only)</i>	
11	49816	SCREW,PHILLIPS,PHM,10-32 X .75		34	61216-S	WELDMENT,PLAT. STOWED SUPPORT1 <i>(S-120 only)</i>	
12	111278	DECAL PLATE ASSY W/WORD DECALS <i>USA/Canada/Australia</i>		35	73478P	FLOORING, 8'FT PLATFORM	
--	102200-S	DECAL PLATE W/SYMB DECALS S120 <i>Europe/Asia/South America</i>		36	54274	SCREW,STEP BOLT,1/4-20 X .75	
13	60474	CUP HOLDER,PLASTIC.....2		37	61322	FOOT SWITCH W/PIGTAIL.....1	
14	60478	CLAMP,1.25"DIA NON-CUSHIONED.....5		--	20262	MICROSWITCH,13482 FOOTSWITCH	
15	73610P-S	STEP PLATFORM ENTRY PAINTED.....1		--	7056	CONN,SQUEEZE,1/2NPT .38-.50,SM	
16	8516	SCREW,HHC,3/8-16 X 1.50,GR5		38	147221	GUARD,FOOTSWITCH,W/DECAL ALUM <i>USA/Canada/Australia</i>	
17	6097	WASHER,FLAT,USS,3/8",Y		--	147121	COVER, FOOT SWITCH, LARGE <i>Europe/Asia/South America</i>	
18	4828	NUT,NYLOCK,3/8-16		39	75039-S	PLATE,AXLE PIN RETAINER.....2	
19	6090	SCREW,HHC,1/4-20 X .75		40	Ref.	Platform Controls <i>(refer to 603.1)</i>	
20	229768	GROMMET,RUBBER,1.0X0.094X1.375.1					
21	44743	MANUAL BOX W/DECALS***1 <i>USA/Canada/Australia</i>					
--	24514	BOX,INSTRUCTION STORAGE <i>Europe/Asia/South America</i>					
22	75537P	PLATE,DOCUMENT BOX MOUNT,PAINT1					
23	56912	SPRING CLIP,1/4-20, .025-.15X.5.....2					
24	56424	CLAMP,1.25X.5 RUBBER-CUSHION.....5					
25	8914	SCREW,HHC,1/4-20 X .625					
26	12443	MIDRAIL GUIDE (HOOK).....2					
27	102992	SLIDING MIDRAIL KIT,PTD.....1					
--	12443	MIDRAIL GUIDE (HOOK)					
--	139451	TUBE,SLIDING MIDRAIL,PAINTED					
--	20973	WIRE LOOM,3/8 POLY SLIT					

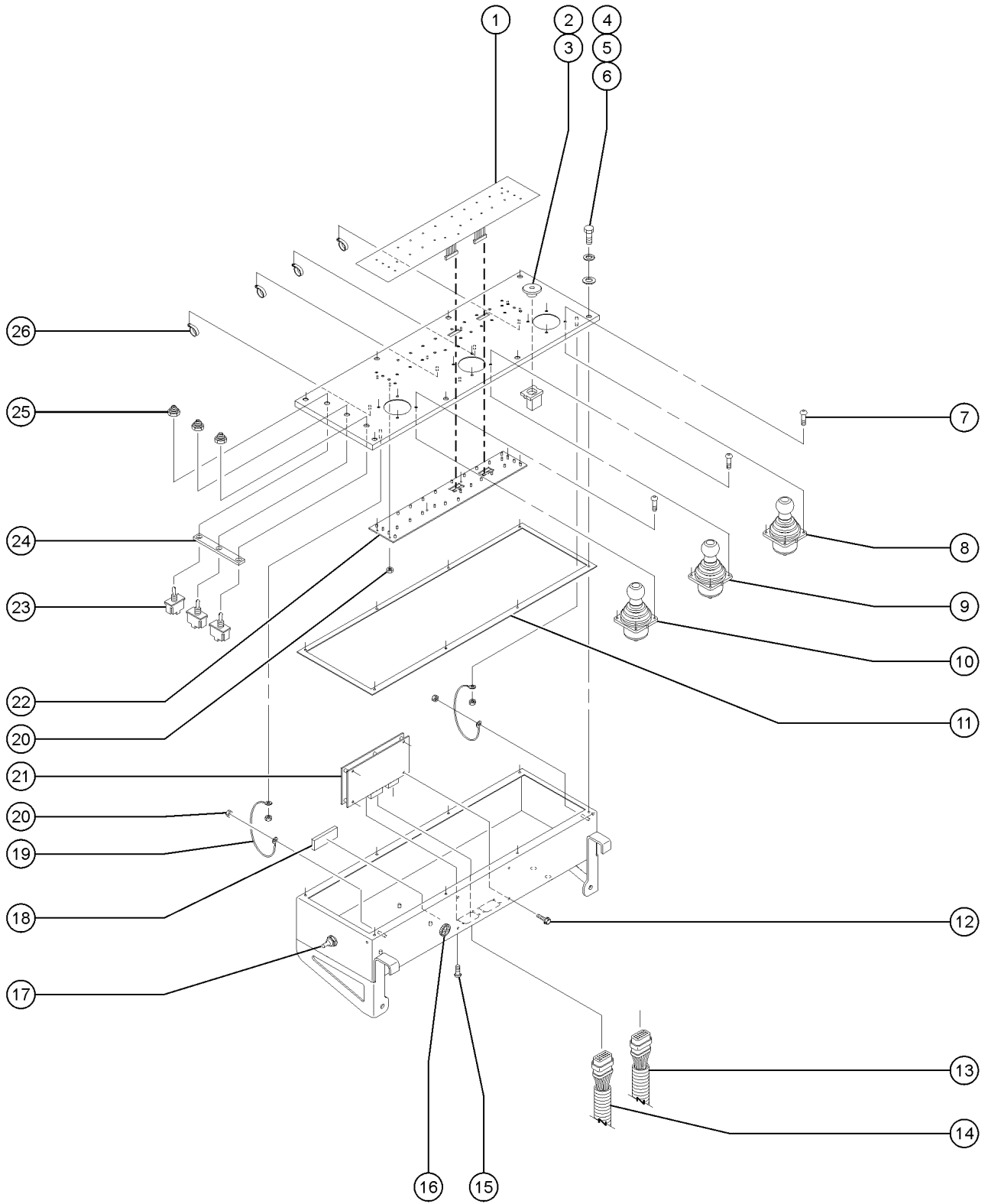
602.1 Platform Installation, S-125 - View 2



602.1 Platform Installation, S-125 - View 2

Item	Part No.	Description	Qty.	Item	Part No.	Description	Qty.
1	6888	SCREW,HHC,1/4-20 X 1		--	21121	CABLE TIE,4" BLK,HEAT RESISTNT	
2	6356	WASHER,LOCK, .25		28	6091	NUT,NYLOCK,1/4-20	
3	6638	WASHER,FLAT,USS,1/4"Y		29	111253	PLAT RAILW/DECALS 8FT 500 ANSI <i>Railing Assembly with Word Decals; USA/Canada models</i>	
4	56912	SPRING CLIP,1/4-20,.025-.15X.5		--	101383	PLAT RAIL ASSY,8FT,AUSTRALIA <i>Railing Assembly with Word Decals; Australia models</i>	
5	73587	SCREW,PHIL,10-24 X .75		--	101382	PLATFORM RAIL ASSY,8FT,CE/UK <i>Railing Assembly with Symbol Decals; European models</i>	
6	6607	WASHER,LOCK,#10 PLTD		--	101384	PLAT ASSEMBLY,8FT,ASIA/S AM <i>Railing Assembly with Symbol Decals; Asia/South American models</i>	
7	60476	TOOL HOLDER,PLASTIC.....1		30	6550	U-BOLT,3/8 X 1 YZ	
8	60475	GUSSET,TOOL HOLDER,PLASTIC.....1		31	73478P	FLOORING, 8'FT PLATFORM	
9	6178	NUT,NYLOCK,10-32		32	54274	SCREW,STEP BOLT,1/4-20 X .75	
10	6146	WASHER,FLAT,MS,#10,Y		33	61322	FOOT SWITCH W/PIGTAIL.....1	
11	49816	SCREW,PHILLIPS,PHM,10-32 X .75		--	20262	MICROSWITCH,13482 FOOTSWITCH	
12	111278	DECAL PLATE ASSY W/WORD DECALS <i>USA/Canada/Australia</i>		--	7056	CONN,SQUEEZE,1/2NPT .38-.50,SM	
--	102200-S	DECAL PLATE W/SYMB DECALS S120 <i>Europe/Asia/South America</i>		34	147221	GUARD,FOOTSWITCH,W/DECAL ALUM <i>USA/Canada/Australia</i>	
13	60474	CUP HOLDER,PLASTIC.....2		--	147121	COVER, FOOT SWITCH, LARGE <i>Europe/Asia/South America</i>	
14	60478	CLAMP,1.25"DIA NON-CUSHIONED.....5		35	75039-S	PLATE,AXLE PIN RETAINER.....2	
15	73610P-S	STEP PLATFORM ENTRY PAINTED.....1		36	Ref.	Platform Controls <i>(refer to 603.1)</i>	
16	8516	SCREW,HHC,3/8-16 X 1.50,GR5					
17	6097	WASHER,FLAT,USS,3/8",Y					
18	4828	NUT,NYLOCK,3/8-16					
19	6090	SCREW,HHC,1/4-20 X .75					
20	229768	GROMMET,RUBBER,1.0X0.094X1.375.1					
21	44743	MANUAL BOX W/DECALS***.....1 <i>USA/Canada/Australia</i>					
--	24514	BOX,INSTRUCTION STORAGE <i>Europe/Asia/South America</i>					
22	75537P	PLATE,DOCUMENT BOX MOUNT,PAINT.....1					
23	56912	SPRING CLIP,1/4-20,.025-.15X.5.....2					
24	56424	CLAMP,1.25X.5 RUBBER-CUSHION.....5					
25	8914	SCREW,HHC,1/4-20 X .625					
26	12443	MIDRAIL GUIDE (HOOK).....2					
27	102992	SLIDING MIDRAIL KIT,PTD.....1					
--	12443	MIDRAIL GUIDE (HOOK)					
--	139451	TUBE,SLIDING MIDRAIL,PAINTED					
--	20973	WIRE LOOM,3/8 POLY SLIT					

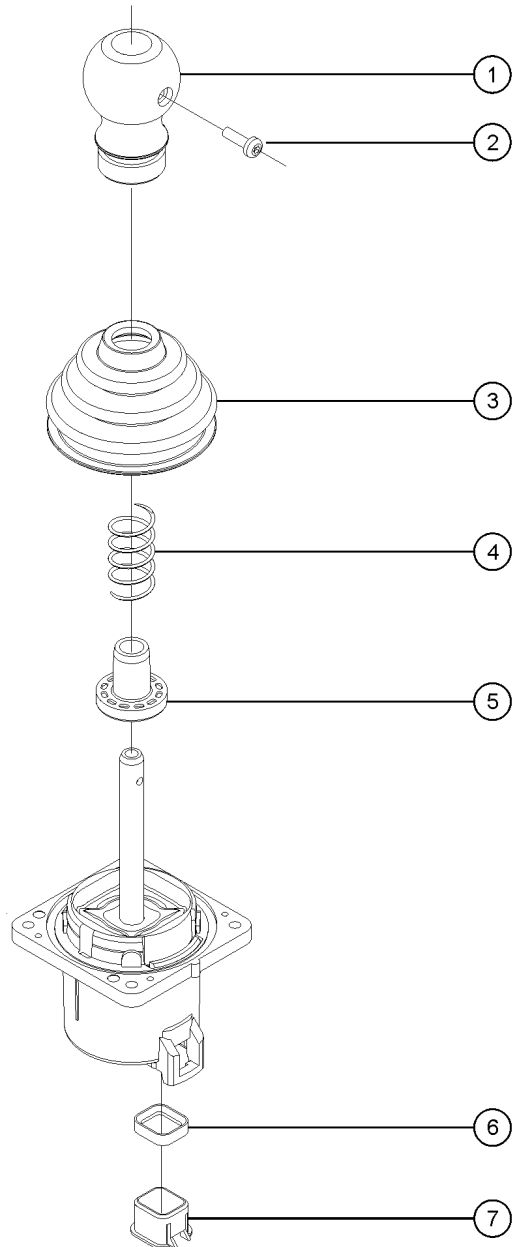
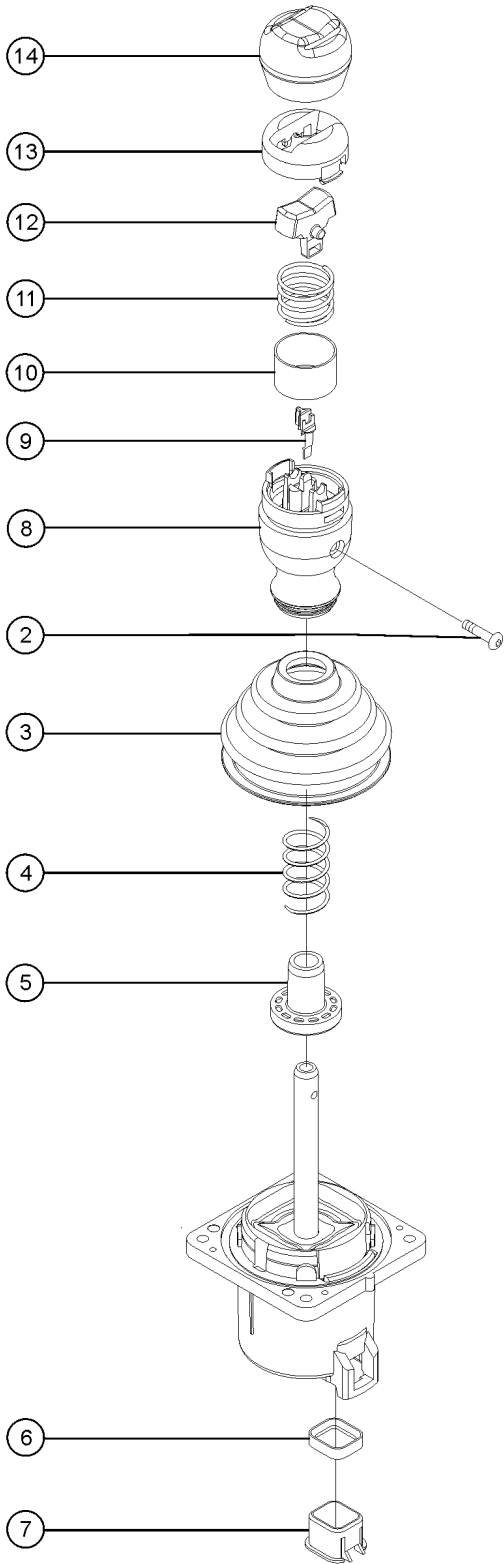
603.1 Platform Controls



603.1 Platform Controls

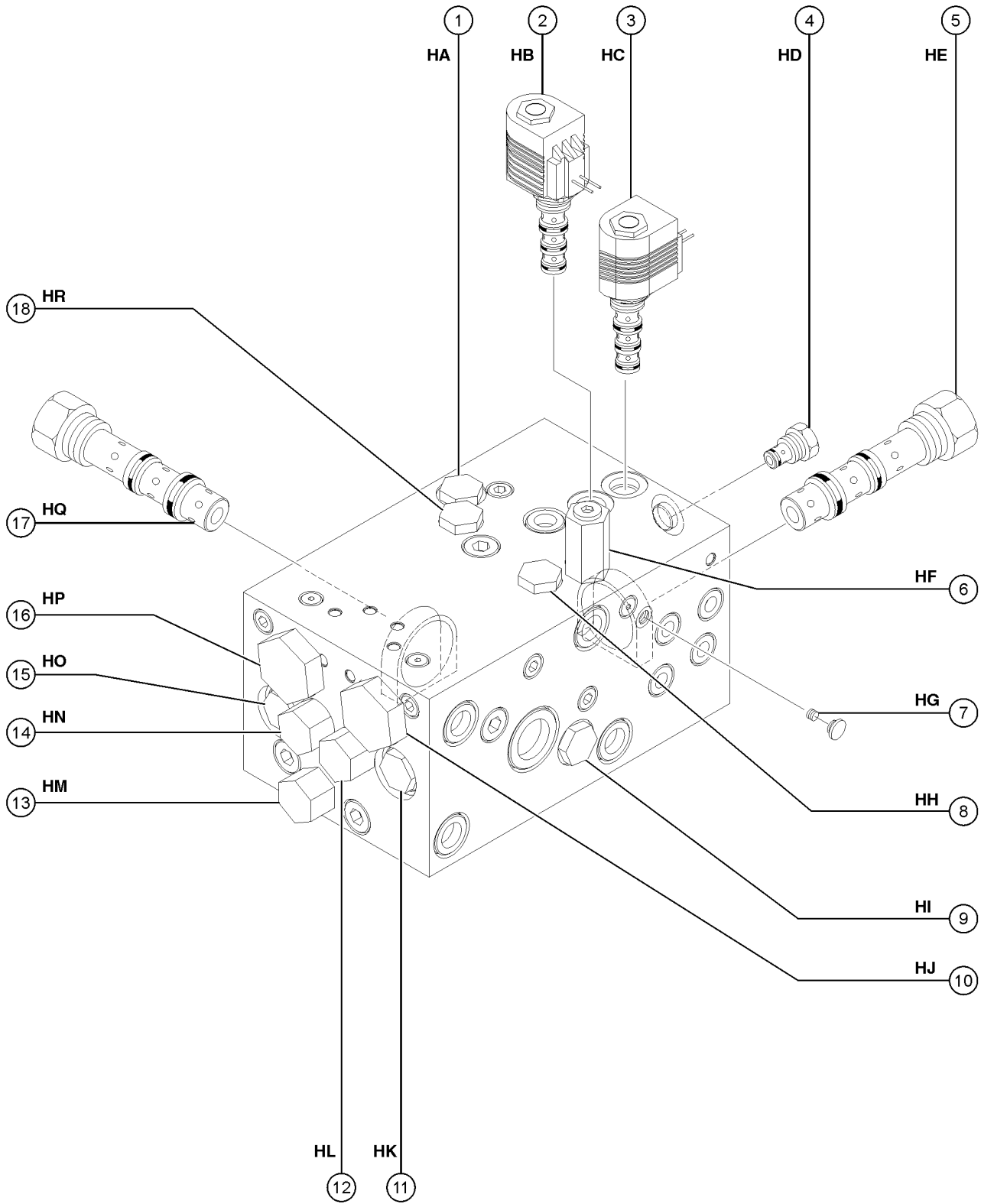
Item	Part No.	Description	Qty.	Item	Part No.	Description	Qty.
--	146389	CONTROL BOX ASSY, PCON V3.00		18	30997	CORROSION INHIBITOR,FOAM.....1	
1	50810	SWITCH,MEMBRANE,PLATFORM.1		19	62388	LANYARD,BEAD CHAIN, TCON.....2	
2	122519	KIT,ESTOP SVC LARGE BOOM.....1		20	62389	NUT,HEX,6/32 W/STAR WASHER	
3	66812	BUTTON,PUSH,RED MUSHROOM HEAD.....1		21	146390	PCB,ASSY,ECM,PLATFORM,VER 3.00	
--	146478	BOOT(BELLOWS),E-STOP,BLACK		--	122078	HARNESS,PCON INTERNAL CONTROL	
--	66818	CONTACT,NC		--	34052	RELAY,SPDT,12V(AUTO) PLUG IN**	
--	66821	BASE,WITHOUT CONTACTS		22	62399	PCB,MEMBRANE/LED,SB/Z80.....1	
4	7339	SCREW,HHC,1/4-20 X .5		23	13037-S	SWITCH,TOGGLE,SPDT,3POS MOMEN*.....3	
5	6356	WASHER,LOCK,.25		24	75141	PLATE,TOGGLE SWITCH MOUNT,PCON.....1	
6	75144	WASHER,FLAT,SAE 1/4",ZINC		25	27246	BOOT,TOGGLE SWITCH,SHORT*.....3	
7	62385	SCREW,PHM,M5X.8X10MM SELF TAP		26	75142	CABLE TIE,STUD MOUNT (PCON).....5	
8		JOYSTICK,2 AXIS,DEUTSCH.....1 <i>Dual axis for drive and steer functions (refer to 604.1)</i>					
--		JOYSTICK,1 AXIS ROCKER,DEUTSCH <i>Single axis for drive and thumb rocker for steer functions (refer to 604.1)</i>					
9		JOYSTICK,1 AXIS,DEUTSCH.....1 <i>Single axis for boom extend/retract function (refer to 604.1)</i>					
10		JOYSTICK,2 AXIS,DEUTSCH.....1 <i>Dual axis for boom up/down and turntable rotate left/right functions (refer to 604.1)</i>					
11	62382	GASKET,PLATF. CNTRLS.SUPERBOOM.....1					
12	62386	SCREW,LOCKING FLANGE 6/32X.375					
13	60950	HARNESS,PCON J2,(MANIFOLD) (S-120)					
--	122954	HARNESS,J2 PLAT MANFD W/JIB (S-125); from SN S12512D-176					
--	60384	HARNESS,PCON J2.....1 (S-125); to SN S12512D-175					
14	146194	HARNESS,BOOM/SAE UPPER S125					
--	121657	FUSE HOLDER,ATC 1-20 AMPS					
--	69864	FUSE,5 AMP,ATC					
15	62387	SCREW,PHM, 4-20 X .25 SELF TAP					
16	62379	ALARM,AUDIO,SUPERBOOM*.....1					
--	72326	NUT - PLASTIC,RING FOR ALARMS					
17	229567	PLUG, SANTOPRENE .5 BLACK DOME					

604.1 Joysticks



Item	Part No.	Description	Qty.
--	101174	JOYSTICK,2 AXIS,DEUTSCH <i>OEM joystick (calibration required after replacement)</i>	
--	101174H	JOYSTICK,DUAL AXIS W/KNOB <i>aftermarket joystick (calibration required after replacement)</i>	
--	101175	JOYSTICK,1 AXIS,DEUTSCH <i>OEM joystick (calibration required after replacement)</i>	
--	101175H	JOYSTICK,SINGLE AXIS W/KNOB <i>aftermarket joystick (calibration required after replacement)</i>	
--	101005	JOYSTICK,1 AXIS ROCKER,DEUTSCH <i>OEM joystick (calibration required after replacement)</i>	
--	101005H	JOYSTICK,SINGLE AXIS W/STEER <i>aftermarket joystick (calibration required after replacement)</i>	
--	83098	TERM,AMP MTE,SOC,22-26 GA BULK	
1	62392	KNOB,JOYSTICK, 62390/62391.....	1
2	T112626	SCREW, PHM, #6-32 X .625 ZINC.....	1
3	139598	BOOT,JOYSTICK.....	1
4	62395	SPRING,JOYSTK CENTR,62390/91.....	1
5	119915	COLLAR,JOYSTICK,CENTER.....	1
6	128000	SEAL, CONNECTOR (DT JOYSTICKS).....	1
7	128001	SLEEVE,CONNECTOR,DT JOYSTICKS.....	1
8	75449	KNOB,ROCKER JOYSTICK 75565.....	1
9	75448	SUPPORT,SENSOR,JOYSTICK.....	1
10	75447	SWITCH SHIELD,ROCK JOYSTK75565.....	1
11	75446	SPRING,SWITCH CENTERING,75565.....	1
12	75445	ROCKER ASSY.,MAGNETIC 75565.....	1
13	75444	ROCKER,RETAINER, 75565.....	1
14	75443	BOOT, ROCKER JOYSTICK 75565.....	1

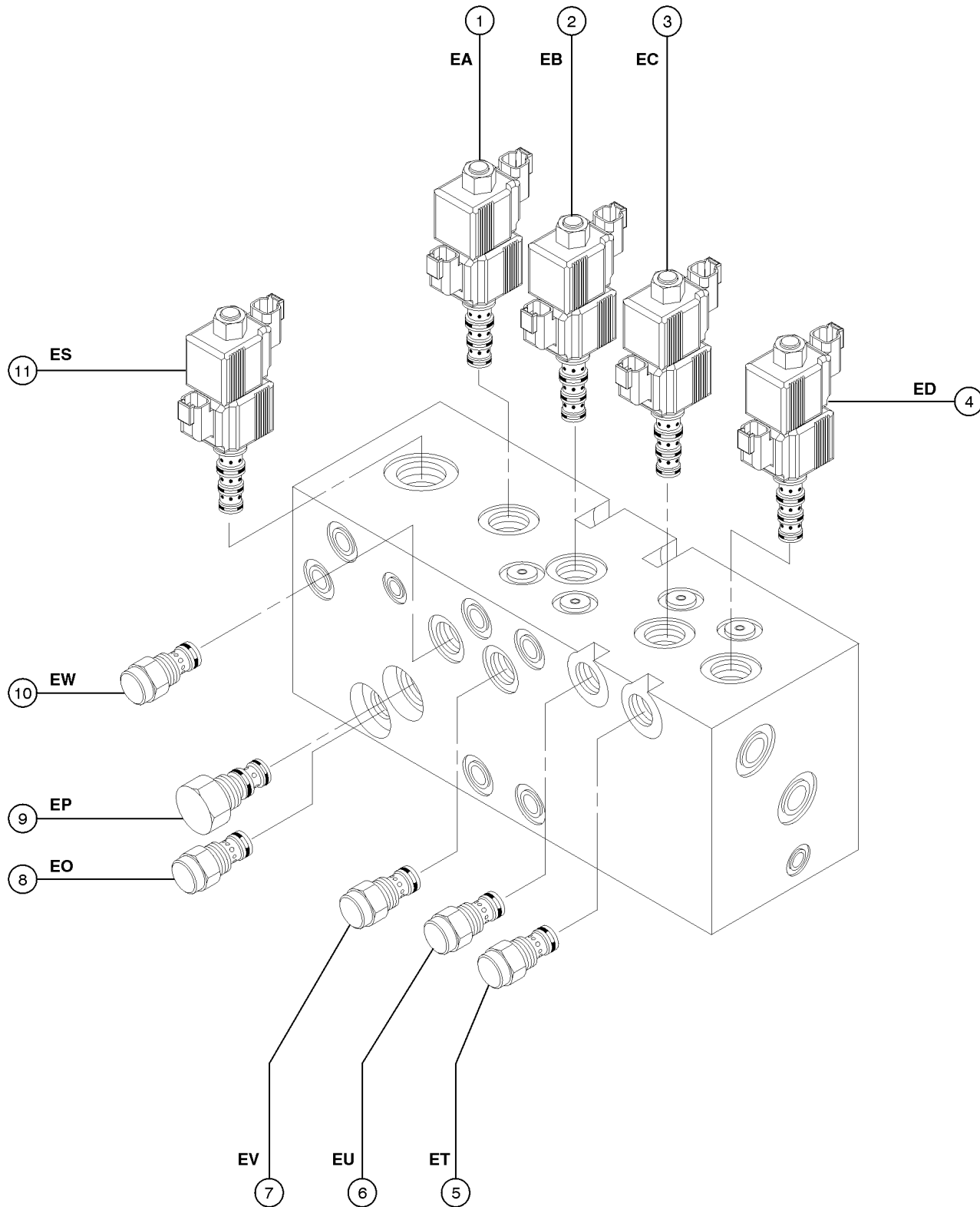
701.1 Traction Manifold



701.1 Traction Manifold

Item	Part No.	Description	Qty.	Item	Part No.	Description	Qty.
--	70241	MANIFOLD,TRACTION,4WD <i>(complete)</i>		--	89310	SEAL KIT, SOLENOID VALVE	
1	27836	VALVE,CHECK,5 PSI <i>HA, Anti-cavitation</i>		14	52723	VALVE-FLOW REGULATOR 2 GPM <i>HN, Equalizes pressure on both sides of divider/combiner valve FQ</i>	
--	110194	SEAL KIT, VALVE, #10		--	89310	SEAL KIT, SOLENOID VALVE	
2	77489	VALVE,SOLENOID 2 POS.3 WAY <i>HB, Two-speed drive motor shift</i>		15	69873	VALVE, CHECK <i>HO, Anti-cavitation</i>	
--	72043	SEAL KIT,SOLENOID VALVE		--	74902	SEAL KIT, VALVE	
3	77489	VALVE,SOLENOID 2 POS.3 WAY <i>HC, Brake release</i>		16	62252	VALVE, FLOW DIVIDER COMBINER <i>HP, Controls flow to circle end drive motors in forward and reverse</i>	
--	72043	SEAL KIT,SOLENOID VALVE		--	84135	SEAL KIT, VALVE	
4	69873	VALVE, CHECK <i>HD, Keeps brakes released in case of temporary loss of charge pressure</i>		17	52726	VALVE,FLOW DIVIDER/COMBINER <i>HQ, Controls flow to divider/combiner valves FJ and FP</i>	
--	74902	SEAL KIT, VALVE		--	84135	SEAL KIT, VALVE	
5	27761	VALVE,SHUTTLE <i>HE, Charge pressure circuit that directs hot oil out of low pressure side of drive pump</i>		18	69873	VALVE, CHECK <i>HR, Anti-cavitation</i>	
--	84134	SEAL KIT, VALVE		--	74902	SEAL KIT, VALVE	
6	62253	VALVE,RELIEF,250 PSI <i>HF, Charge pressure circuit</i>					
--	74902	SEAL KIT, VALVE					
7	102496	ORIFICE,PLUG 0.030 <i>HG, Brake and two-speed circuit</i>					
8	69873	VALVE, CHECK <i>HH, Anti-cavitation</i>					
--	74902	SEAL KIT, VALVE					
9	27836	VALVE,CHECK,5 PSI <i>HI, Anti-cavitation</i>					
--	110194	SEAL KIT, VALVE, #10					
10	62252	VALVE, FLOW DIVIDER COMBINER <i>HJ, Controls flow to square end drive motors in forward and reverse</i>					
--	84135	SEAL KIT, VALVE					
11	69873	VALVE, CHECK <i>HK, Anti-cavitation</i>					
--	74902	SEAL KIT, VALVE					
12	52723	VALVE-FLOW REGULATOR 2 GPM <i>HL, Equalizes pressure on both sides of divider/combiner valve FJ</i>					
--	89310	SEAL KIT, SOLENOID VALVE					
13	52723	VALVE-FLOW REGULATOR 2 GPM <i>HM, Equalizes pressure on both sides of divider/combiner valve FQ</i>					

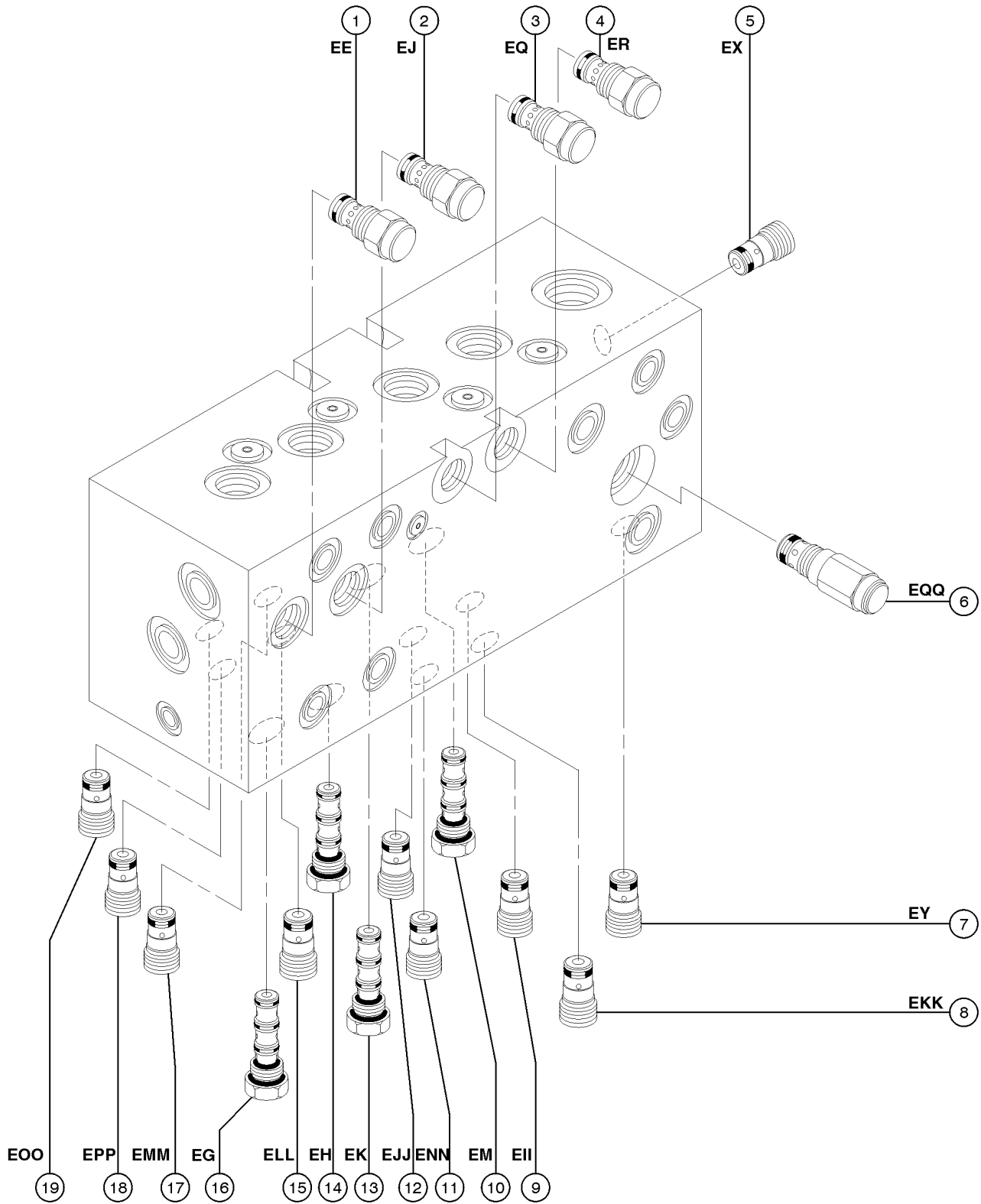
702.1 Steer and Axle Extend/Retract Manifold - View 1



702.1 Steer and Axle Extend/Retract Manifold - View 1

Item	Part No.	Description	Qty.	Item	Part No.	Description	Qty.
--	102701	MANIFOLD,4 WHEEL STEER		8	62324	VALVE,FLOW CONTROL, 0.1GPM* <i>EO, Bleeds off differential valve to tank</i>	
1	39346	VALVE,SOLENOID 3 POS.4 WAY*** <i>EA, Steering cylinder control, square end, right side</i>		--	44227	SEAL KIT, VALVE	
--	104759	COIL,12VDC #8 DTSCH IP69 ECOIL		9	62323	VALVE,DIFFERENTIAL SENSE110PSI <i>EP, Meters flow to functions sensing</i>	
--	44174	NUT-COIL SHORT		--	62337	SEAL KIT, VALVE	
--	44229	SEAL KIT, VALVE		10	62347	VALVE-FLOW REGULATOR, 1.4 GPM* <i>EW, Steering cylinder speed, square end, left side, retract</i>	
--	44236	SPACER-DUAL COIL,#8***		--	44227	SEAL KIT, VALVE	
2	39346	VALVE,SOLENOID 3 POS.4 WAY*** <i>EB, Steering cylinder control, square end, left side</i>		11	62330	VALVE,SOLENOID,3POS 4WAY*** <i>ES, Axle extend control</i>	
--	104759	COIL,12VDC #8 DTSCH IP69 ECOIL		--	104760	COIL,12VDC #10DTSCH IP69 ECOIL	
--	44174	NUT-COIL SHORT		--	44174	NUT-COIL SHORT	
--	44229	SEAL KIT, VALVE		--	44175	SPACER-DUAL COIL,#10, SCISSORS	
--	44236	SPACER-DUAL COIL,#8***		--	44230	SEAL KIT-P.N.44169,44172,44171	
3	39346	VALVE,SOLENOID 3 POS.4 WAY*** <i>EC, Steering cylinder control, round end, right side</i>					
--	104759	COIL,12VDC #8 DTSCH IP69 ECOIL					
--	44174	NUT-COIL SHORT					
--	44229	SEAL KIT, VALVE					
--	44236	SPACER-DUAL COIL,#8***					
4	39346	VALVE,SOLENOID 3 POS.4 WAY*** <i>ED, Steering cylinder control, round end left side</i>					
--	104759	COIL,12VDC #8 DTSCH IP69 ECOIL					
--	44174	NUT-COIL SHORT					
--	44229	SEAL KIT, VALVE					
--	44236	SPACER-DUAL COIL,#8***					
5	62347	VALVE-FLOW REGULATOR, 1.4 GPM* <i>ET, Steering cylinder speed, round end, right side, retract</i>					
--	44227	SEAL KIT, VALVE					
6	62346	VALVE,FLOW REGULATOR, 2.0 GPM* <i>EU, Steering cylinder speed, round end, left side, extend</i>					
--	44227	SEAL KIT, VALVE					
7	62346	VALVE,FLOW REGULATOR, 2.0 GPM* <i>EV, Steering cylinder speed, square end, right side, extend</i>					
--	44227	SEAL KIT, VALVE					

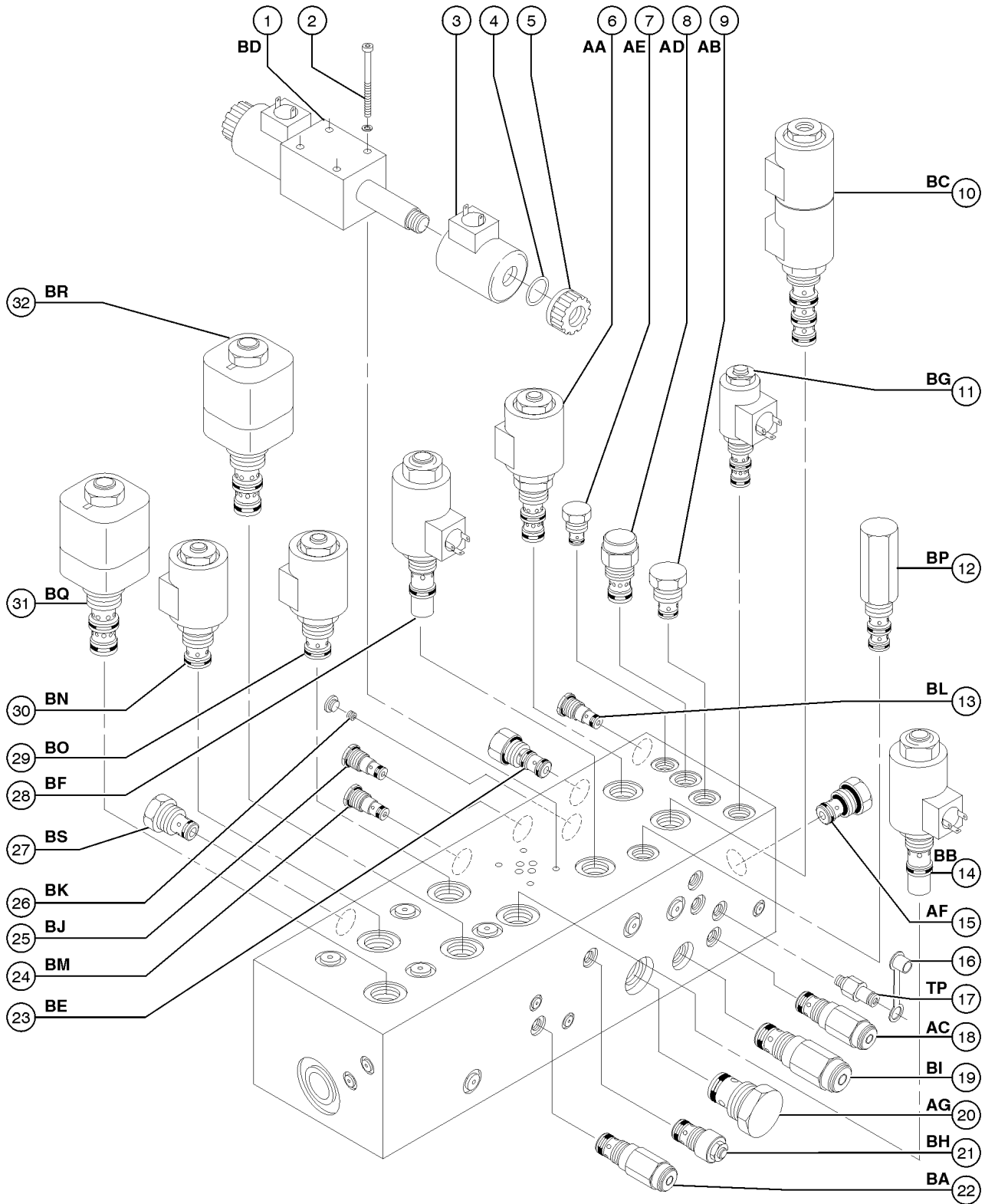
703.1 Steer and Axle Extend/Retract Manifold - View 2



703.1 Steer and Axle Extend/Retract Manifold - View 2

Item	Part No.	Description	Qty.	Item	Part No.	Description	Qty.
--	102701	MANIFOLD,4 WHEEL STEER		--	62341	SEAL KIT,52907,SIZE 4, 2 WAY	
1	62346	VALVE,FLOW REGULATOR, 2.0 GPM* <i>EE, Steering cylinder speed</i>		13	101958	VALVE,CHECK,DUAL PILOT,135 PSI <i>EK, Steering cylinder lock, square end, left side, extend/retract</i>	
--	44227	SEAL KIT, VALVE		14	101958	VALVE,CHECK,DUAL PILOT,135 PSI <i>EH, Steering cylinder lock, circle end, right side, extend/retract</i>	
2	62347	VALVE-FLOW REGULATOR, 1.4 GPM* <i>EJ, Steering cylinder speed, circle end, left side, retract</i>		15	52907	VALVE-CHECK, #4 SAE, 5 PSI* <i>ELL, Steering load sense, circle end, right side, retract</i>	
--	44227	SEAL KIT, VALVE		--	62341	SEAL KIT,52907,SIZE 4, 2 WAY	
3	62347	VALVE-FLOW REGULATOR, 1.4 GPM* <i>EQ, Steering cylinder speed, square end, right side, retract</i>		16	101958	VALVE,CHECK,DUAL PILOT,135 PSI <i>EG, Steering cylinder lock, circle end, left side, extend/retract; to SN 1195</i>	
--	44227	SEAL KIT, VALVE		17	52907	VALVE-CHECK, #4 SAE, 5 PSI* <i>EMM, Steering load sense, circle end, right side, extend</i>	
4	62346	VALVE,FLOW REGULATOR, 2.0 GPM* <i>ER, Steering cylinder speed, square end, left side, extend</i>		--	62341	SEAL KIT,52907,SIZE 4, 2 WAY	
--	44227	SEAL KIT, VALVE		18	52907	VALVE-CHECK, #4 SAE, 5 PSI* <i>EPP, Steering load sense, circle end, left side, extend</i>	
5	52907	VALVE-CHECK, #4 SAE, 5 PSI* <i>EX, Axle extend load sense, both ends</i>		--	62341	SEAL KIT,52907,SIZE 4, 2 WAY	
--	62341	SEAL KIT,52907,SIZE 4, 2 WAY		19	52907	VALVE-CHECK, #4 SAE, 5 PSI* <i>EOO, Steering load sense, circle end, left side, retract</i>	
6	62365	VALVE,RELIEF,1800 PSI,AXLE EXT <i>EQQ, Axle extend</i>		--	62341	SEAL KIT,52907,SIZE 4, 2 WAY	
--	44227	SEAL KIT, VALVE					
7	52907	VALVE-CHECK, #4 SAE, 5 PSI* <i>EY, Axle retract load sense, both ends</i>					
--	62341	SEAL KIT,52907,SIZE 4, 2 WAY					
8	52907	VALVE-CHECK, #4 SAE, 5 PSI* <i>EKK, Steering load sense, square end, right side, extend</i>					
--	62341	SEAL KIT,52907,SIZE 4, 2 WAY					
9	52907	VALVE-CHECK, #4 SAE, 5 PSI* <i>EII, Steering load sense, square end, right side, retract</i>					
--	62341	SEAL KIT,52907,SIZE 4, 2 WAY					
10	101958	VALVE,CHECK,DUAL PILOT,135 PSI <i>EM, Steering cylinder lock, square end, right side, extend/retract</i>					
11	52907	VALVE-CHECK, #4 SAE, 5 PSI* <i>ENN, Steering load sense, square end, left side, retract</i>					
--	62341	SEAL KIT,52907,SIZE 4, 2 WAY					
12	52907	VALVE-CHECK, #4 SAE, 5 PSI* <i>EJJ, Steering load sense, square end, left side, extend</i>					

704.1 Function Manifold



704.1 Function Manifold

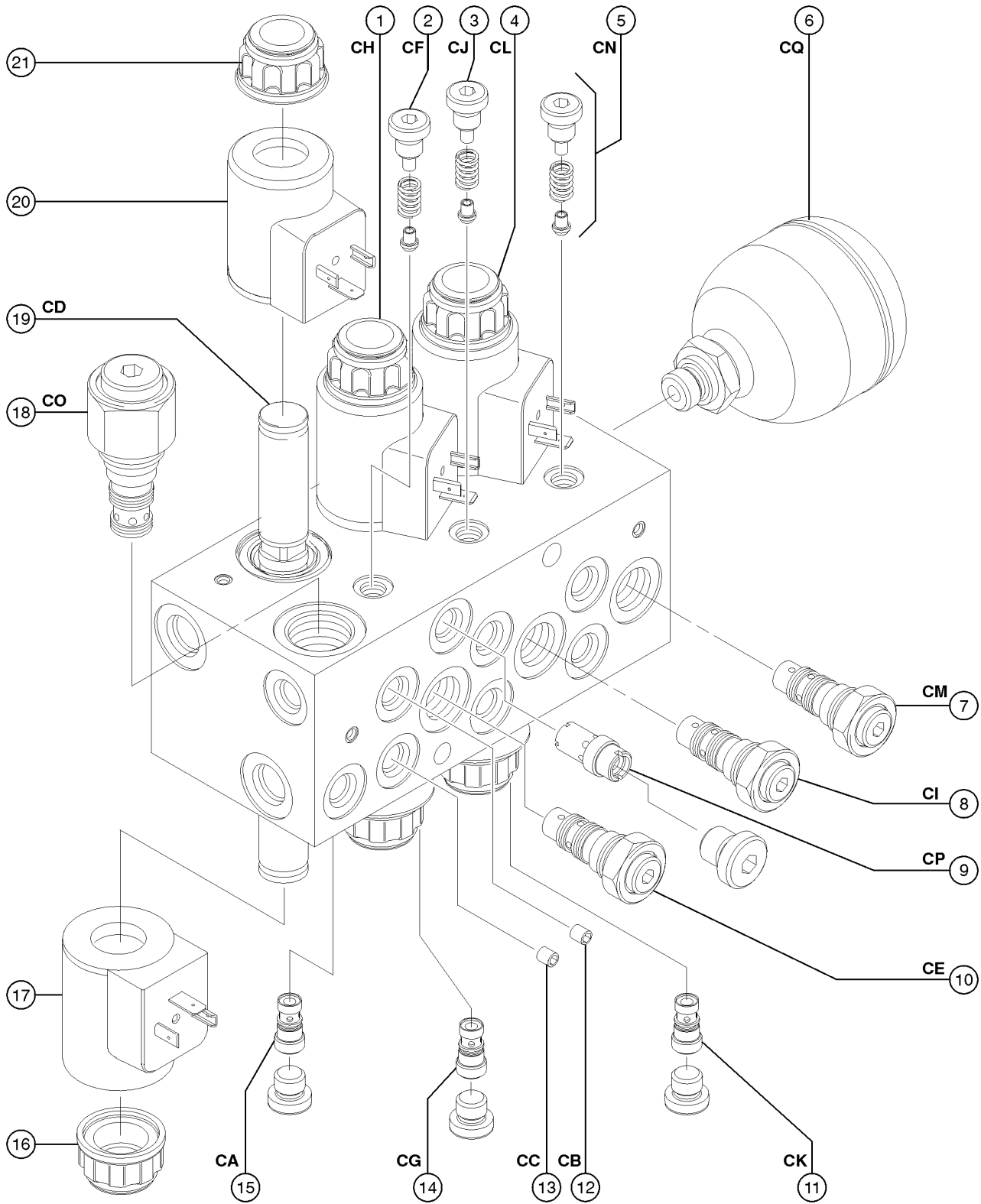
Item	Part No.	Description	Qty.	Item	Part No.	Description	Qty.
--	122439	MANIFOLD,FUNCTION,S120/125 (complete)		12	75462	VALVE,DIFFERENTIAL SENSE230PSI <i>BP, Directs flow to functions</i>	
--	146193	HARNESS, TCON J4 MANIFOLD 2009		--	62337	SEAL KIT, VALVE	
1	102394	VLV,SOL,DO3,REXROTH,3POS 4 WAY <i>BD, Boom up/down</i>		13	46216	VALVE,CHECK,IWP-S/CWP PWR ASSI <i>BL, Turntable rotate load sense check</i>	
--	102395	SEAL KIT,REXROTH DO3 VALVE		--	44227	SEAL KIT, VALVE	
2	45916	SCREW,SHC,10-24 X 1.250 (D01)		14	75464	VALVE,SOLENOID,PROPORT. N.C. <i>BB, Boom extend/retract proportional speed control</i>	
3	97388	VALVE ASSY,D03,REX,3POS 4WAY		--	52373	SEAL KIT,52372,SOLENOID VALVE	
--	102398	COIL,DIN,REXROTH DO3 VALVE		--	52466	NUT,PROPORTNL. COIL,52372,GS68	
4	102395	SEAL KIT,REXROTH DO3 VALVE		--	62335	COIL,PROPORTIONAL,62327,DIN	
5	102396	NUT-COIL,REXROTH DO3 VALVE		15	44178	VALVE,CHECK,5 PSI** <i>AF, Blocks flow from auxiliary pump, ports 2A and 3A to pump 2</i>	
6	75458	VALVE,SOLENOID,2POS3WAY,SUPRB <i>AA, Auxiliary drive/steer selector</i>		--	44224	SEAL KIT, VALVE	
--	44174	NUT-COIL SHORT		16	48880	CAP,DIAGNOSTIC NIPPLE	
--	62334	COIL,62328/62330,SIZE 10,DIN		17	48997	NIPPLE,DIAGNOSTIC,#4 PORT*** <i>TP, Testing</i>	
--	62337	SEAL KIT, VALVE		--	20224	DIAGNOSTIC FEMALE Q-DSCNT	
7	52907	VALVE-CHECK, #4 SAE, 5 PSI* <i>AE, Blocks flow from pump 2 to auxiliary pump</i>		--	49207	NIPPLE,DIAGNOSTIC,ORFS,FM,SWIV	
--	62341	SEAL KIT,52907,SIZE 4, 2 WAY		--	75098	HARNESS,PRESSURE TRANSDUCER	
8	75457	VALVE-FLOW REGULATOR 3.0 GPM <i>AD, Priority flow to platform</i>		18	52374	VALVE,RELIEF,3000PSI,GS68PUMP1 <i>AC, Platform manifold pressure limit</i>	
--	44225	SEAL KIT, VALVE		--	44224	SEAL KIT, VALVE	
9	46216	VALVE,CHECK,IWP-S/CWP PWR ASSI <i>AB, Blocks flow from pump 1 and 2 to auxiliary pump</i>		19	62325	VALVE,RELIEF,2600 PSI,SIZE 10 <i>BI, Turntable, primary lift and boom retract pressure limit</i>	
--	44227	SEAL KIT, VALVE		--	44224	SEAL KIT, VALVE	
10	62330	VALVE,SOLENOID,3POS 4WAY*** <i>BC, Turntable rotate control, left/right</i>		20	75456	VALVE-CHECK SIZE 12(SUPRBOOM) <i>AG, Blocks flow from auxiliary pump, port 2A to pump 1</i>	
--	44174	NUT-COIL SHORT		--	62338	SEAL KIT,62328,SIZE 12,2 PORT	
--	44175	SPACER-DUAL COIL,#10, SCISSORS		21	65907	PLUG,CAVITY,T-11A,1-2 OPEN	
--	44230	SEAL KIT-P.N.44169,44172,44171		22	52905	VALVE-RELIEF,1800 PSI <i>BA, Boom extend pressure limit</i>	
--	62334	COIL,62328/62330,SIZE 10,DIN		--	44227	SEAL KIT, VALVE	
11	62326	VALVE,PROPORTIONAL SOLENOID <i>BG, Turntable rotate, proportional speed control</i>		23	62324	VALVE,FLOW CONTROL, 0.1GPM* <i>BE, Leads off differential sensing valve to tank</i>	
--	44227	SEAL KIT, VALVE					
--	62332	COIL,PROPORTNL.62326,SIZE8,DIN					
--	62349	NUT,COIL,PROPORTNL.VALVE					

704.1 Function Manifold
(continued)

Item	Part No.	Description	Qty.
--	44227	SEAL KIT, VALVE	
24	52907	VALVE-CHECK, #4 SAE, 5 PSI* <i>BM, Extension cylinder load sense check</i>	
--	62341	SEAL KIT,52907,SIZE 4, 2 WAY	
25	52907	VALVE-CHECK, #4 SAE, 5 PSI* <i>BJ, Primary lift load sense check</i>	
--	62341	SEAL KIT,52907,SIZE 4, 2 WAY	
26	62336	ORIFICE PLUG, 0.040 <i>BK, Differential sensing damping</i>	
27	75465	VALVE-CHECK, #12 SAE,30 PSI <i>BS, Back pressure check, boom extend</i>	
--	62338	SEAL KIT,62328,SIZE 12,2 PORT	
28	75464	VALVE,SOLENOID,PROPORT. N.C. <i>BF, Primary lift, proportional speed control</i>	
--	52373	SEAL KIT,52372,SOLENOID VALVE	
--	52466	NUT,PROPORTNL. COIL,52372,GS68	
--	62335	COIL,PROPORTIONAL,62327,DIN	
29	62328	VALVE,SOLENOID,NC,POPPET <i>BO, Boom extend sequence control</i>	
--	44174	NUT-COIL SHORT	
--	62334	COIL,62328/62330,SIZE 10,DIN	
--	62338	SEAL KIT,62328,SIZE 12,2 PORT	
30	62328	VALVE,SOLENOID,NC,POPPET <i>BN, Boom retract sequence control</i>	
--	44174	NUT-COIL SHORT	
--	62334	COIL,62328/62330,SIZE 10,DIN	
--	62338	SEAL KIT,62328,SIZE 12,2 PORT	
31	75463	VALVE,SOLENOID, 2POS 3WAY <i>BQ, Boom retract control</i>	
--	62333	COIL,62329,SIZE12,W/FRAME,DIN	
--	62339	SEAL KIT,62329,SIZE 12, 3 WAY	
--	62344	NUT,COIL,DOMED,SIZE 12, 62329	
32	62329	VALVE,SOLENOID, 2POS 3WAY <i>BR, Boom extend control</i>	
--	62333	COIL,62329,SIZE12,W/FRAME,DIN	
--	62339	SEAL KIT,62329,SIZE 12, 3 WAY	
--	62344	NUT,COIL,DOMED,SIZE 12, 62329	

This Page Intentionally Left Blank

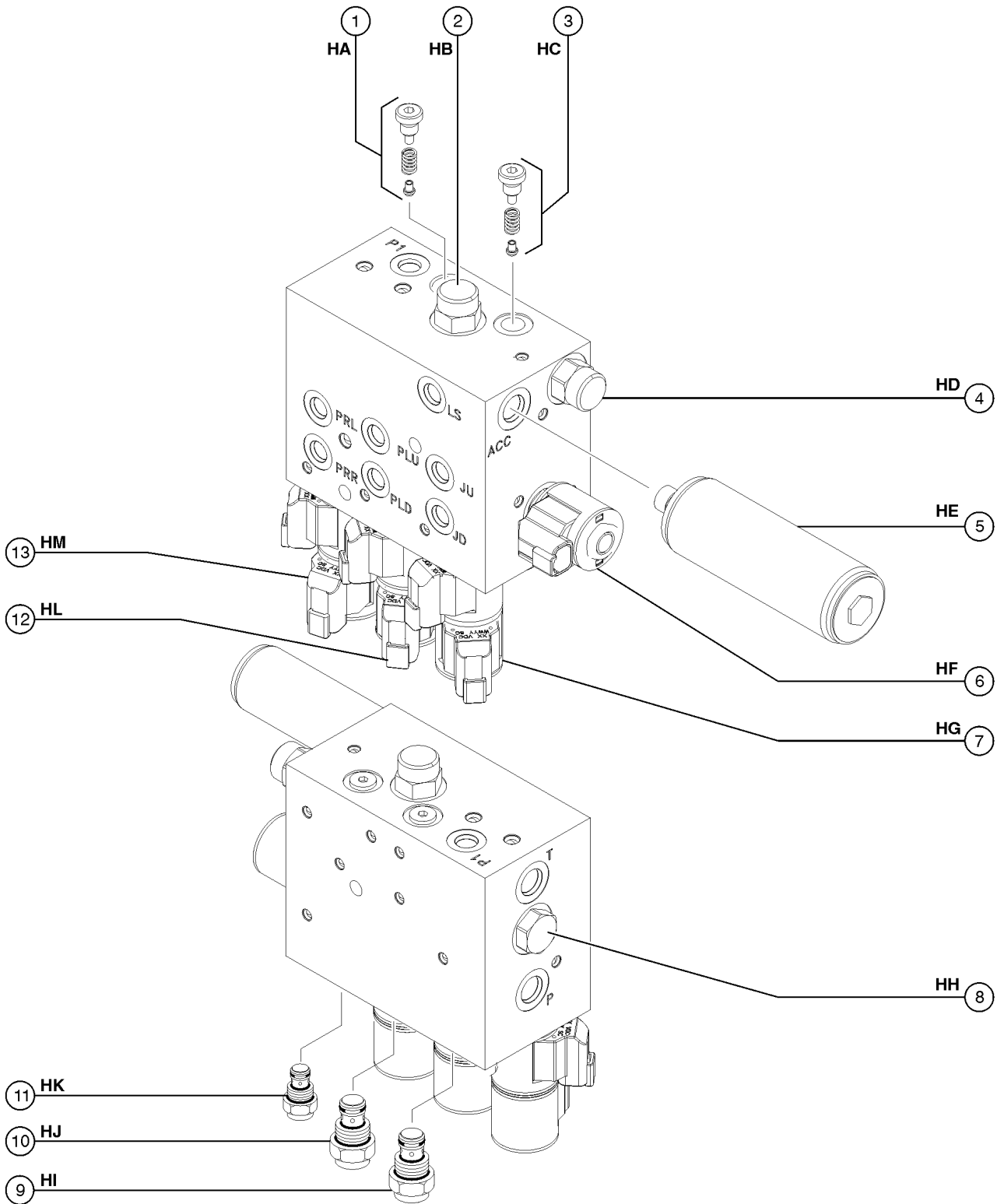
705.1 Platform Manifold, S-125 (to SN S12512D-175)



705.1 Platform Manifold, S-125 (to SN S12512D-175)

Item	Part No.	Description	Qty.	Item	Part No.	Description	Qty.
--	230993	S105/125 PLAT MNFD SRV KIT <i>Shown manifold is no longer available. For a complete and first time replacement of previous manifold 60365 order service kit 230993 (includes manifold part 233942, accumulator part 122964 and harness part 122954, refer to 705.2 and 603.1)</i>		--	62361	SEAL KIT,VALVE 62357, HYDAC	
1	62350	VALVE,SOLENOID,3POS4WAY,HYDAC <i>CH, Platform level up/down</i>		11	62359	VALVE,SHUTTLE, HYDAC <i>CK, Jib boom load sense circuit</i>	
--	62353	COIL,SOLENOID,HYDAC MANIFOLDS		--	62362	SEAL KIT,VALVE 62359, HYDAC	
--	62354	NUT,SOLENOID VALVE,HYDAC		12	62443	ORIFICE PLUG,.03,PLATF. HYDAC <i>CB, Platform rotate left circuit</i>	
--	62355	O-RING,COIL NUT, HYDAC		13	62443	ORIFICE PLUG,.03,PLATF. HYDAC <i>CC, Platform rotate right circuit</i>	
--	62363	SEAL KIT,SOLENOID VALVES,HYDAC		14	62359	VALVE,SHUTTLE, HYDAC <i>CG, Platform level load sense circuit</i>	
2	62442	VALVE,CHECK,PLAT.MANIFLD,HYDAC <i>CF, Platform rotate circuit</i>		--	62362	SEAL KIT,VALVE 62359, HYDAC	
3	62442	VALVE,CHECK,PLAT.MANIFLD,HYDAC <i>CJ, Platform level circuit</i>		15	62359	VALVE,SHUTTLE, HYDAC <i>CA, Platform rotate load sense circuit</i>	
4	62351	VALVE,SOLENOID,3POS4WAY,HYDAC <i>CL, Jib boom up/down</i>		--	62362	SEAL KIT,VALVE 62359, HYDAC	
--	62353	COIL,SOLENOID,HYDAC MANIFOLDS		16	62354	NUT,SOLENOID VALVE,HYDAC	
--	62354	NUT,SOLENOID VALVE,HYDAC		17	62353	COIL,SOLENOID,HYDAC MANIFOLDS	
--	62355	O-RING,COIL NUT, HYDAC		18	62356	VALVE,DIFFERENTIAL SENSE,N.C. <i>CO, Meters flow to functions</i>	
--	62363	SEAL KIT,SOLENOID VALVES,HYDAC		--	62360	SEAL KIT,VALVE 62356, HYDAC	
5	62442	VALVE,CHECK,PLAT.MANIFLD,HYDAC <i>CN, Jib boom circuit</i>		19	62352	VALVE,SOLENOID,3POS4WAY,HYDAC <i>CD, Platform rotate left/right</i>	
6	62364	ACCUMULATOR,500 PSI,HYDAC <i>CQ, Hydraulic dampening</i>		--	62353	COIL,SOLENOID,HYDAC MANIFOLDS	
7	62357	VALVE,DIFFERENTIAL SENSE,N.O. <i>CM, Jib boom differential sensing circuit</i>		--	62354	NUT,SOLENOID VALVE,HYDAC	
--	62361	SEAL KIT,VALVE 62357, HYDAC		--	62355	O-RING,COIL NUT, HYDAC	
8	62357	VALVE,DIFFERENTIAL SENSE,N.O. <i>CI, Platform level circuit</i>		--	62363	SEAL KIT,SOLENOID VALVES,HYDAC	
--	62361	SEAL KIT,VALVE 62357, HYDAC		20	62353	COIL,SOLENOID,HYDAC MANIFOLDS	
9	62358	VALVE,FLOW CONTROL,3GPM, HYDAC <i>CP, Bleeds off differential sensing valve to tank</i>		21	62354	NUT,SOLENOID VALVE,HYDAC	
10	62357	VALVE,DIFFERENTIAL SENSE,N.O. <i>CE, Platform rotate differential sensing circuit</i>					

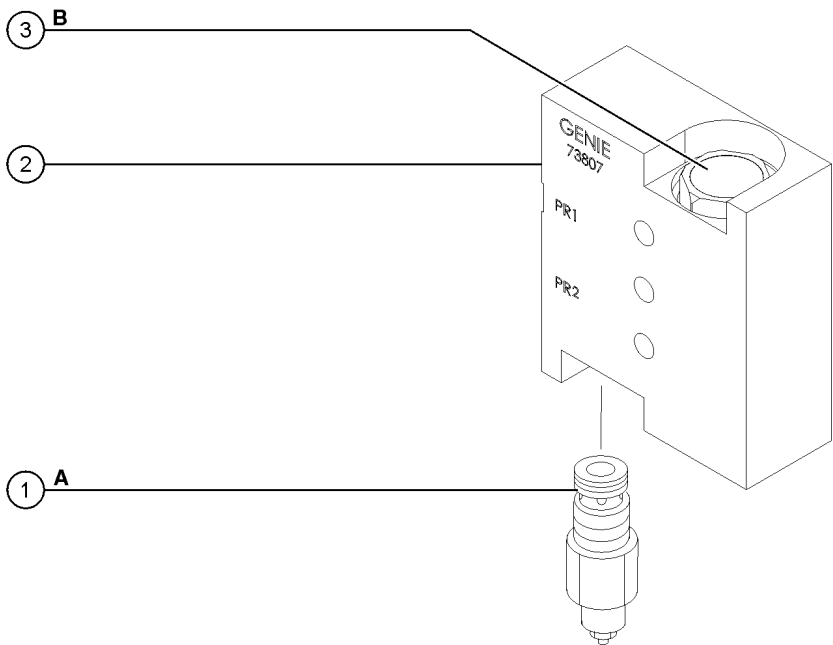
705.2 Platform Manifold, S-125 (from SN S12512D-176)



705.2 Platform Manifold, S-125 (from SN S12512D-176)

Item	Part No.	Description	Qty.	Item	Part No.	Description	Qty.
--	233942	MANIFOLD PLATFORM W/JIB <i>Does not include accumulator part 122964</i>		--	44228	SEAL KIT, VALVE	
1	52907	VALVE-CHECK, #4 SAE, 5 PSI* <i>Platform load sense circuit, platform level</i>		12	229407	PRO.DIR.CTRL,VLV,5WY,3POS <i>LS Directional Proportional, Plform level up and down</i>	
--	62341	SEAL KIT,52907,SIZE 4, 2 WAY		--	229411	VALVE COIL 10V.....2	
2	T107736	DIFFERENTIAL SENS VLV,8,150PSI <i>Directs flow to functions</i>		--	230983	VITON SEAL KIT, VALVE	
--	52371	SEAL KIT, VALVE		--	44174	NUT-COIL SHORT	
3	52907	VALVE-CHECK, #4 SAE, 5 PSI* <i>Platform load sense circuit, jib up and down</i>		13	229407	PRO.DIR.CTRL,VLV,5WY,3POS <i>LS Directional Proportional, Platform rotate left and right</i>	
--	62341	SEAL KIT,52907,SIZE 4, 2 WAY		--	228866	COIL,SOLENOID VALVE.....2	
4	62324	VALVE,FLOW CONTROL, 0.1GPM* <i>Bleeds off differential valve to tank</i>		--	229405	CHECK VALVE DISC.....1	
--	44228	SEAL KIT, VALVE		--	230983	VITON SEAL KIT, VALVE	
5	122964	ACCUMULATOR, 5CU IN 500 CHARGE <i>Hydraulic dampening</i>		--	44174	NUT-COIL SHORT	
6	228866	COIL,SOLENOID VALVE <i>Function enable valve</i>					
--	101934	VALVE,SOLENOID,2 POS 2 WAY					
--	44174	NUT-COIL SHORT					
--	44228	SEAL KIT, VALVE					
7	229407	PRO.DIR.CTRL,VLV,5WY,3POS.....1 <i>LS Directional Proportional, Jib up and down</i>					
--	229411	VALVE COIL 10V.....2					
--	230983	VITON SEAL KIT, VALVE					
--	44174	NUT-COIL SHORT					
8	46216	VALVE,CHECK,IWP-S/CWP PWR ASSI					
--	44227	SEAL KIT, VALVE					
9	110180	VALVE, COMPENSATOR, 80 PSI <i>Jib boom differential sensing circuit</i>					
--	44225	SEAL KIT, VALVE					
10	110180	VALVE, COMPENSATOR, 80 PSI <i>Platform level differential sensing circuit</i>					
--	44225	SEAL KIT, VALVE					
11	229406	REGULATOR,PRESS-COMP 0.30 GPM <i>Platform rotate differential sensing circuit</i>					

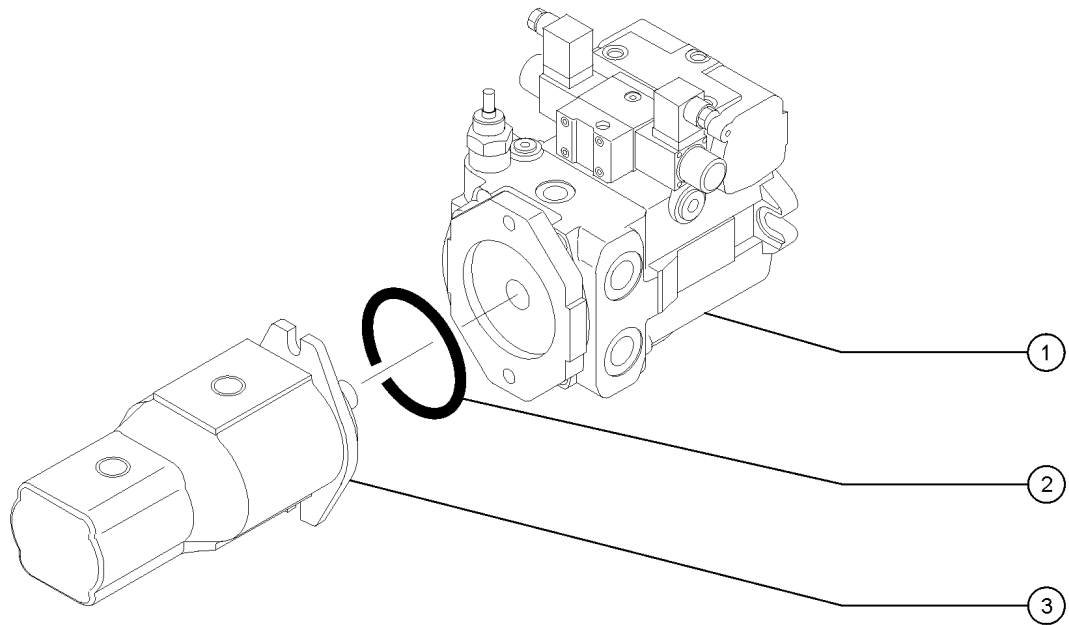
706.1 Platform Rotate Manifold



706.1 Platform Rotate Manifold

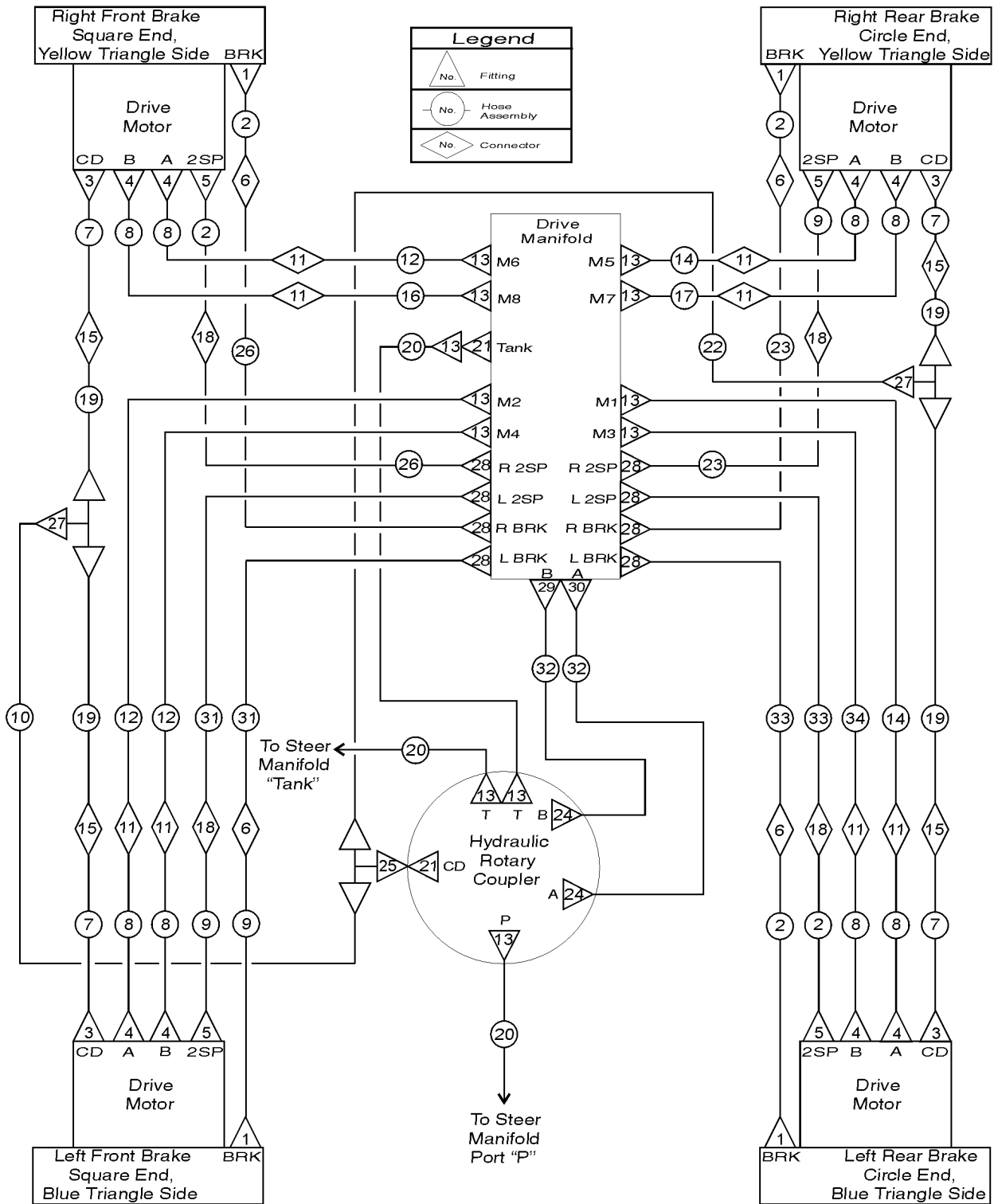
Item	Part No.	Description	Qty.
--	49612	O-RING KIT (ORFS FITTINGS)	
--	49613	PLUG AND CAP KIT-SERVICE,ORFS*	
1	62506	VALVE - COUNTERBALANCE**	
2	73807	MANIFOLD,ROTATOR,CB***	
--	13852	VALVE ASSY,BLEED***	
--	43018	SEAL KIT (39345)	
--	62507	O-RING, ROTATOR MANIFOLD	
--	88516	SCREW,BLEEDER,M5X0.8	
3	62506	VALVE - COUNTERBALANCE**	

707.1 Pumps



Item	Part No.	Description	Qty.
1	101068	PUMP,PISTON,46CC,B MOUNT,13T	
--	29739	SEAL KIT,SAUER-DANFOSS M46***	
--	77819	EDC ASSY,SAUER M46	
2	52087	O-RING,2-044 BUNA***	
3	122495	PUMP,2 SEC,29CC X 19CC,FE.....1	
--	122494	KIT,SEALS & WEAR PLATE, PUMP	

708.1 Hydraulic Hoses and Fittings - Drive System

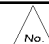
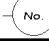


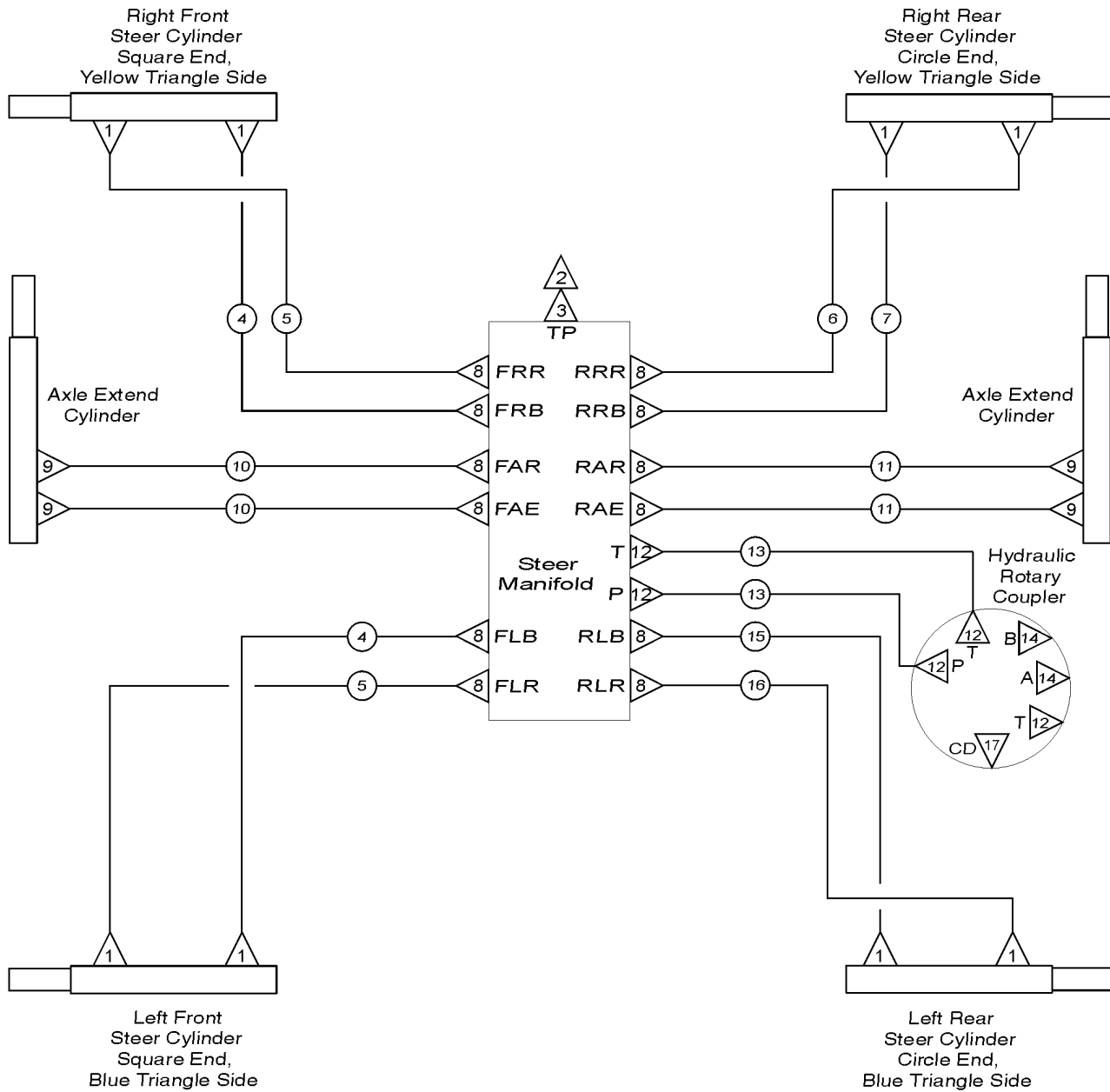
708.1 Hydraulic Hoses and Fittings - Drive System

Item	Part No.	Description	Qty.	Item	Part No.	Description	Qty.
--	49612	O-RING KIT (ORFS FITTINGS)		19	49183-5792	HOSE ASSY,1/2,STR FEM,STR FEM.....4	4
--	49613	PLUG AND CAP KIT-SERVICE,ORFS*				<i>components: 48822, 48822 and 48756 @ 56 inches</i>	
1	48912	CONN,520120-4-6***	4	20	49141-2963-S	HOSE ASSY,1/2,45 FEM,STR FEM.....3	3
2	49116-5337-S	HOSE ASSY,1/4,45 FEM,STR FEM.....6	6			<i>components: 48822, 48826 and 48756 @ 54 inches</i>	
3	48933	CONN,520120-8***		21	75613	CONN,090136-12-8.....2	2
4	48948	CONN,520120-8-12.....8	8	22	49183-3292	HOSE ASSY,1/2,STR FEM,STR FEM.....1	1
5	48904	ELBOW,90D,520220-4-4.....4	4			<i>components: 48822, 48822 and 48756 @ 31 inches</i>	
6	61268	CONN,BULKHEAD,520801,-4.....4	4	23	49117-5835	HOSE ASSY,1/4,90 FEM,STR FEM.....2	2
7	49141-5663	HOSE ASSY,1/2 STR FEM,45 DEG.....4	4			<i>components: 48800, 48802 and 48751 @ 56 inches</i>	
8	61143-5463-S	HOSE ASSY 1/2" 45 FEM,STR FEM.....8	8	24	48963	FITTING,ELBOW,45D,520320-12***.2	2
		<i>components: 48822, 48826 and 56777 @ 52 inches</i>		25	48936	TEE,BRANCH,520429-8.....1	1
9	49116-6037-S	HOSE ASSY,1/4,45 FEM,STR FEM.....2	2	26	49116-11537-S	HOSE ASSY,1/4,45 FEM,STR FEM.....2	2
		<i>components: 48800, 48801 and 48751 @ 58 inches</i>				<i>components: 48800, 48801 and 48751 @ 113 inches</i>	
10	49183-4092	HOSE ASSY,1/2,STR FEM,STR FEM.....1	1	27	75612	TEE,BULKHEAD,52N9959-8.....2	2
		<i>components: 48822, 48822 and 48756 @ 39 inches</i>		28	48905	CONN,520120-4***	8
11	48894	CONN,BULKHEAD,520601-8.....8	8	29	61610	CONN,LONG,520122-12***	1
12	61143-11263	HOSE ASSY,1/2,45 FEM STR FEM.....3	3	30	48960	FITTING,CONN,520120-12.....1	1
		<i>components: 48822, 48826 and 56777 @ 110 inches</i>		31	49116-10937-S	HOSE ASSY,1/4,45 FEM,STR FEM	
13	48933	CONN,520120-8***	12			<i>components: 48800, 48801 and 48751 @ 107 inches</i>	
14	75278-5529-S	HOSE ASSY,1/2,90 FEM,STR FEM.....2	2	32	94374-3130	HOSE ASSY,3/4,90 FEM,STR FEM.....2	2
		<i>components: 48822, 48827 and 56777 @ 53 inches</i>				<i>components: 48841, 48846 and 94358 @ 28 inches</i>	
15	61346	CONN,BULKHEAD,520801,-8.....4	4	33	49117-5935	HOSE ASSY,1/4,90 FEM,STR FEM	
16	61143-11563-S	HOSE ASSY,1/2,45 FEM STR FEM.....1	1			<i>components: 48800, 48802 and 48751 @ 57 inches</i>	
		<i>components: 48822, 48826 and 56777 @ 113 inches</i>		34	75278-6029	HOSE ASSY,1/2,90 FEM,STR FEM	
17	75278-5729	HOSE ASSY,1/2,90 FEM,STR FEM				<i>components: 48822, 48827 and 56777 @ 58 inches</i>	
		<i>components: 48822, 48827 and 56777 @ 55 inches</i>					
18	61269	UNION,BULKHEAD,ORFS,520601,-4.4					



709.1 Hydraulic Hoses and Fittings - Steer System

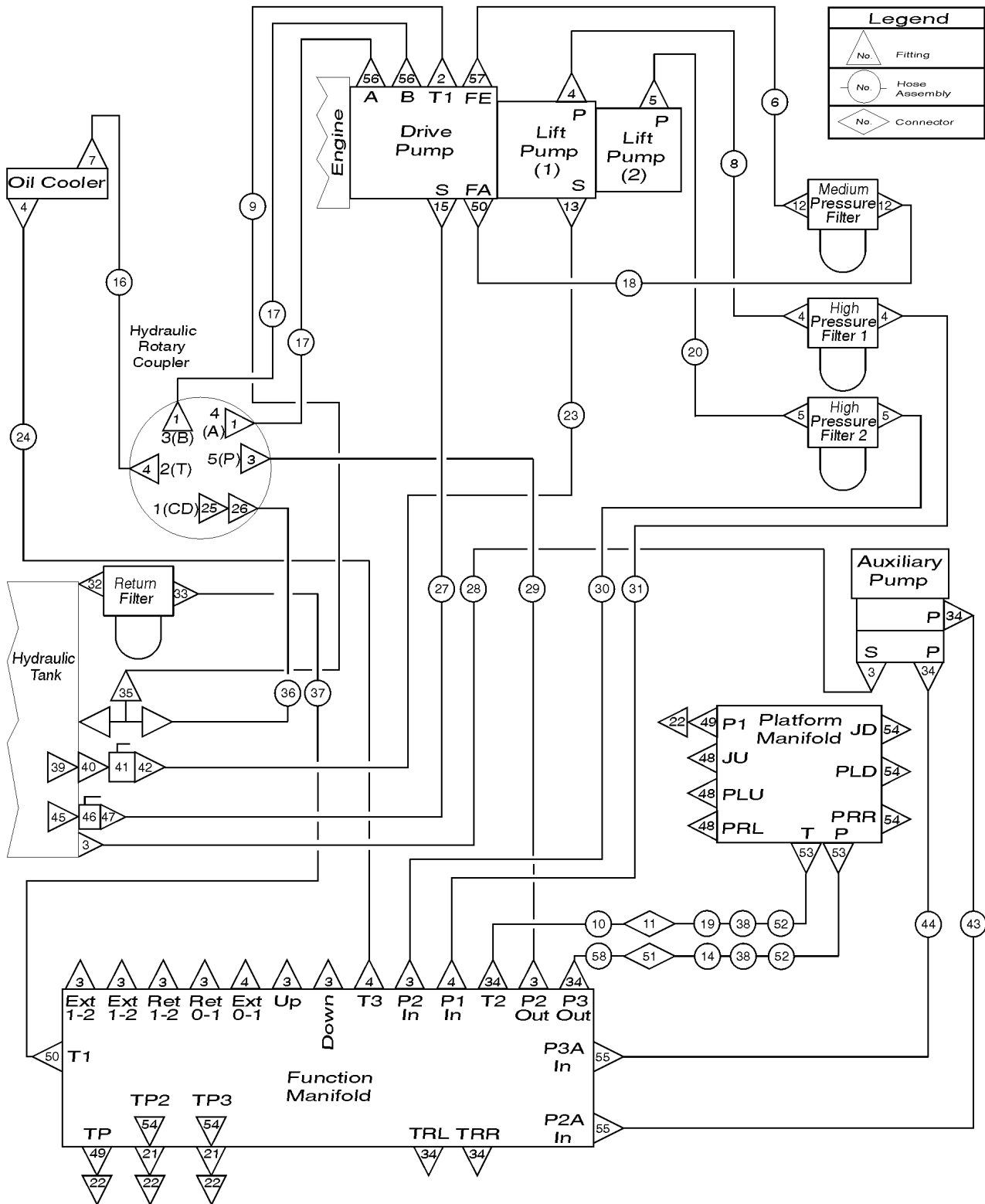
Legend	
	Fitting
	Hose Assembly



709.1 Hydraulic Hoses and Fittings - Steer System

Item	Part No.	Description	Qty.	Item	Part No.	Description	Qty.
--	49612	O-RING KIT (ORFS FITTINGS)		16	49116-11537-S	HOSE ASSY,1/4,45 FEM,STR	
--	49613	PLUG AND CAP KIT-SERVICE,ORFS*				FEM.....1	
1	48911	ELBOW,90D,520220-4-6***	8			<i>components: 48800, 48801 and 48751</i>	
2	48880	CAP,DIAGNOSTIC NIPPLE	1	17	75613	CONN,090136-12-8	1
3	48997	NIPPLE,DIAGNOSTIC,#4 PORT**	1				
--	20224	DIAGNOSTIC FEMALE Q-DSCNT					
--	75098	HARNES,PRESSURE TRANSDUCER					
4	49117-5035-S	HOSE ASSY,1/4,90 FEM,STR FEM.....2					
		<i>components: 48800, 48802 and 48751</i>					
		@ 48 inches					
5	49117-6435	HOSE ASSY,1/4,90 FEM,STR FEM.....2					
		<i>components: 48800, 48802 and 48751</i>					
		@ 62 inches					
6	49116-12237	HOSE ASSY,1/4,45 FEM,STR FEM.....1					
		<i>components: 48800, 48801 and 48751</i>					
		@ 120 inches					
7	49116-10937-S	HOSE ASSY,1/4,45 FEM,STR FEM.....1					
		<i>components: 48800, 48801 and 48751</i>					
		@ 107 inches					
8	48912	CONN,520120-4-6***	12				
9	48905	CONN,520120-4***	4				
10	49117-5835	HOSE ASSY,1/4,90 FEM,STR FEM.....2					
		<i>components: 48800, 48802 and 48751</i>					
		@ 56 inches					
11	49119-10678	HOSE ASSY,1/4,STR FEM,STR FEM.....2					
		<i>components: 48800, 48800 and 48751</i>					
		@ 105 inches					
12	48933	CONN,520120-8***	5				
13	49141-2963-S	HOSE ASSY,1/2,45 FEM,STR FEM.....2					
		<i>components: 48822, 48826 and 48756</i>					
		@ 27 inches					
14	48963	FITTING,ELBOW,45D,520320-12***	2				
15	49116-10337	HOSE ASSY,1/4,45 FEM,STR FEM.....1					
		<i>components: 48800, 48801 and 48751</i>					
		@ 101 inches					

710.1 Hydraulic Hoses and Fittings - Turntable Components



710.1 Hydraulic Hoses and Fittings - Turntable Components

Item	Part No.	Description	Qty.	Item	Part No.	Description	Qty.
--	49612	O-RING KIT (ORFS FITTINGS)		21	49207	NIPPLE,DIAGNOSTIC,ORFS,FM,SWIV.3	
--	49613	PLUG AND CAP KIT-SERVICE,ORFS*		--	20224	DIAGNOSTIC FEMALE Q-DSCNT	
1	48963	FITTING,ELBOW,45D,520320-12***.2		--	75098	HARNES,PRESSURE TRANSDUCER	
2	48947	ELBOW,90D,520220-8-12		22	48880	CAP,DIAGNOSTIC NIPPLE.....3	
3	48933	CONN,520120-8***11		23	75288-5538-S	HOSE ASSY 1 1/2",90 FL FEMSTR*1 <i>components: 61130, 61336 and 61328 @ 50 inches</i>	
4	48960	FITTING,CONN,520120-12.....8		24	61073-5430	HOSE ASSY.,3/4",90°FEM,STR FEM <i>components: 48841, 48846 and 48762 @ 51 inches</i>	
5	48948	CONN,520120-8-12.....3		25	75613	CONN,090136-12-8.....1	
6	49143-1929	HOSE ASSY,1/2,90 FEM,STR FEM <i>components: 48822, 48827 and 48756 @ 17 inches</i>		26	48937	ELBOW,45D,520320-8.....1	
7	48959	FITTING,ELBOW,90D,520220-12....1		27	49159-6118-S	HOSE ASSY,1" HOSE #92.....1 <i>components: 48854, 48855 and 48764 @ 57 inches</i>	
8	61073-3230	HOSE ASSY,3/4,90 FEM,STR FEM** <i>components: 48841, 48846 and 48762 @ 29 inches</i>		28	49143-3829-S	HOSE ASSY,1/2" HOSE #83.....1 <i>components: 48822, 48827 and 48756 @ 36 inches</i>	
9	49143-8429	HOSE ASSY,1/2,90 FEM,STR FEMEM.....1 <i>components: 48822, 48827 and 48756 @ 82 inches</i>		29	49141-4263-S	HOSE ASSY,1/2" HOSE #90.....1 <i>components: 48822, 48826 and 48756 @ 40 inches</i>	
10	49128-51809	HOSE ASSY,3/8" 90 FEM,STR FEM.....1 <i>components: 48812, 48816 and 48753 @ 516 inches</i>		30	49143-6329-S	HOSE ASSY,1/2" HOSE #77.....1 <i>components: 48822, 48827 and 48756 @ 61 inches</i>	
11	61080	FITTING,6-6BLKHEADUNION 520601.....1		31	61073-6230-S	HOSE ASSEMBLY 3/4 HOSE #75...1 <i>components: 48841, 48846 and 48762 @ 59 inches</i>	
12	48932	FITTING,ELBOW,90D,520220-8*** ..2		32	61263	UNION,STR.THREAD 20.....1	
13	61352	KIT,FLANGE CODE 61 -20.....1		33	75654	CONN,520120-20.....1	
14	49130-76382	HOSE ASSEMBLY, 3/8.....1 <i>components: 48812, 48812 and 48753 @ 762 inches</i>		34	48916	FITTING,CONN,520120-6.....6	
15	48984	CONN,520120-16.....2		35	48935	TEE,RUN,520428-8.....1	
16	61072-8326	HOSE ASSY,3/4,45 FEM,STR FEM <i>components: 48841, 48845 and 48762 @ 80 inches</i>		36	49143-7029-S	HOSE ASSY,1/2,90 FEM,STR FEM <i>components: 48822, 48827 and 48756 @ 68 inches</i>	
17	94374-5530	HOSE ASSY,3/4,90 FEM,STR FEM** <i>components: 48841, 48846 and 94358 @ 52 inches</i>		37	75657-2515-S	HOSE ASSY,1-1/4" HOSE #81.....1 <i>components: 75655, 75655 and 75656 @ 18.75 inches</i>	
18	49143-2779-S	HOSE ASSY,1/2,90 FEM,STR FEM.....1 <i>components: 48822, 48827 and 48756 @ 25 inches</i>		38	111436	HYRAULIC TUBE,BOOM CROSSOVER.....2	
19	49130-72982	HOSE ASSEMBLY, 3/8.....1 <i>components: 48812, 48812 and 48753 @ 728 inches</i>		--	111437	HYDRAULIC TWIN CLAMP	
20	49143-3529	HOSE ASSY,1/2,90 FEM,STR FEM** <i>components: 48822, 48827 and 48756 @ 33 inches</i>		39	75257	STRAINER ASSY,#24 O-RING.....1	
				40	75254	UNION,STR.THREAD 24***.....1	
				41	75256	VALVE BALL,24 FSAE-24 FSAE***1	



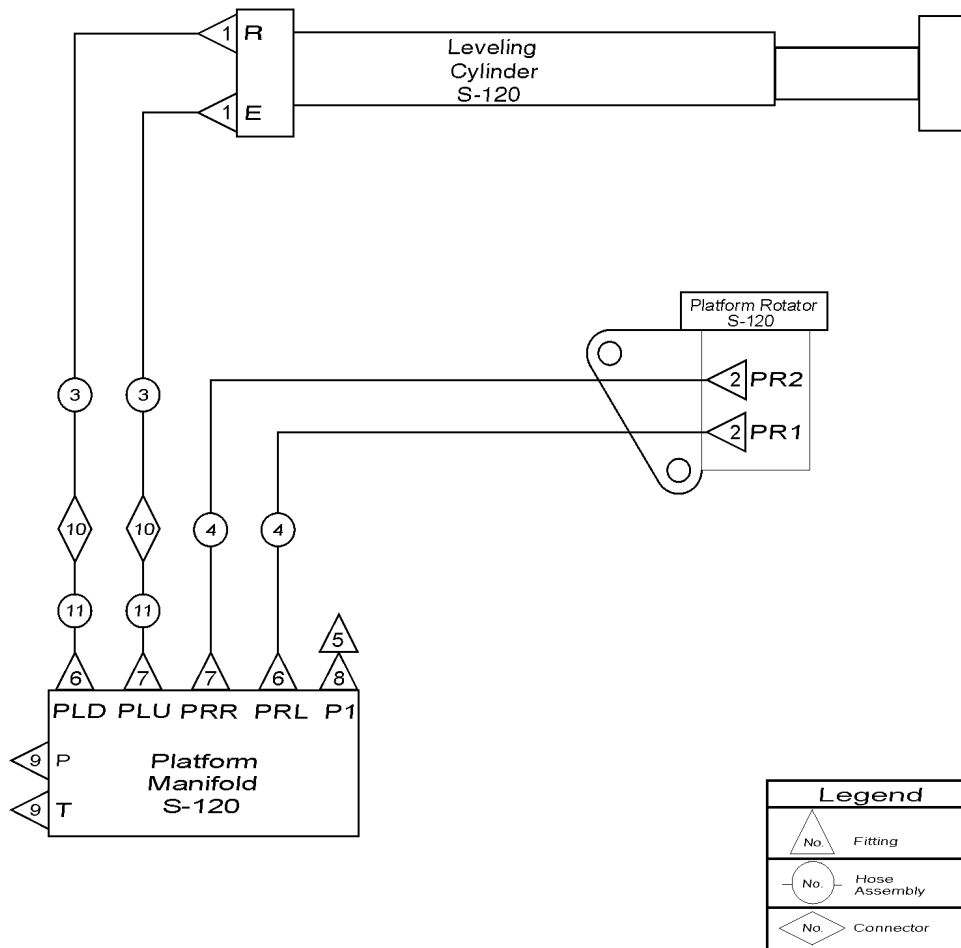
710.1 Hydraulic Hoses and Fittings - Turntable Components (continued)

Item	Part No.	Description	Qty.
42	61083	CONN,520120-24.....	1
43	49126-1783	HOSE ASSY,3/8,45 FEM,STR FEM <i>components: 48812, 48815 and 48753</i> <i>@ 15.5 inches</i>	
44	49128-1650	HOSE ASSEMBLY-3/8" <i>components: 48812, 48816 and 48753</i> <i>@ 14.31 inches</i>	
45	75253	STRAINER ASSY,#16 O-RING.....	1
46	48996	VALVE,BALL,16 MSAE-16 FSAE***	1
47	48985	ELBOW,45D,520320-16.....	1
48	61259	ELBOW,90D,LONG,521520-4.....	3
49	48997	NIPPLE,DIAGNOSTIC,#4 PORT***	2
--	20224	DIAGNOSTIC FEMALE Q-DSCNT	
--	75098	HARNES,PRESSURE TRANSDUCER	
50	48946	CONN,520120-8-10	
51	61321	ELBOW,90D,BLKHD,ORFS-6-6 W/NUT.....	2
52	49130-55382	HOSE ASSY, 3/8..... <i>(S-125); components: 48812, 48812</i> <i>and 48753 @ 552 inches</i>	2
--	49130-49382	HOSE ASSEMBLY, 3/8..... <i>(S-120); components: 48812, 48812</i> <i>and 48753 @ 492 inches</i>	2
53	48915	ELBOW,90D,520220-6.....	2
54	48904	ELBOW,90D,520220-4-4.....	5
55	48920	ELBOW,45D,520320-6.....	2
56	48978	ELBOW,45D,520320-12-16	
57	48946	CONN,520120-8-10	
58	49130-51982	HOSE ASSY 3/8,STR FEM,STR FEM..... <i>components: 48812, 48812 and 48753</i> <i>@ 518 inches</i>	1

710.1 Hydraulic Hoses and Fittings - Turntable Components
(continued)

This Page Intentionally Left Blank

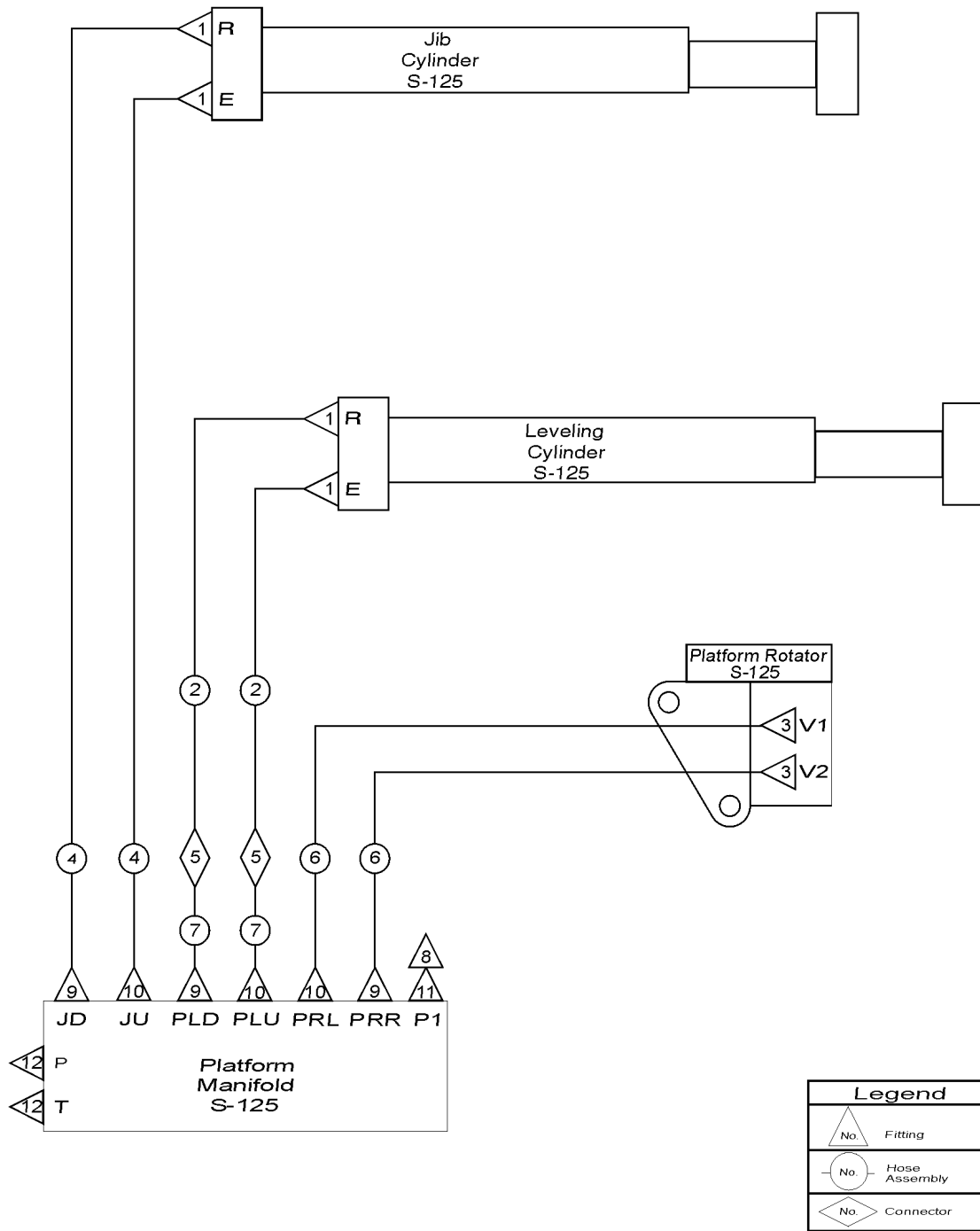
711.1 Hydraulic Hoses and Fittings - Platform Leveling and Rotation, S-120



711.1 Hydraulic Hoses and Fittings - Platform Leveling and Rotation, S-120

Item	Part No.	Description	Qty.
1	48912	CONN,520120-4-6***.....	2
2	48907	ELBOW,45D,520320-4.....	2
3	49117-3191	HOSE ASSY,1/4,90 FEM,STR FEM	
4	49119-3848	HOSE ASSY,1/4,STR FEM,STR FEM.....	2
5	48880	CAP,DIAGNOSTIC NIPPLE.....	1
6	48904	ELBOW,90D,520220-4-4.....	2
7	61259	ELBOW,90D,LONG,521520-4.....	2
8	48997	NIPPLE,DIAGNOSTIC,#4 PORT***.....	1
--	20224	DIAGNOSTIC FEMALE Q-DSCNT	
--	75098	HARNES,PRESSURE TRANSDUCER	
9	48915	ELBOW,90D,520220-6.....	2
10	61079	ELBOW,90D,BULKHEAD,520701-4.2	
11	49117-5591	HOSE ASSY,1/4,90 FEM,STR FEM**.....	2

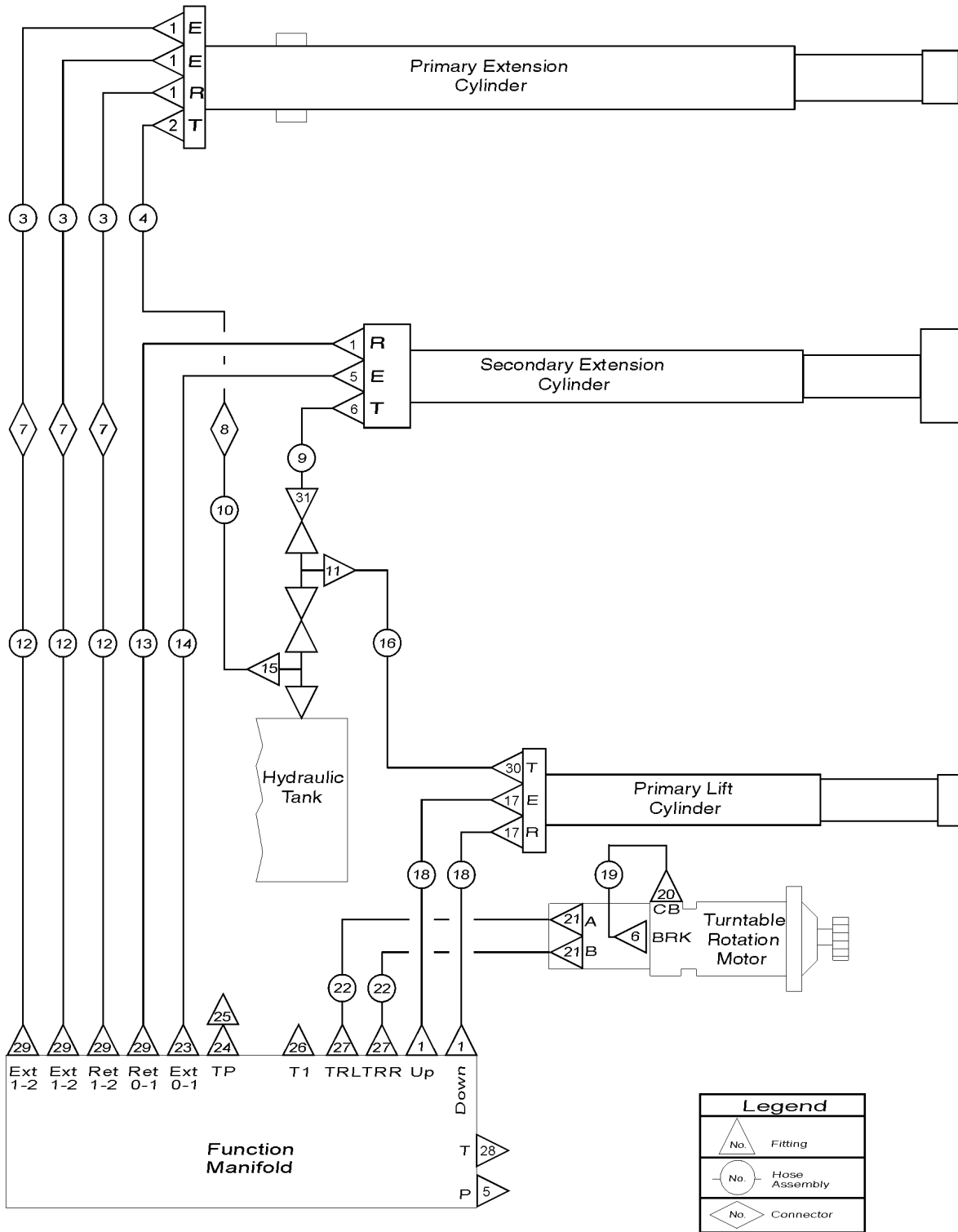
712.1 Hydraulic Hoses and Fittings - Platform Leveling and Rotation, S-125



712.1 Hydraulic Hoses and Fittings - Platform Leveling and Rotation, S-125

Item	Part No.	Description	Qty.
1	48912	CONN,520120-4-6***.....	4
2	49117-2091-S	HOSE ASSY,1/4,90 FEM,STR FEM..... <i>components: 48800, 48802 and 48751 @ 19 inches</i>	2
3	48907	ELBOW,45D,520320-4.....	5
4	49119-5648	HOSE ASSY,1/4,STR FEM,STR FEM..... <i>components: 48800, 48800 and 48751 @ 55 inches</i>	2
5	61079	ELBOW,90D,BULKHEAD,520701-4.2	
6	49119-3848	HOSE ASSY,1/4,STR FEM,STR FEM..... <i>components: 48800, 48800 and 48751 @ 37 inches</i>	2
7	49117-12791-S	HOSE ASSY,1/4" (#111/112,S125)... <i>components: 48800, 48802 and 48751 @ 126 inches</i>	2
8	48880	CAP,DIAGNOSTIC NIPPLE.....	1
9	48904	ELBOW,90D,520220-4-4.....	3
10	61259	ELBOW,90D,LONG,521520-4.....	3
11	48997	NIPPLE,DIAGNOSTIC,#4 PORT***.....	1
--	20224	DIAGNOSTIC FEMALE Q-DSCNT	
--	75098	HARNES,PRESSURE TRANSDUCER	
12	48915	ELBOW,90D,520220-6.....	2

713.1 Hydraulic Hoses and Fittings - Boom Components

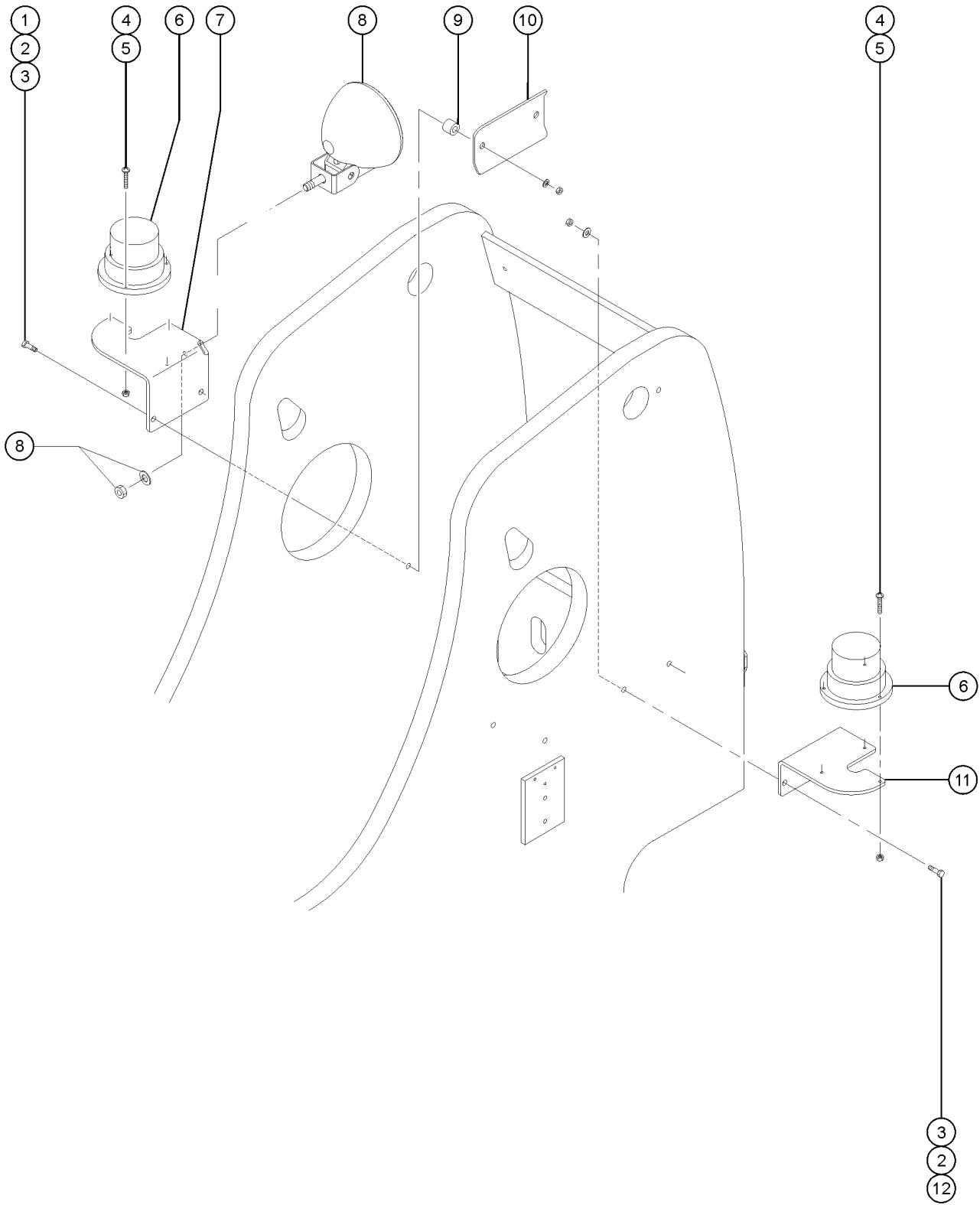


Legend	
	Fitting
	Hose Assembly
	Connector

713.1 Hydraulic Hoses and Fittings - Boom Components

Item	Part No.	Description	Qty.	Item	Part No.	Description	Qty.
--	49612	O-RING KIT (ORFS FITTINGS)		20	48904	ELBOW,90D,520220-4-4.....	1
--	49613	PLUG AND CAP KIT-SERVICE,ORFS*		21	48931	CONN,520120-6-10.....	2
1	48933	CONN,520120-8***	6	22	49128-3109-S	HOSE ASSEMBLY,3/8 <i>components: 48812, 48816 and 48751 @ 29 inches</i>	
2	48907	ELBOW,45D,520320-4.....	1	23	48960	FITTING,CONN,520120-12	
3	49143-42290	HOSE ASSY,1/2,90 FEM,STR FEMM..... <i>components: 48822, 48827 and 48756 @ 420 inches</i>	3	24	48997	NIPPLE,DIAGNOSTIC,#4 PORT***	1
4	49116-42237-S	HOSE ASSY,1/4,45 FEM,STR FEM..... <i>components: 48800, 48801 and 48751 @ 420 inches</i>	1	--	20224	DIAGNOSTIC FEMALE Q-DSCNT	
5	48960	FITTING,CONN,520120-12.....	2	--	75098	HARNES,PRESSURE TRANSDUCER	
6	48905	CONN,520120-4***	2	25	48880	CAP,DIAGNOSTIC NIPPLE.....	1
7	48894	CONN,BULKHEAD,520601-8.....	3	26	61260	REDUCER,520123-20-12.....	1
8	61269	UNION,BULKHEAD,ORFS,520601,-4.1		27	48916	FITTING,CONN,520120-6.....	2
9	49118-23308	HOSE ASSEMBLY <i>components: 48800, 48811 and 48751 @ 231 inches</i>		28	48983	ELBOW,90D,520220-16.....	1
10	49120-48181-S	HOSE ASSEMBLY,1/4"..... <i>components: 48800, 48810 and 48751 @ 480 inches</i>	1	29	48933	CONN,520120-8***	
11	48875	TEE,RUN,SWIVEL,520432-6.....	1	30	48907	ELBOW,45D,520320-4	
12	49183-46592	HOSE ASSY,1/2,STR FEM,STR FEM <i>components: 48822, 48822 and 48756 @ 464 inches</i>		31	48892	ELBOW,SWIVEL 90D, 520221-6.....	1
13	49183-20752	HOSE ASSY,1/2,STR FEM,STR FEM..... <i>components: 48822, 48822 and 48756 @ 205 inches</i>	1				
14	61074-20748-S	HOSE ASSEMBLY,3/4"..... <i>components: 48841, 48841 and 48762 @ 205.20 inches</i>	1				
15	48918	TEE,RUN,520428-6.....	1				
16	49118-9708-S	HOSE ASSEMBLY,1/4" (#106)..... <i>components: 48800, 48811 and 48751 @ 95 inches</i>	1				
17	48937	ELBOW,45D,520320-8.....	2				
18	49183-10692-S	HOSE ASSY,1/2,STR FEM,STR FEM..... <i>components: 48822, 48822 and 48756 @ 105 inches</i>	2				
19	49117-1391-S	HOSE ASSEMBLY-1/4" (#89)..... <i>components: 48800, 48822 and 48751 @ 12 inches</i>	1				

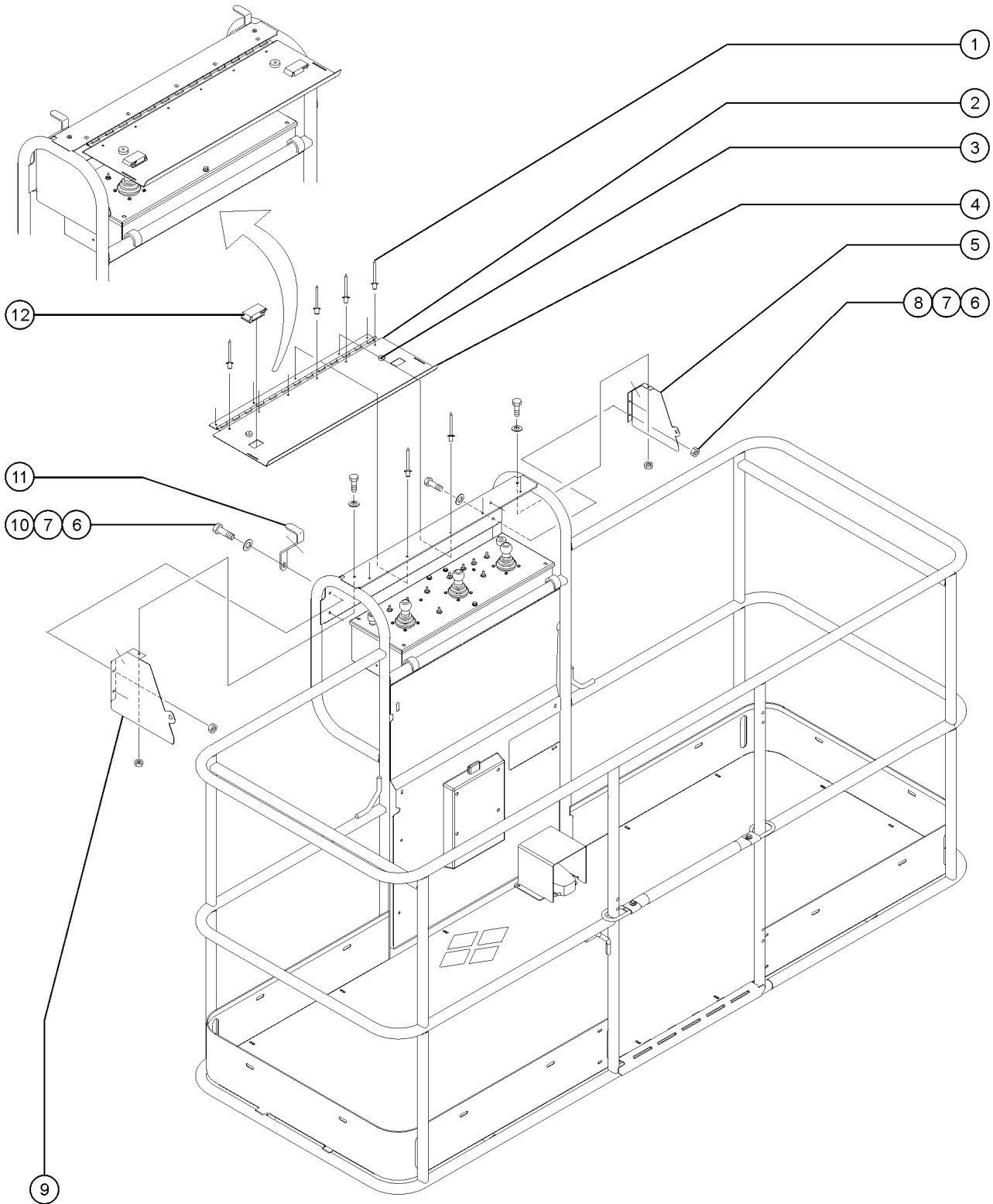
801.1 Alarm and Beacon Package, Driving Lights



801.1 Alarm and Beacon Package, Driving Lights

Item	Part No.	Description	Qty.
--	75641	HARNES,FLASH BEACON SUB ASSY	
--	73121-S	OPTION,DRIVING LIGHTS,SB	
--	122323	ALARM PKG,S100/120	
1	6605	SCREW,HHC,3/8-16 X 3.5,GR5	
2	5397	WASHER,FLAT,USS,5/16",Y	
3	4828	NUT,NYLOCK,3/8-16	
4	49824	SCREW,PHILLIPS,FHM,10-32X1.00	
5	6178	NUT,NYLOCK,10-32	
6	56704	STROBE,FIREBOLT,12-80VDC,AMB**.2 <i>(replaced 20189)</i>	
--	122019	FLASHTUBE,U SHAPED,360DEG,BULB	
--	226393	FLASHTUBE,STRAIGHT,360DEG,BULB	
--	72282	LENS,AMBER,STROBE,FIREBOLT	
7	60819P	BRACKET,STROBE.....2	
--	60838	CLAMP,1.00,#16 X 7/16,RUB CUSH	
--	75249-P	BRACKET,BEACON,DRIVE LIGHTS,RH <i>shown</i>	
8	35958	HOUSING,WORKLIGHT***.....2	
8A	35960	BULB,WORKLIGHT,12V 35W	
8B	8255	SCREW,HHC,3/8-16 X .75	
8C	6097	WASHER,FLAT,USS,3/8",Y	
8D	7713	NUT,LP NYLOCK,3/8-16	
9	122951	TUBE,RD,ALUMINUM,1.00X.50X.820	
10	122949	FORMING,CLAMP,SIDE PLATE HOSE	
11	60819P	BRACKET,STROBE.....2 <i>shown</i>	
--	60838	CLAMP,1.00,#16 X 7/16,RUB CUSH	
--	75250-P	Bracket, Tank side	
12	8178	SCREW,HHC,3/8-16 X 2.5	

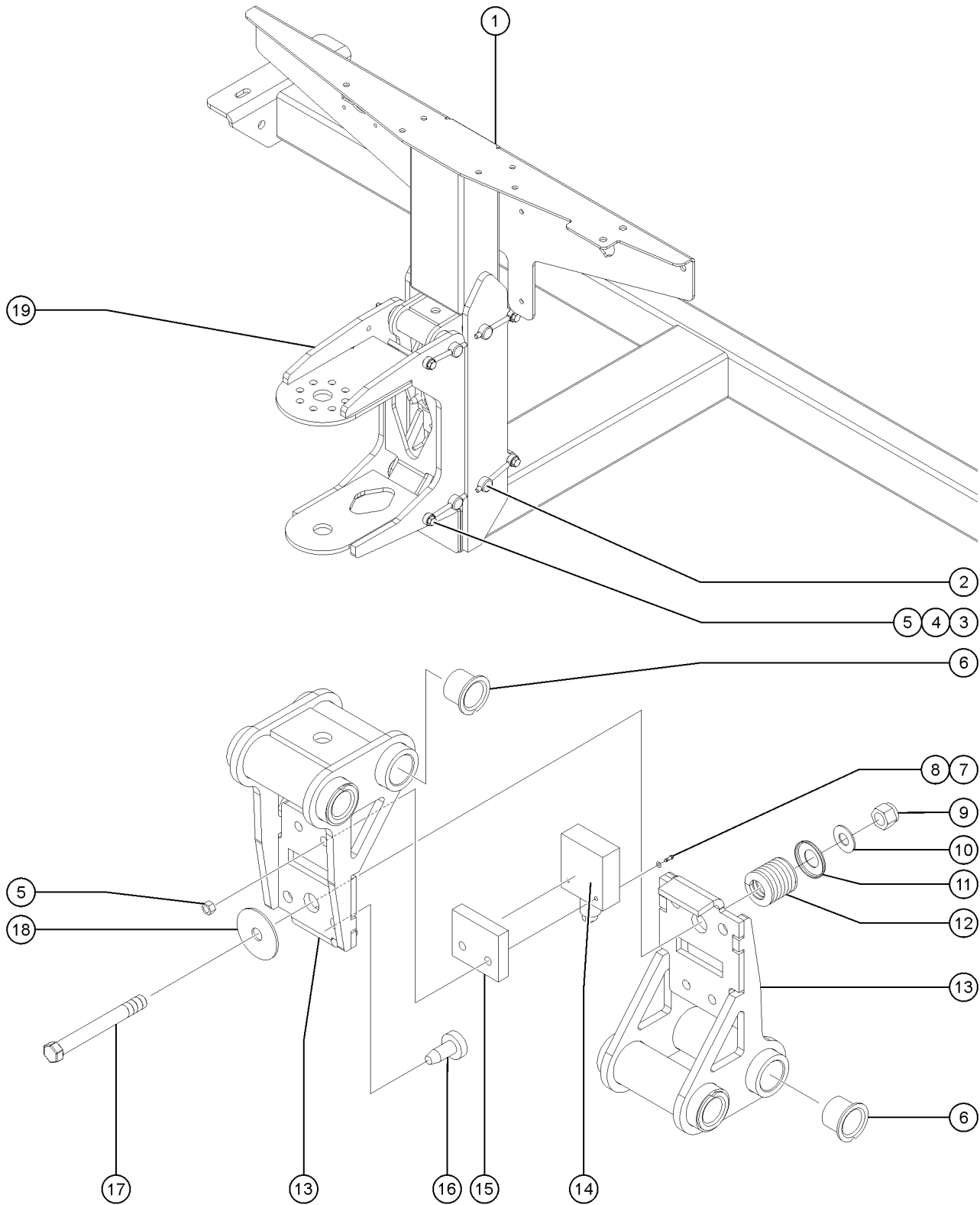
802.1 Platform Controls Cover



802.1 Platform Controls Cover

Item	Part No.	Description	Qty.
--	102854	OPTION,PLATFORM CONTROL COVER	
1	54486	RIVET,ALUM,ALUM,3/16BUTONHEAD.11	
2	111526	HINGE,PLAT CONTROL BOX COVER.....1	1
3	43392	BUMPER,BATTERY BOX & RAILS.....2	2
4	102785P	CONTROL BOX COVER,LID,PTD	
--	102676	LID ASSY,CONTROL BOX COVER PLT	
5	88606P	COVER,CONTROL BOX RIGHT SIDE**1	1
6	6889	NUT,LP NYLOCK,1/4-20	
7	6638	WASHER,FLAT,USS,1/4"Y	
8	7339	SCREW,HHC,1/4-20 X .5	
9	88607P	COVER,CONTROL BOX LEFT SIDE***1	1
10	6888	SCREW,HHC,1/4-20 X 1	
11	102786P	FORMING,LATCH,CTRL BOX LID PTD.....2	2
12	30468	LATCH,SLIDE, FLUSH MOUNT STYLE.....2	2

803.1 Platform Overload

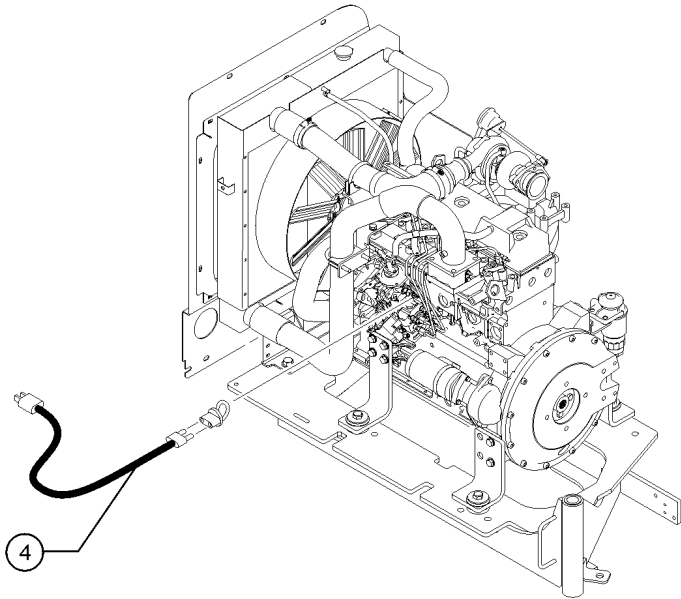


803.1 Platform Overload

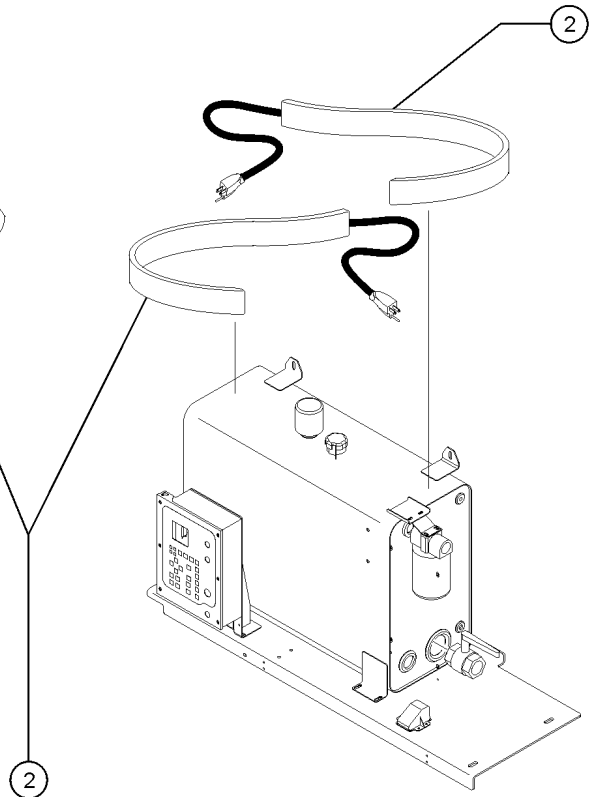
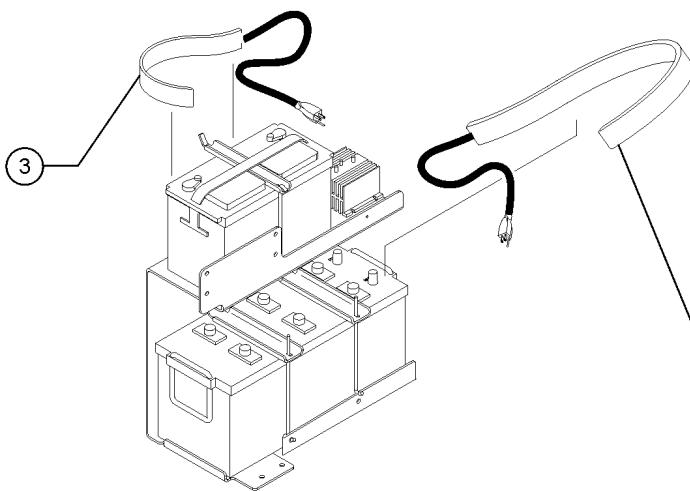
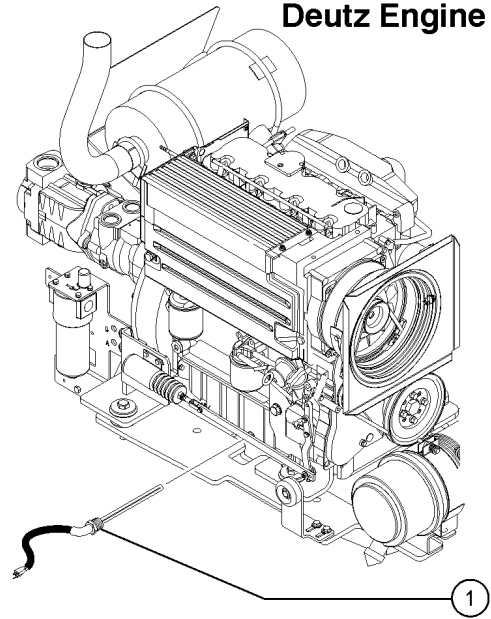
Item	Part No.	Description	Qty.
1	61997	WELDMENT,PLATFORM SUPPORT,CE.....1 <i>CE models</i>	1
2	61726	PIN,0.75DIA X 5.75LG,CHAMFER.....4	4
--	94643	ZERK,GREASE,5/16-24,STRAIT	
3	6888	SCREW,HHC,1/4-20 X 1	
4	45748	ROD END,.250 X 2.75 LG.....4	4
5	6091	NUT,NYLOCK,1/4-20	
6	25685	BEARING,GARLOCK,12FDU12.....4	4
7	49817	SCREW,PHILLIPS,PHM,10-32 X 1.25 (S-125)	
7	51063	SCREW,PHILLIPS,RHM,10-32 X 1.5 (S-120)	
8	6146	WASHER,FLAT,MS,#10,Y	
9	4828	NUT,NYLOCK,3/8-16	
10	6097	WASHER,FLAT,USS,3/8",Y	
11	61975	RETAINER,SPRING,1.21 X .375.....1 (S-125)	1
11	61977	RETAINER,SPRING,1.46 X .375.....1 (S-120)	1
12	61974	SPRING,COMP,1" OD,232 LB/IN.....1 (S-125)	1
12	61976	SPRING,COMP,1-1/4"OD 352 LB/IN.....1 (S-120)	1
13	89755	LOAD SUPPORT W/BEARINGS.....2 <i>includes item 6</i>	2
--	110789	WASHER,SHIM .0151 THK.	
14	146399	ASSY, LS, LOAD SENSE, ALC1000	
15	61972	MOUNT,SWITCH.....1	1
16	34619	BUMPER,RUBBER***2	2
17	21604	SCREW,HHC,3/8-16 X 3.25	
18	80605	WASHER,FLAT,3/8X1.5X.06	
19	101845	ROTATOR MOUNT KIT.....1 <i>includes item 6</i>	1
--	110789	WASHER,SHIM .0151 THK.	

804.1 Cold Start Package

Cummins Engine



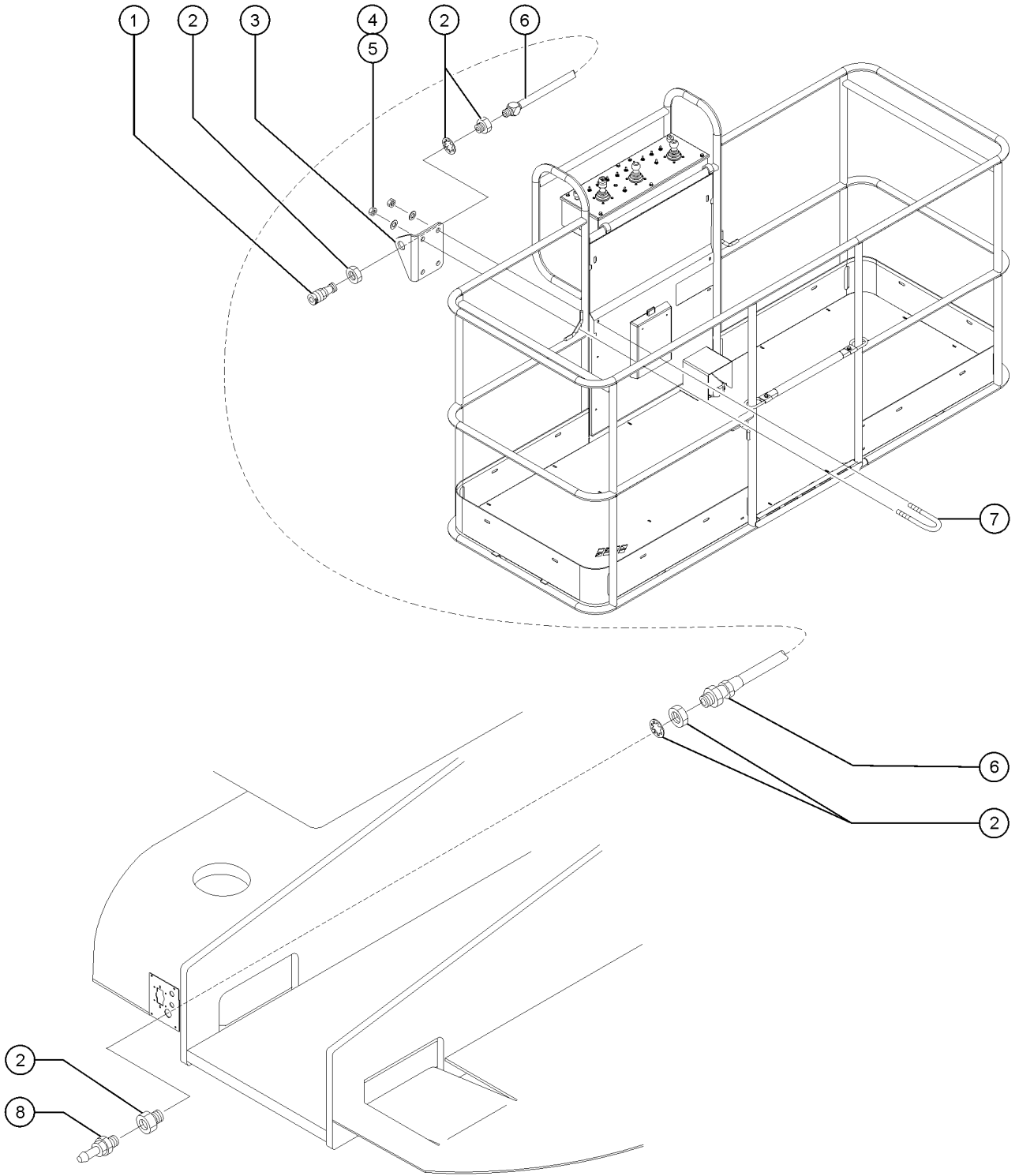
Deutz Engine



804.1 Cold Start Package

Item	Part No.	Description	Qty.
--	128373	COLD START PKG, 110V, DEUTZ <i>Deutz models</i>	
--	122771	COLD START PKG,110V,CUM.B3.3T <i>Cummins models</i>	
1	128274	OIL PAN HEATER,DEUTZ,120V,150W.....1	
2	61245	BLANKET,BATTERY.....3	
--	75048	CABLE TIE,BLACK,36"	
3	28853	BLANKET,BATTERY.....2	
4	122768	FREEZE PLUG HEATER	

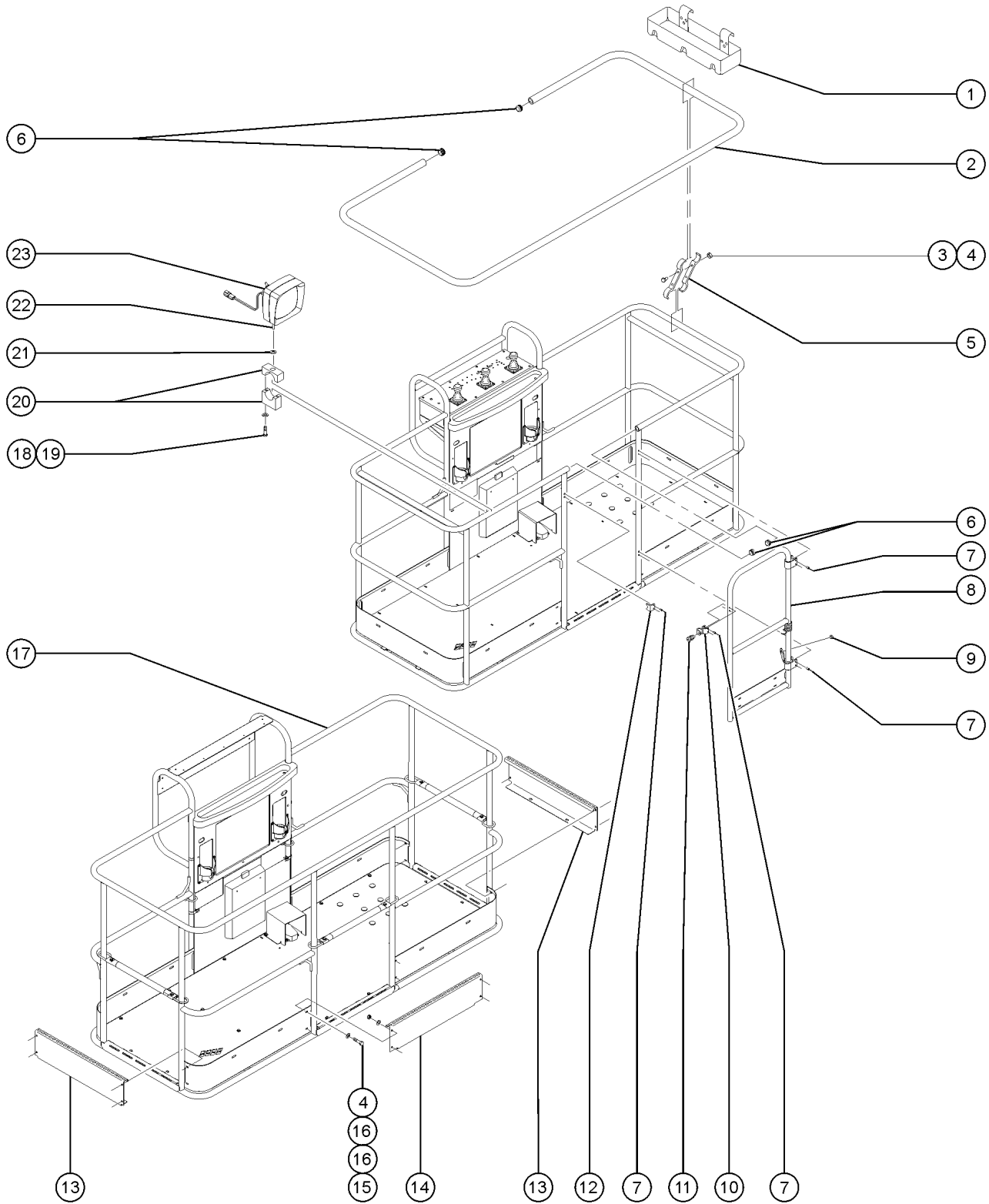
805.1 Air Line To Platform



805.1 Air Line To Platform

Item	Part No.	Description	Qty.
1	49215	MPT,CPLR,1/4"SER,3/8"X18.....	1
2	49212	FEMALE BULKHEAD CONNECTOR-8.....	2
3	60886P	BRACKET,AIRLINE TO PLATFORM.....	1
4	4828	NUT,NYLOCK,3/8-16	
5	5397	WASHER,FLAT,USS,5/16",Y	
6	39888-183600	HOSE,1/2,LOW PRESSURE,801-8.....	1
7	122755	UBOLT,FLATTENED,1.5DIAX3/8 UNC	
8	49214	MALE PIPE THD,1/4" SER,3/8"X18.....	1

806.1 Platform Options



806.1 Platform Options

Item	Part No.	Description	Qty.	Item	Part No.	Description	Qty.
--	53807-S	AUX TOP RAIL,8'(1.25")SERVICE		8	128368	KIT,SWING GATE W/SPRING.....1	
--	122279	AUX TOP RAIL,8',SWG GT, SRV		--	119950	KIT,FIELD INSTALL,SWING GATE <i>includes 128368</i>	
--	119950	KIT,FIELD INSTALL,SWING GATE <i>includes 128368, 1487, 1488, and 33674</i>		--	1487	GATE LATCH CASTING--DRILLED	
--	75527	HARNESS,WORKLIGHT OPT		--	1488	RAILING CATCH CASTING--DRILLED	
--	T108991	HARNESS,PLAT,WORKLIGHT,12V <i>connects to work light</i>		--	33674	PIN,LOCK,SHORT***	
--	T108990	CABLE,12/3, WORKLIGHT, 12V <i>connects harness T108991 to harness 75527</i>		9	43392	BUMPER,BATTERY BOX & RAILS.....1	
--	102720	OPT,TOEBOARD,8'TRI ENTRY,EURO <i>includes items 5, 13-16</i>		10	1487	GATE LATCH CASTING--DRILLED.....1	
--	111287	8' TRI-ENTRY ASSY ANSI <i>(S-120) USA/Canada Models</i>		11	33674	PIN,LOCK,SHORT***1	
--	111291	8' TRI-ENT ASSY ANSI <i>(S-125) USA/Canada Models</i>		12	1488	RAILING CATCH CASTING--DRILLED.....1	
--	102447	8' TRI-ENTRY ASSY CE S105/125 <i>(S-125) European Models</i>		13	102721P	TOEBOARD,8'TRI ENTRY.....2	
--	111281	8' TRI-ENTRY ASSY CE/UK <i>(S-120) European Models</i>		--	139438	TOEBOARD, TRI ENTRY 6', EURO	
--	111289	8FT TRI-ENTRY ASSY AUST <i>(S-120) Australia Models</i>		14	94745P	TOEBOARD,ENTRY EUROPEAN PNTD**1	
--	111293	8' TRI-ENT ASSY AUST <i>(S-125) Australia Models</i>		15	6090	SCREW,HHC,1/4-20 X .75	
--	102938	8' TRI-ENT ASSY A/SO.A S105125 <i>(S-125) Asia/South America Models</i>		16	6638	WASHER,FLAT,USS,1/4"Y	
--	111285	8FT TRI-ENT ASSY A/SO.AM <i>(S-120) Asia/South America Models</i>		17	111318	8' TRI-ENT RAIL W/DECALS ANSI <i>(S-120) USA/Canada Models</i>	
1	9599-S	TOOL TRAY ACCESSORY***.....1		17	111320	8' TRI-ENT RAIL W/DECALS ANSI <i>(S-125) USA/Canada Models</i>	
2	1259704	PINCH GUARD RAIL,6' PLATFORM.....1 <i>includes 55753 bumpers</i>		--	107706	8' TRI-ENT RAIL W/DECALS CE/UK <i>(S-125) European Models</i>	
--	111485P	AUX TOP RAIL,6FT,PTD.....2 <i>for use with swing gate</i>		--	111312	8' TRI-ENT RAIL W/DECALS CE/UK.....1 <i>(S-120) European Models</i>	
--	111486P	AUX TOP RAIL,8FT,PTD.....2 <i>for use with swing gate</i>		--	107708	8' TRI-ENT RAIL W/DECALS AUSTR <i>(S-125) Australia Models</i>	
--	52661	PINCH GUARD RAIL,8' PLATFORM**.....1		--	111314	8' TRI-ENT RAIL W/DECALS AUSTR <i>(S-120) Australia Models</i>	
3	122231	SCREW,BHSC,1/4-20 X 1		--	107710	8' TRI-ENT RAIL W/DECALS A/SOA <i>(S-125) Asia/South America Models</i>	
4	6889	NUT,LP NYLOCK,1/4-20		--	111316	8' TRI-ENT RAIL W/DECALS A/SOA <i>(S-120) Asia/South America Models</i>	
5	122073	SUPPORT, RAILING.....20		18	6145	SCREW,HHC,1/4-20 X 1.5	
6	55753	BUMPER, PLASTIC, 1.25 O.D.....4		19	6356	WASHER,LOCK,.25	
7	7265	RIVET,STEEL,P, .25 X .375.....14		20	35956	BRACKET,WORK LIGHT MOUNT 5/16"	
				21	5397	WASHER,FLAT,USS,5/16", Y	
				22	10107	SCREW,HHC,5/16-18 X .75	

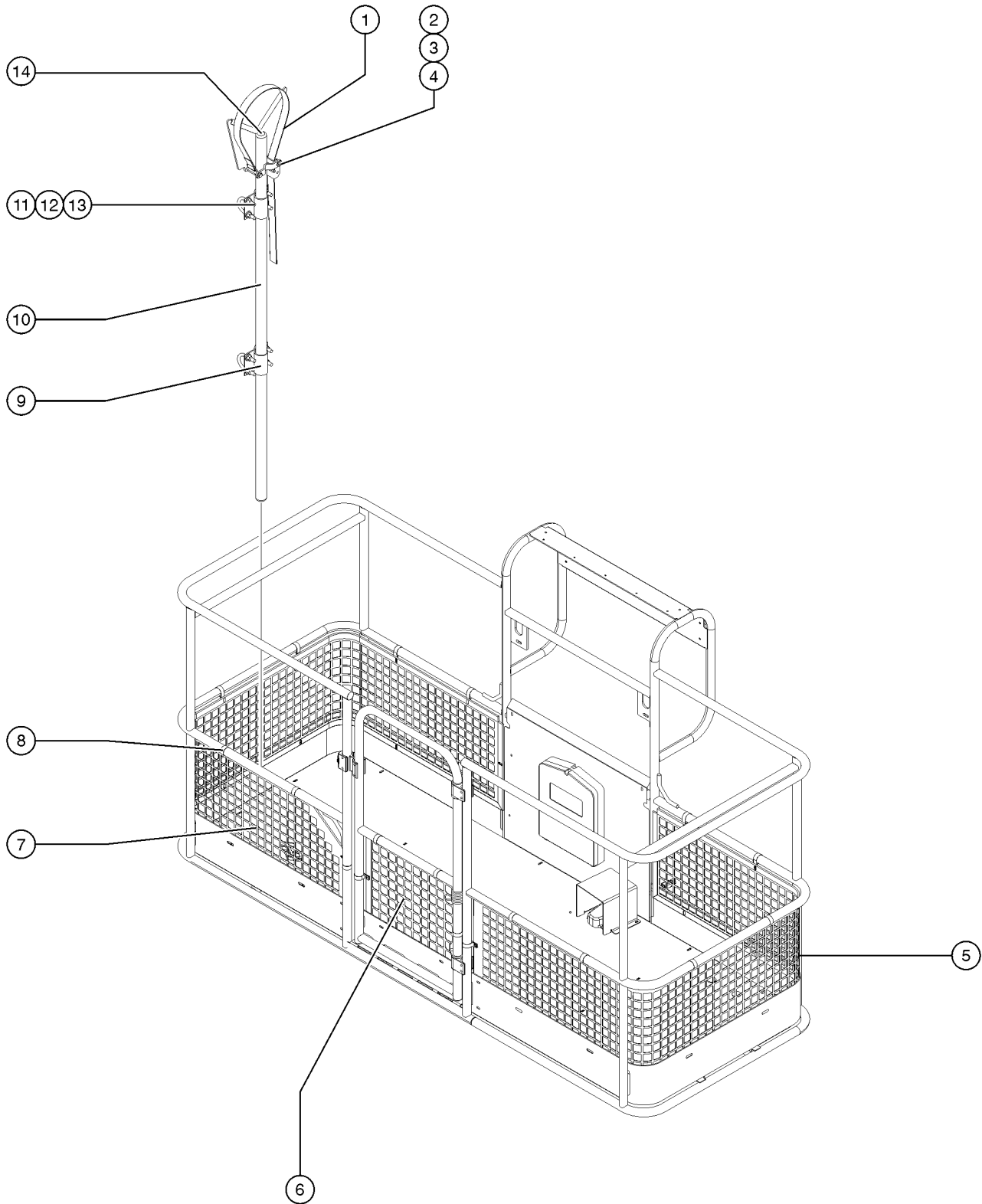


806.1 Platform Options
(continued)

Item	Part No.	Description	Qty.
23	71498	WORKLIGHT, 12V, DEUTSCH RECEPT.....	2

This Page Intentionally Left Blank

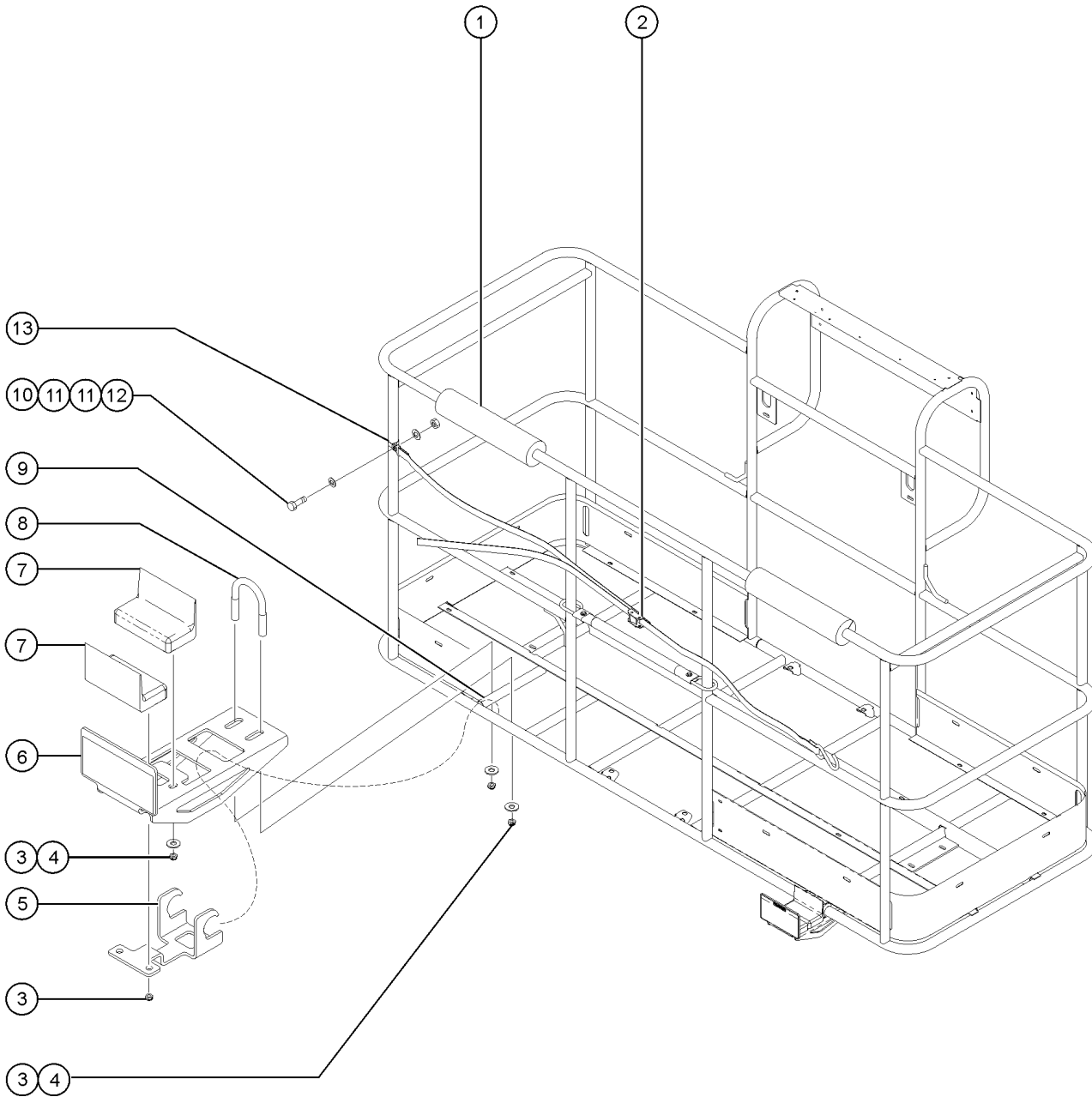
807.1 Half-mesh and Pipe Cradle Options



807.1 Half-mesh and Pipe Cradle Options

Item	Part No.	Description	Qty.
--	85300	PIPE CRADLE ASSY. SERV (ONE)**	
--	72875	DECAL,WARNING,PIPE CRADLE,BOOM	
--	Ref.	Swing Gate Option, Complete <i>(refer to 806.1)</i>	
1	56570	STRAP, CONDUIT HOLDER 60".....1	
2	6884	SCREW,HHC,1/4-20 X 2.5	
3	6638	WASHER,FLAT,USS,1/4"Y	
4	6889	NUT,LP NYLOCK,1/4-20	
5	73500	HALF MESH,8'PLATFORM,RH***.....1	
6	54457	MESH,HALF,SWING GATE***.....1	
7	73501	HALF MESH,8'PLATFORM,LH.....1	
8	56424	CLAMP,1.25X.5 RUBBER-CUSHION	
--	6090	SCREW,HHC,1/4-20 X .75	
--	6091	NUT,NYLOCK,1/4-20	
--	6638	WASHER,FLAT,USS,1/4"Y	
9	81368	WELDMENT,PIPE CRADLE MOUNT.....1	
10	56525	WELDMENT, PIPE CRADLE.....1	
11	122755	UBOLT,FLATTENED,1.5DIA X 3/8 UNC.....8	
12	4828	NUT,NYLOCK,3/8-16	
13	5397	WASHER,FLAT,USS,5/16",Y	
14	55753	BUMPER, PLASTIC, 1.25 O.D.....4	

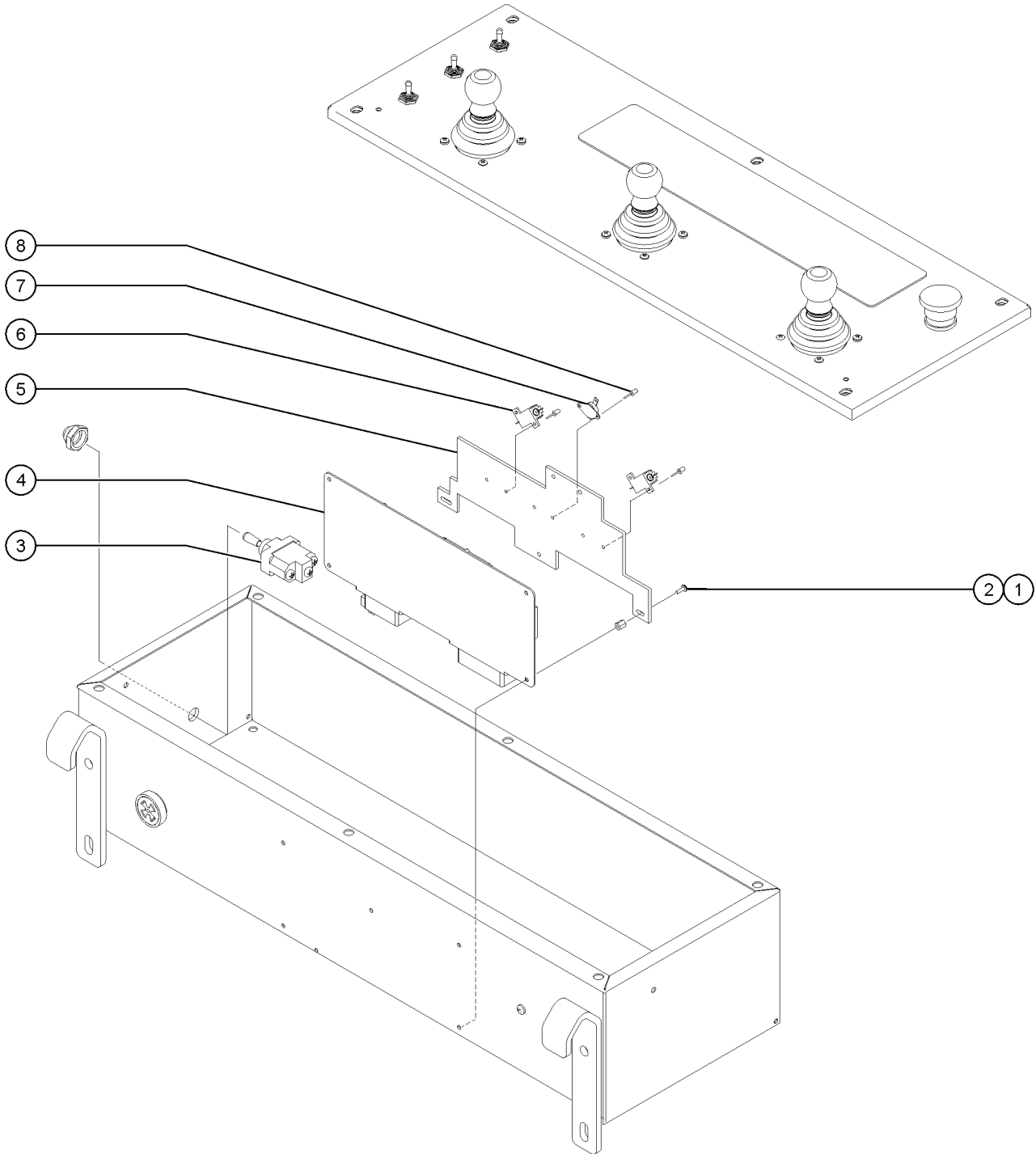
808.1 Panel Cradle Option



808.1 Panel Cradle Option

Item	Part No.	Description	Qty.
--	77683-S	OPTION, GLAZIER PACKAGE, ANSI (ANSI models)	
--	94493-S	KIT, PANEL CRADLE, CE (CE models)	
1	88377-1400	FOAM PAD.....	2
2	77664	ADJUSTABLE STRAP ASSY.....	1
3	7713	NUT, LP NYLOCK, 3/8-16	
4	5397	WASHER, FLAT, USS, 5/16", Y	
5		<i>77576P is no longer available. Must install 2 each (two) of service kit 233992 (ANSI) or 233993 (CE) for initial replacement</i>	
6		<i>89724 is no longer available. Must install 2 each (two) of service kit 233992 (ANSI) or 233993 (CE) for initial replacement.</i>	
--	233992	KIT, PANEL CRADLE BRACKET, WORD.....	1
		(ANSI models)	
--	233993	KIT, PANEL CRADLE BRACKET, SYMBL.....	1
		(CE models)	
7	56934	PAD, REST, 1" THICK, FLANGED.....	4
8	122755	UBOLT, FLATTENED, 1.5DIAX3/8 UNC.....	2
9	73463-1175	TUBE, RD, ALUM 1.25 X .083.....	2
10	8914	SCREW, HHC, 1/4-20 X .625	
11	6638	WASHER, FLAT, USS, 1/4" Y	
12	6889	NUT, LP NYLOCK, 1/4-20	
13	56424	CLAMP, 1.25X.5 RUBBER-CUSHION	

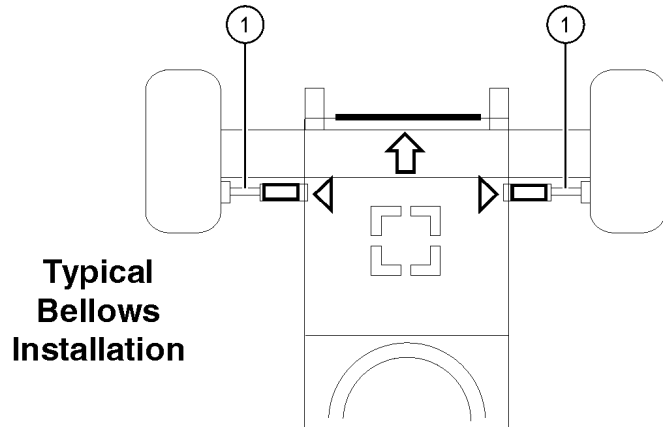
809.1 Circuit Board Heater Option



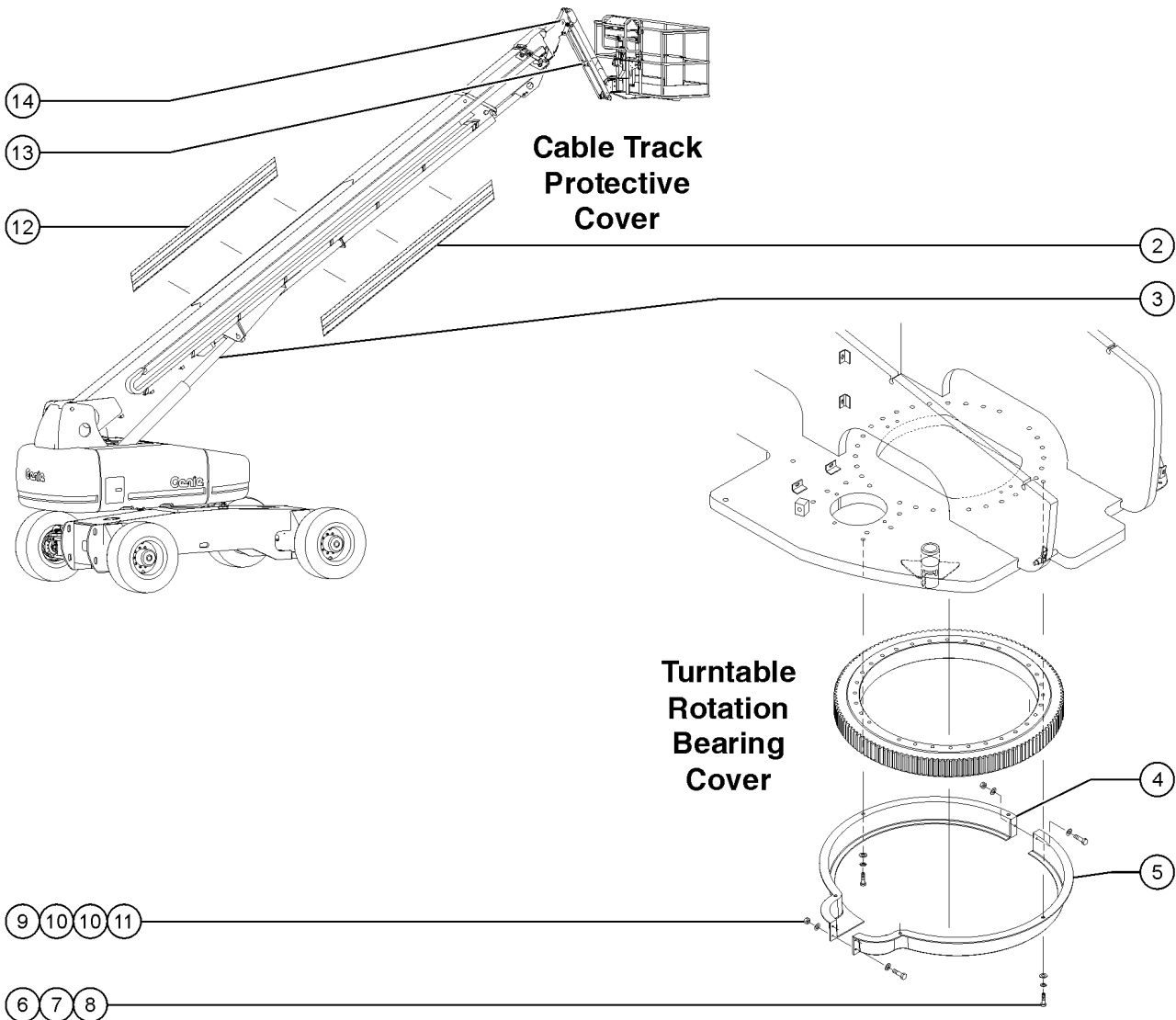
809.1 Circuit Board Heater Option

Item	Part No.	Description	Qty.
1	81551	SCREW,PHIL,PHM,6-32 X 1/4 SS...4	
2	119534	STANDOFF,1/4X1/4 M-F 6-32 S/S.....4	
3	128204	SWITCH TOGGLE ASSY SPDT 2P MNT	
--	T115352	DECAL,OPTION CONTROL BOX HEATR	
4	Ref.	PCB Assembly, PCON <i>(refer to 603.1)</i>	
5	122723	BRACKET,PLATFORM HEATER OPTION	
6	27287	RESISTOR,10 OHM,25 WATT.....2	
7	119641	SWITCH,THERMOSTAT 85F OPEN.....1	
8	6272	RIVET,STL,ST.MAN,P,.125 X .25	

810.1 Hostile Environment Package - View 1



Typical Bellows Installation



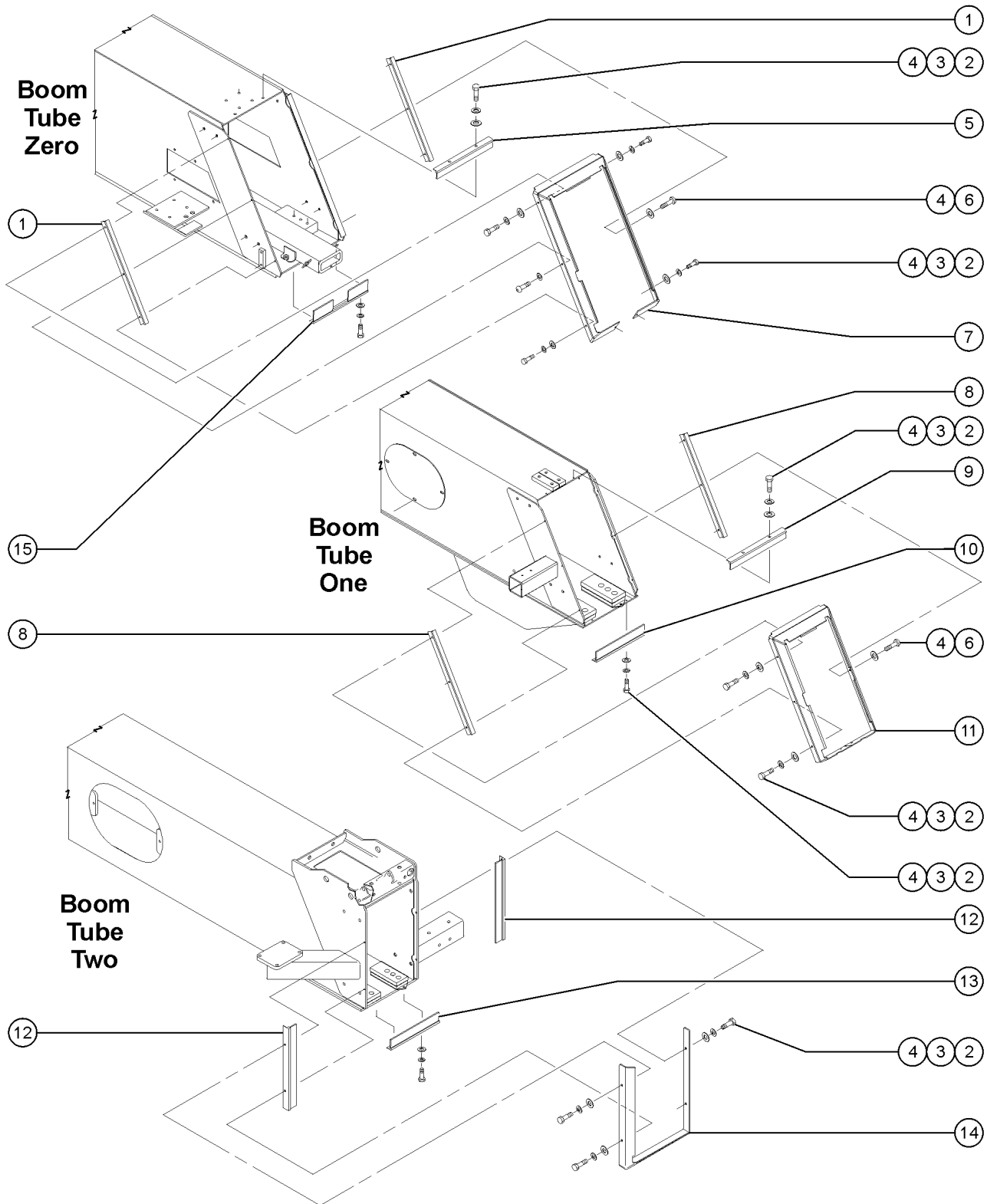
Cable Track Protective Cover

Turntable Rotation Bearing Cover

810.1 Hostile Environment Package - View 1

Item	Part No.	Description	Qty.
1	60627	COVER,PROTECTIVE,STEER CYL***.....	4
--	22672	CLAMP,HOSE,1.75	
--	30489	CLAMP,HOSE,3.50	
2	61298	COVER,84 LINK TRACK.....	1
3	60326	COVER,PROTECTIVE,LIFT CYLINDER.....	1
--	31523	CLAMP,HOSE,8.50 DIA***	
--	35432	CLAMP,HOSE,6.50	
4	61118	COVER,SWING BEARING FRONT.....	1
5	61119	COVER,SWING BEARING REAR....	1
6	10587	SCREW,HHC,1/2-13 X.75	
7	6033	WASHER,LOCK,0.5"	
8	6095	WASHER,FLAT,USS,1/2",Y	
9	6090	SCREW,HHC,1/4-20 X .75	
10	6638	WASHER,FLAT,USS,1/4"Y	
11	6091	NUT,NYLOCK,1/4-20	
12	61297	COVER,50 LINK TRACK.....	1
13	34505	COVER,PROTECTIVE,JIB CYLINDER.....	1
--	22672	CLAMP,HOSE,1.75	
--	30971	CLAMP,HOSE,3.00"	
14	60628	COVER,PROTECTIVE,PLAT.LEVELING.1 (S-120)	
14	61393	COVER,PROTECTIVE,PLAT. LEVLING.....	1
--	22672	CLAMP,HOSE,1.75 (S-125)	
--	30489	CLAMP,HOSE,3.50 (S-125)	
--	30971	CLAMP,HOSE,3.00" (S-120)	
--	36208	CLAMP,HOSE,1.25*** (S-120)	

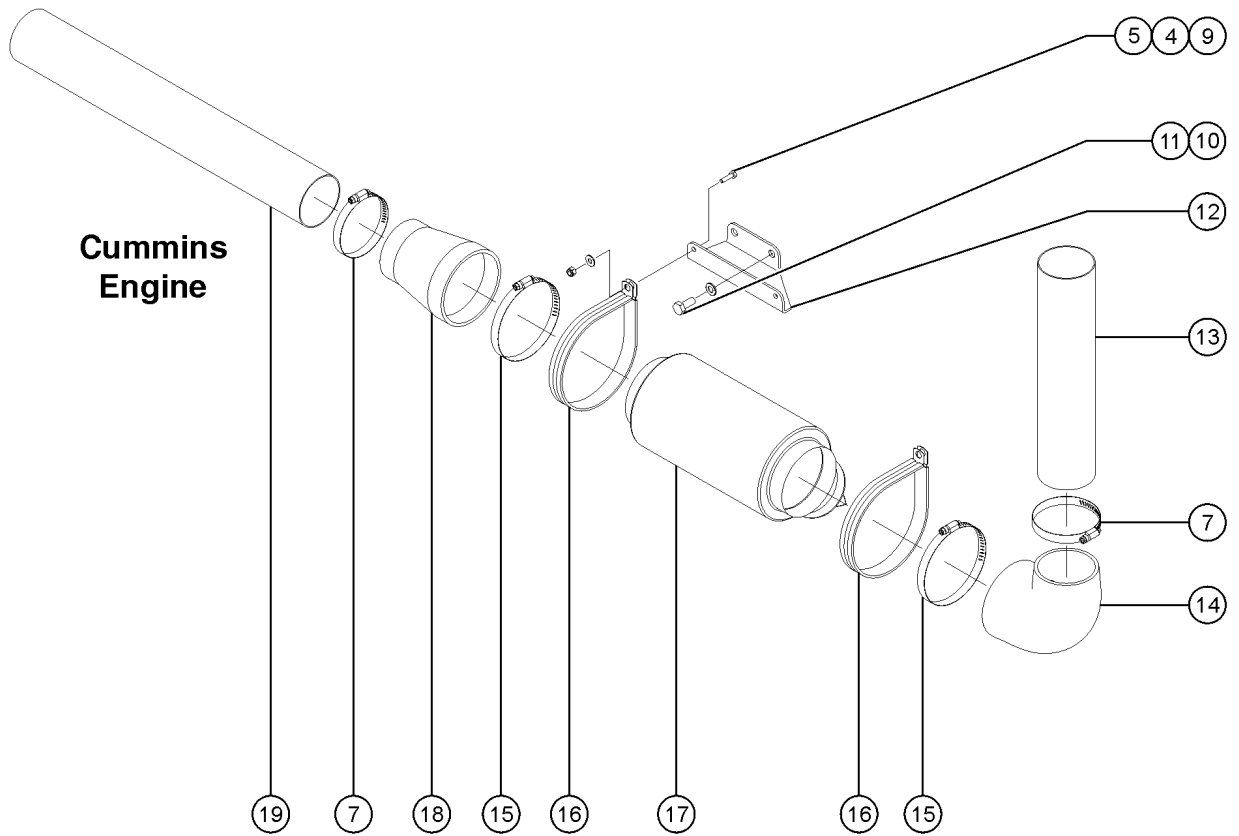
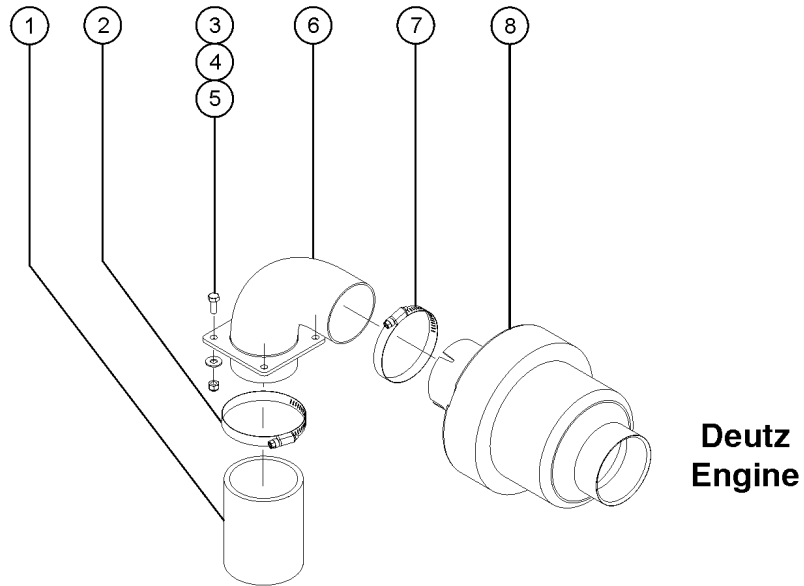
811.1 Hostile Environment Package - View 2



811.1 Hostile Environment Package - View 2

Item	Part No.	Description	Qty.
1	60232	BRUSH,SIDE,MAST #0.....	2
2	6090	SCREW,HHC,1/4-20 X .75	
3	6356	WASHER,LOCK, .25	
4	6638	WASHER,FLAT,USS,1/4"Y	
5	60233	BRUSH,TOP,MAST #0.....	1
6	14297	SCREW,BHHS,1/4-20 X .75	
7	60158	COVER MAST #1.....	1
8	60234	BRUSH,SIDE,MAST #1.....	2
9	60235	BRUSH,TOP,MAST #1.....	1
10	60244	BRUSH,BOTTOM,MAST #1.....	1
11	60157	COVER MAST #2.....	1
12	60236	BRUSH,SIDE,MAST #2.....	2
13	60237	BRUSH,BOTTOM,MAST #2.....	1
14	60156	COVER MAST #3.....	1
15	60243	BRUSH,BOTTOM,MAST #0.....	1

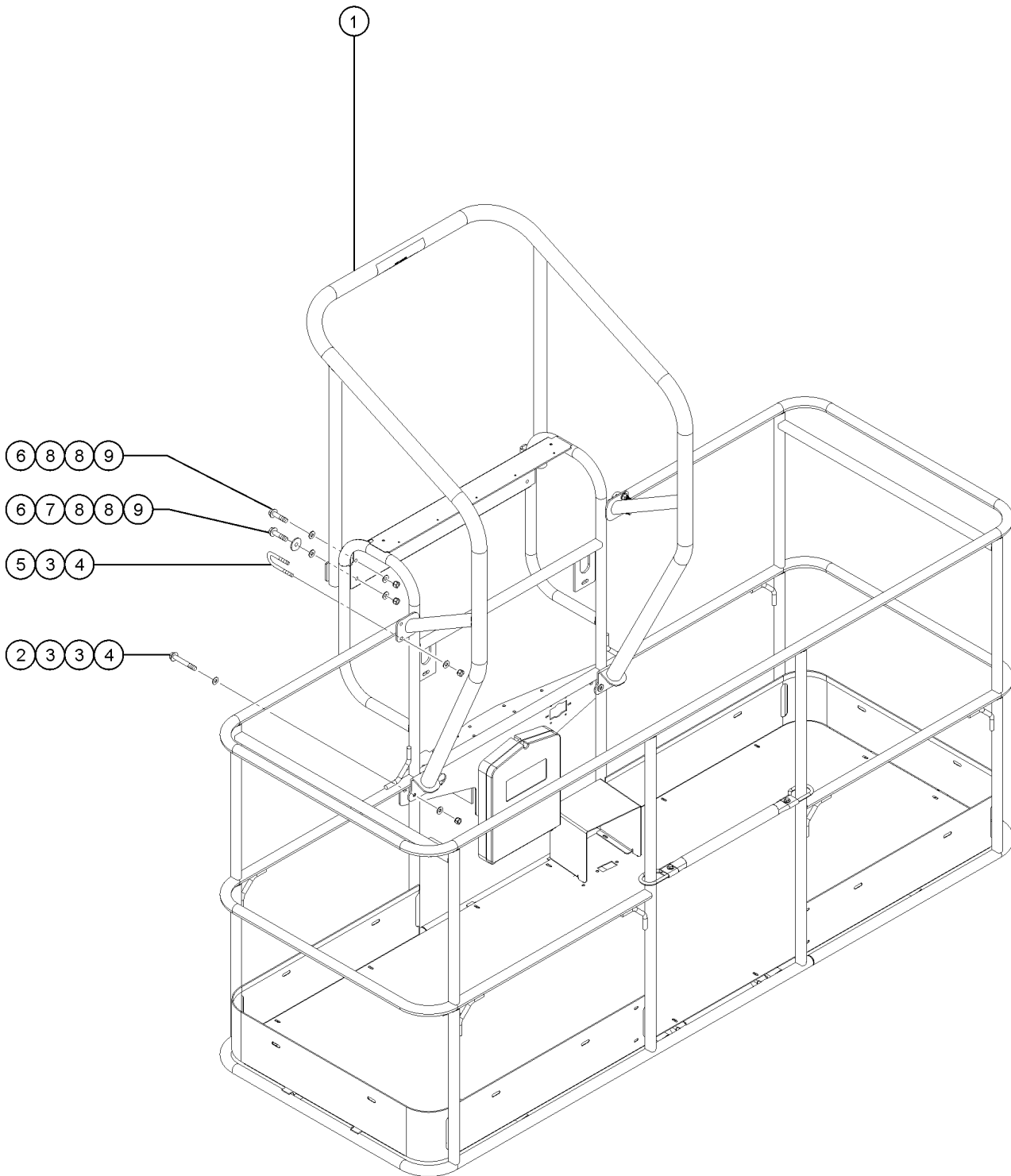
812.1 Engine Air Cleaners



812.1 Engine Air Cleaners

Item	Part No.	Description	Qty.
--	70515	OPTION,PRECLEANER DEUTZ***	
--	122910	OPT,PRECLEANER CUMMINS B3.3T	
1	106211-400	HOSE,RUBBER 3"ID X .25 BLACK.....	1
2	30489	CLAMP,HOSE,3.50.....	4
3	6090	SCREW,HHC,1/4-20 X .75	
4	6638	WASHER,FLAT,USS,1/4"Y	
5	6091	NUT,NYLOCK,1/4-20	
6	102220	WELDMENT,PRECLEANER,DEUTZ.1	
7	30971	CLAMP,HOSE,3.00".....	3
8	89959	PRECLEANER,INLINE 3".....	2
9	6888	SCREW,HHC,1/4-20 X 1	
10	27034	SCREW,HHC,M10 X 25MM,GR 8.8	
11	22699	WASHER,FLAT,M10,ZINC PLTD.	
12	122914	BRACKET,PRECLEANER MNT B3.3T	
13	122912	TUBE,INTAKE,PRECLEANER B3.3T	
14	122913	REDUCER,90DEG,4.0 X 3.0	
15	34955	CLAMP,HOSE,5.00	
16	101639	CLAMP,5.38,#86 X 3/8,RUB CUSH.....	2
17	88493	PRECLEANER,AIR INTAKE	
18	122432	REDUCER,RUBBER,4.0 X 3.0	
19	122911	TUBE,INTAKE,PRECLEANER B3.3T	

813.1 Operator Protection Structure



813.1 Operator Protection Structure

Item	Part No.	Description	Qty.
1	219158	ACCESSORY,OPERATOR PROT STRUCT.....1 <i>(Complete) includes all fasteners</i>	1
2	8178	SCREW,HHC,3/8-16 X 2.5.....4	4
3	6097	WASHER,FLAT,USS,3/8",Y.....12	12
4	4828	NUT,NYLOCK,3/8-16.....8	8
5	122755	UBOLT,FLATTENED,1.5DIA X 3/8 UNC.....2	2
6	6888	SCREW,HHC,1/4-20 X 1.....4	4
7	15086	WASHER,FLAT,.375 X 1.5 X .125....2 <i>Use only with the platform control box cover option</i>	2
8	6638	WASHER,FLAT,USS,1/4"Y.....8	8
9	6091	NUT,NYLOCK,1/4-20.....4	4

Part Number Index

The Part Number Index is a numeric index of all part numbers included in this manual. The index shows what page(s) the part is used on.

Part Number	Page	Part Number	Page	Part Number	Page	Part Number	Page
101005	109	102595	57-58	111278	103, 105	122411	49
101005H	109	102596	57-58	111281	153-154	122412	47
101068	127	102597	57-58	111285	153-154	122413	49
10107	23, 29, 33, 43, 153-154	102598	69	111287	153-154	122414	49, 73
101070	19	102632	69	111289	153-154	122415	47
101174	109	102633	69	111291	153-154	122423	49
101174H	109	102634	71	111293	153-154	122424	47
101175	109	102638	69	111312	153-154	122425	49
101175H	109	102639	69	111314	153-154	122427	49
101382	105	102646	71	111316	153-154	122428	47, 49
101383	105	102659	43	111318	153-154	122432	49, 167
101384	105	102671	99	111320	153-154	122433	49
101601	67	102675	99	111328	25	122434	49
101602	67	102676	145	111329	27	122435	49
101603P	63-64	102684	21	111330	25	122438	47
101604P	63-64	102701	113, 115	111402	57-58	122439	117-118
101606P	63-64	102704	23	111409	77	122466	49
101613	67	102710	43	111410	77	122467	49
101628	63-64	102720	153-154	111436	133-134	122470	49
101629	63-64, 67	102721P	153-154	111437	133-134	122472	49
101634	71	102728	17	111445	57-58	122494	127
101639	167	102729	17, 23	111485P	153-154	122495	127
101640	73	102785P	145	111486P	153-154	122516	45
101644	63-64	102786P	145	111523	86	122517	45
101726	41	102854	145	111526	145	122519	45, 107
101845	147	102938	153-154	111637	37-38	122551	97
101888	45	102947	27	111639	47	122591	49
101930	73	102948	27	111668	57-58	122592	49
101931	73	102992	103, 105	111997	81, 89	122593	63-64
101934	123	102993	29	11209	33, 79	122594	47
101957	49, 53, 67, 71	102994	29	114112	11, 13	122602	49
101958	115	104759	113	11413	31	122603	49
101964	27	104760	113	114247	11, 13	122604	49
102020	89	10587	33, 79, 163	114249	11, 13	122605	49
102045	47, 55, 63-64, 67	10597	15, 23	114251	11, 13	122613	49
102051	81	106098	19	114252	11, 13	122614	49
102052	89	106118	19	114473	11, 13	122615	49
102064	19	106211-300	73	119534	161	122625	47
102106	41	106211-400	167	119536	97	122701	63-64
102190P	37-38	106211-475	55	119542	97	122702	63-64
102200-S	103, 105	106226-4000	67	119619	17	122708	47
102205P	29	10665	85-86	119620	17	122709	47
102208	55	106756	21	119641	161	122723	161
102209P	53	106873	21	119915	109	122755	99, 101, 151, 157, 159, 169
102210P	61	106874	21	119950	153-154	122768	149
102211	81, 89	106875	21	121340	57-58	122771	149
102212	81, 89	106914	33	121657	45, 107	122791	89
102213	89	107706	153-154	122015	85-86	122795	79
102214	81, 89	107708	153-154	122016	85-86	122796	79
102215	81, 89	107710	153-154	122019	143	122797	79
102216	81, 89	10777	25, 99, 101	122034	81, 89	122875	53
102218P	61	107830	19	122073	153-154	122877	47
102220	167	110180	123	122078	107	122894	25
102237P	55	110194	111	122079	99, 101	122910	167
102348	69	110304	63-64	122114	81, 89	122911	167
102394	117-118	110771-74B69	91	122225	89	122912	167
102395	117-118	110771-74BJ9	29, 81	122231	153-154	122913	167
102396	117-118	110789	147	122247	23	122914	167
102398	117-118	111143	35	122248	17, 23	122918	33
102447	153-154	111144	35	122249	17	122919	33
102449	21	111145	35	122272	25, 27	122944	93, 95
102450	21	111149	86	122279	153-154	122949	143
102452	21	111176	79	122321	89	122951	143
102496	111	111185	51	122322	89	122954	107
102580	57-58	111189	99	122323	143	122964	123
102581	57-58	111193	99	122335	47	123081	71
102582	57-58	111205	101	122336	35	123351	69
102584	57-58	111209	101	122337	35	12344	45
102586	57-58	111213	101	122366	45	12443	103, 105
102587	57-58	111217	101	122402	47	12460	83
102590	57-58	111253	105	122404	47	1251893	73
102592	57-58	111261	103	122407	49	1251894	73
102593	57-58	111265	103	122408	49	1251897	73
102594	57-58	111269	103	122409	47	1251902	71
		111273	103	122410	47		

Part Number Index (continued)

Part Number	Page	Part Number	Page	Part Number	Page	Part Number	Page
1251997	71	14033	17, 29, 81, 83, 89	217021	37-38	27836	111
1253498	69, 71	14295	67	217022	37-38	28159	11, 13
1253600	73	14297	79, 83, 165	217023	37-38	28174	11, 13
1254826	57-58	146044	49	217232	69	28235	11, 13
1255653	57-58	146045	49	217457	69, 73	28646	17, 23, 33, 43
1257924	71	146046	47	217458	69, 73	28853	149
1259704	153-154	146047	47	217459	69	29080	83, 89
128000	109	146048	64	217460	69, 73	29557	57-58
128001	109	146054	51, 61, 75	217500	73	29559	57-58
128004	53, 67	146056	95	217709	85-86	29560	57-58
128204	161	146061	57-58	219158	169	29739	127
128207	67	146073	93, 95	22558	53, 55	29764	99, 101
128242	63-64	146089	77	22571	63-64	29868	29, 38, 43, 81, 91
128243	63-64	146091	77	22578	53	29883	47
128244	67	146093	77	226060	67	30143	37-38
128245	67	146191	45	226061	67	30217	93, 95
128246	67	146192	91	226103	57-58	30222	95
128247	63-64	146193	117-118	226104	57-58	30255	93, 95
128248	67	146194	107	226105	57-58	30370	89, 93, 95
128249	67	146198	29, 81	226106	57-58	30418	77, 79
128250	67	146199	91	226127	67	30468	145
128268	95	146306	49	226128	67	30489	53, 55, 67, 73, 163, 167
128274	149	146324	77	226393	143	30490	47
128280	63-64	146325	29, 81, 91	22672	73, 163	30748	31, 85-86
128368	153-154	146352	49	22697	49	30971	57-58, 163, 167
128373	149	146389	107	22699	47, 49, 67, 167	30997	107
128421	67	146390	107	227158	77	31106	93
128424	67	146399	147	227159	77	31523	163
128447	35	146420	11	22788	17, 23	31658	41
128450	97	146421	13	22832	91	31817	63-64
128454P	97	146476	81, 89	228866	123	33247	85-86
128482	97	146477	81, 89	229405	123	33277	63-64, 67
128483	97	146478	107	229406	123	33278	86, 89
128505	47	147121	103, 105	229407	123	33418	47, 55, 63-64, 67
128534	97	147221	103, 105	229411	123	33428	15, 95
128554	67	1487	153-154	229567	107	33555	25, 27
128555	67	1488	153-154	229768	103, 105	33674	153-154
128636	29, 81, 91	149283	19	230073	69, 73	33681	91
128638	63-64	149284	19	23057	63-64, 67	33987	43
128661	63-64	15086	169	230983	123	34052	45, 107
128724	97	15243	25, 91	230993	121	34058	71
128801	63-64	15436	71	231087	71	34127	19
128829	38, 47, 53, 63-64	16487	91	231511	73	34131	77
128858	63-64	18189	37-38	231513	71, 73	34243-500	83
12906	25, 27	18383	85-86	231529	69, 71, 73	34348	33, 77
12981	89	18396	17	231530	69, 71	34505	163
13000	47	18596	15, 47, 55, 63-64, 67, 85-86	231532	71, 73	34550	77
13002	37-38, 47			231533	69, 71, 73	34619	25, 147
13003	55, 63-64, 67	20224	117-118, 131, 133-134, 137, 139, 141	231993	38	34955	167
13004	47			232841	85-86	35418	41
130187	69			232842	85-86	35432	163
130341	71	20262	103, 105	232874	73	35434	67, 73
13037-S	107	20973	103, 105	233942	123	35675	51, 61, 75
13064	33, 47, 55, 63-64, 67, 85-86	21121	103, 105	233992	159	35956	153-154
13066	19, 49, 55, 63-64, 85-86	21130	49, 53, 71	233993	159	35958	143
133067	11, 13	21187	25	235068	38	35960	143
133205	11, 13	214393	37-38	236240	71	36208	163
13585	99, 101	21465	37-38, 41	236695	101	37187	43
13852	93, 125	21496	53	237068	37-38	37191	43
139066	63-64	215209	37-38	237232	21	38028	85-86
13918	33, 95	215210	37-38	237233	21	38601	79
139321	53	215229	43	237832	71	38620	83, 89
139322	53	215496	71	24037	63-64	38859	51
139438	153-154	215500	71	24038	63-64	38922	63-64
139451	103, 105	215509	71	24514	103, 105	39346	113
139455	55	215510	71	25683	95	39479	17, 29, 31, 85-86
139598	109	215511	73	25685	147	39888-183600	151
139612	63-64	215515	73	27034	47, 49, 67, 167	40265	29, 31
139621	57-58	215516	73	27204	11, 13	40434	11, 13
139624	53	215517	71	27205	11, 13	41468	63-64
139666	53	215918	73	27206	11, 13	41489	35
139709	57-58	21604	147	27207	11, 13	42941	41
139798	49	216286	69	27246	107	42941-11500	37-38
139983	55	216564	69	27287	161	43018	15, 93, 95, 125
		216597	69, 73	27584	47, 63-64, 67	43392	145, 153-154
		216758	71	27761	111		

Part Number Index (continued)

Part Number	Page	Part Number	Page	Part Number	Page	Part Number	Page
43955	25, 99, 101	48996	43, 134	49857	99, 101	56912	17, 23, 25, 27,
44174	113, 117-118,	48997	117-118, 131,	49915	57-58		31, 41, 43, 49,
	123		134, 137, 139,	49924	57-58		63-64, 67, 79,
44175	113, 117-118		141	50032	19		81, 83, 97, 103,
44178	117-118	49116-10337	131	50035	33		105
44224	117-118	49116-10937-S	129, 131	50060-S	17	56927	103
44225	117-118, 123	49116-11537-S	129, 131	50099	79	56934	159
44227	113, 115, 117-	49116-12237	131	50100	85-86	57072	83
	118, 123	49116-42237-S	141	50117-S	89	57160	37-38
44228	123	49116-5337-S	129	50154	23	57201	99, 101
44229	113	49116-6037-S	129	50160	83	58222	37-38
44230	113, 117-118	49117-12791-S	139	50161	43	58223	37-38
44236	113	49117-1391-S	141	50188	19	58249	58
44335	91	49117-2091-S	139	50207	93	58256	57-58
44714	47	49117-3191	137	50212	93	58299	57-58
44743	103, 105	49117-5035-S	131	50243	85-86	58566	57-58
44981	11, 13	49117-5591	137	50245	83, 89	58593	45
45076	85-86	49117-5835	129, 131	50246	83, 89	58630	57-58
45209	31, 83	49117-5935	129	50247	85-86	6002	25, 27, 29, 31
45226	17, 51, 61, 75,	49117-6435	131	50787P	53	60156	91, 165
	85-86, 93, 95	49118-23308	141	50790	25, 27	60157	83, 165
45363	43, 71	49118-9708-S	141	50810	107	60158	83, 165
45435	73	49119-10678	131	50811	45	60163-S	85-86
45495	33	49119-3848	137, 139	50813	93, 95	60164	85-86
45708	37-38	49119-5648	139	5094	25	60171	85-86
45748	85-86, 147	49120-48181-S	141	50974	29, 37-38, 43,	60177-S	83, 89, 91
45782	57-58	49126-1783	134		47, 53, 63-64, 71	60179	85-86
45916	117-118	49128-1650	134	51063	29, 77, 81, 147	60181-S	85-86
46216	117-118, 123	49128-3109-S	141	51131	51, 61, 75	6019	17, 23, 29, 37-
47377	93, 95	49128-51809	133-134	51147	38		38, 41, 43, 47,
4828	17, 25, 33, 37-	49130-49382	134	52087	127		51, 53, 61, 63-
	38, 41, 43, 47,	49130-51982	134	5224	77, 81, 85-86,		64, 71, 75, 77,
	49, 53, 55, 63-	49130-55382	134		95, 97		83, 85-86, 89,
	64, 71, 77, 79,	49130-72982	133-134	52352	57-58		91, 93, 95, 99,
	81, 85-86, 89,	49130-76382	133-134	52371	123		101
	91, 93, 95, 97,	49141-2963-S	129, 131	52373	117-118	60192	85-86, 89
	99, 101, 103,	49141-4263-S	133-134	52374	117-118	60194	89
	105, 143, 147,	49141-5663	129	52466	117-118	60205	85-86
	151, 157, 169	49143-1929	133-134	52661	153-154	60207	79
48875	141	49143-2779-S	133-134	52723	111	60208	85-86
48880	117-118, 131,	49143-3529	133-134	52726	111	6021	17, 19, 23, 29,
	133-134, 137,	49143-3829-S	133-134	52768	43		31, 37-38, 43,
	139, 141	49143-42290	141	52905	117-118		47, 49, 51, 61,
48885	17, 23, 33, 43	49143-6329-S	133-134	52907	115, 117-118,		75, 77, 79, 81,
48892	141	49143-7029-S	133-134		123		83, 85-86, 89,
48894	129, 141	49143-8429	133-134	53471	67		91, 93, 95, 97
48904	129, 134, 137,	49159-6118-S	133-134	5361	31	60215-S	85-86
	139, 141	49183-10692-S	141	5365	53, 71	60216	85-86
48905	129, 131, 141	49183-20752	141	53807-S	153-154	60217	89
48907	137, 139, 141	49183-3292	129	5387	89	60222	83, 89
48911	131	49183-4092	129	5397	23, 29, 31, 33,	60224	79
48912	129, 131, 137,	49183-46592	141		37-38, 43, 47,	60229	85-86
	139	49183-5792	129		49, 51, 53, 55,	60231	86
48915	134, 137, 139	49189-2338	17, 23		61, 63-64, 75,	60232	165
48916	133-134, 141	49207	117-118, 133-		77, 81, 91, 97,	60233	165
48918	43, 141		134		143, 151, 153-	60234	165
48920	134	49212	151		154, 157, 159	60235	165
48931	141	49214	151	53983	15, 91	60236	165
48932	133-134	49215	151	54156	85-86	60237	165
48933	129, 131, 133-	49378	67	54177	49	60239	83, 89
	134, 141	49379	67	54205	63-64	6024	47, 55, 63-64, 67
48935	133-134	49407	53	54239	81	60240	85-86
48936	129	49408	63-64, 67	54274	103, 105	60243	165
48937	133-134, 141	49410	33, 47, 63-64, 67	54355	103	60244	165
48946	134	49411	53, 55	54363	63-64	60245	81, 89
48947	133-134	49612	125, 129, 131,	54380	37-38	60247P	83
48948	129, 133-134		133-134, 141	54457	157	60256-S	81
48959	133-134	49613	125, 129, 131,	54486	145	60260	79
48960	129, 133-134,		133-134, 141	55753	153-154, 157	60266-S	79
	141	49775	33	56424	103, 105, 157,	60267	79
48963	129, 131, 133-	49816	37-38, 77, 103,		159	60297	77
	134		105	56525	157	60302	77
48978	134	49817	15, 19, 85-86,	56570	157	60304	83, 89
48983	141		147	56704	143	60322	69
48984	133-134	49819	15, 17	56843	19, 33, 35	60326	163
48985	134	49824	91, 143			60329	79

Part Number Index (continued)

Part Number	Page	Part Number	Page	Part Number	Page	Part Number	Page
6033	15, 17, 23, 33, 43, 77, 79, 86, 163	60829	81	61171	91	6175	25, 29, 37-38, 43, 51, 55, 61, 75, 79, 81, 83, 85-86, 89, 91
60331	79, 85-86	60838	29, 43, 81, 143	61174	91	6178	15, 25, 27, 33, 43, 77, 81, 91, 103, 105, 143
60332	85-86	60840	83, 89	61176P	91	61781	67
60334	37-38	60849P	83	61179	31	61972	147
60335-S	83, 85-86	60857	37-38	61185	77	61974	147
60340-S	85-86	6086	85-86	61189	37-38	61975	147
60341-S	29	60863	81	61216-S	103	61976	147
60342	81	60866	81	61222	33	61977	147
60343-S	86, 89	60868	67	61223	33	61997	147
60346-S	85-86	60872	25, 27	61225	37-38	62252	23, 29, 31, 33, 79, 83, 85-86
6035	51, 61, 75	60874	25, 27	61227	11, 13	62253	111
60356-S	86	60875	29, 51, 61, 73, 75	61233	77	62321	33
60358	85-86	60884	25, 27	61235	41	62323	113
6036	51, 61, 75	60886P	151	61236	41	62324	113, 117-118, 123
60370-S	99	60890	41	61240	41	62325	117-118
60384	107	60892	25	61245	149	62326	117-118
60393-S	33	60893	25	61250	33	62328	118
60418-S	23	60895-S	25	61259	134, 137, 139	62329	118
60422	85-86	6090	17, 31, 37-38, 43, 49, 63-64, 67, 79, 81, 83, 85-86, 93, 95, 97, 99, 101, 103, 105, 153-154, 157, 163, 165, 167	6126	33	62330	113, 117-118
60474	103, 105	6091	25, 27, 29, 37- 38, 43, 49, 53, 67, 91, 97, 99, 101, 103, 105, 147, 157, 163, 167, 169	61260	141	62332	117-118
60475	103, 105	60928	37-38	61263	133-134	62333	118
60476	103, 105	60930	37-38	61268	129	62334	117-118
60478	103, 105	60935-S	91	61269	129, 141	62335	117-118
60483-S	31	60936-S	43	61270	73	62336	118
60496-S	29	60937-S	33	61278	25	62337	113, 117-118
60508	43	60938	41	61279-S	25	62338	117-118
60521	37-38, 43	60940	38	61282	51	62339	118
60525	67	6095	23, 29, 31, 163	61294-S	91	62341	115, 117-118, 123
60526	67	60928	37-38	61297	163	62344	118
6054	41	60930	37-38	61298	163	62346	113, 115
60555	17	60935-S	91	61302	23	62347	113, 115
60559	43	60936-S	43	61306-S	95	62349	117-118
60561	49, 67	60937-S	33	61307	17, 23	62350	121
60564	73	60938	41	61308	17	62351	121
60571-S	43	60940	38	61309	17, 23	62352	121
60575-S	33	6095	23, 29, 31, 163	61310	17	62353	121
60576	73	60950	107	61318	37-38	62354	121
60578	25, 27	6096	23, 33	61321	134	62355	121
60583-S	31	60960P	79	61322	103, 105	62356	121
60584	37-38, 41	60962	79	61324-12947	33	62357	121
60585	63-64	60964	25	61326	43	62358	121
60595-S	27	60966	25	61339	99, 101	62359	121
60596	49	6097	17, 23, 25, 29, 37-38, 41, 43, 47, 49, 53, 63- 64, 71, 79, 81, 83, 85-86, 89, 91, 99, 101, 103, 105, 143, 147, 169	61340	77	62360	121
60606-S	33	60980	17	61341	77	62362	121
60618	17	60984	77	61346	129	62363	121
60625	51, 61, 75	60987	15, 77	61347	29	62364	121
60627	163	60989	85-86	61350-S	29	62365	115
60628	163	61072-8326	133-134	61352	133-134	62374	45
60637	51, 61, 75	61073-3230	133-134	61378-S	23	62375	45
60649	73	61073-5430	133-134	61379	89	62376	45
60655-S	29	61073-6230-S	133-134	61380	89	62378	45
60670-S	29	61074-20748-S	141	61384	85-86	62379	45, 107
60671	29	61079	137, 139	61385	85-86	62382	107
60691	83	61080	133-134	61393	163	62385	107
60697	85-86	61083	134	6145	93, 95, 153-154	62386	107
60708-S	37-38	61099-S	83	6146	25, 27, 33, 77, 81, 103, 105, 147	62388	107
60711	37-38	61109	71	6147	25	62389	107
60721	37-38	61110	49	61598	95	62392	109
60727-S	37-38, 43	61118	163	61602	77, 95	62395	109
60729	47	61119	163	61604	15	62399	107
60729-S	29, 37-38	61128	33	61610	15	62412	43
60745	17	61143-11263	129	61634-S	17	62413	43
60747	17	61143-11563-S	129	61649-S	23	62414	43
60757	67	61143-5463-S	129	61654	17	62416	15
60759-S	31	61164	91	61662-S	19	62419	15
60778	63-64			61663P	23		
60778P	53			61682	15		
60802	89			61683	15		
60805	41			61684	15		
60808	81			61688	15		
60815	33			61726	147		
60819P	143			61742	23		
60822-S	81			61745	89, 97		
60826	51, 61, 75						

Part Number Index (continued)

Part Number	Page	Part Number	Page	Part Number	Page	Part Number	Page
62425	53		53, 79, 91, 103,	75067	25, 99, 101	75610	37-38
62433	71		105, 145, 147,	75069	25, 99, 101	75612	129
62442	121		167, 169	75073	25, 31	75613	129, 131, 133-
62443	121	6889	31, 145, 153-	75076	25, 27, 43		134
62449	77, 79, 85-86		154, 157, 159	75087	17	75627	95
62461-S	79	6935	25	75088	17	75641	143
62465	35	69864	107	75091	79	75642-S	25
62466	35	69873	111	75098	117-118, 131,	75645	43
62467	35	70241	111		133-134, 137,	75654	133-134
62468	35	70257	49, 67		139, 141	75657-2515-S	133-134
62470-S	23	70381	49	75105-S	93	75666-S	79
62471-S	23	70387	41	75106-S	93	75682	35
62476	53, 67	70438P	55	75108-S	25	75719	38, 43
62478	21	70439P	53	75110-S	25	75762	85-86
62506	125	70440	55	75112-S	27	75769	81
62507	125	70444	49, 55, 63-64, 71	75113	43	75854	29
6272	161	70445	55	75116	35	75855	29
63213	95	70447	55	75121	37-38	75910	15, 91
6326	17	70448P	53	75129	33	75911	91
63353	95	70449	55, 63-64, 71	75130	33	75912	91
6356	17, 19, 23, 25,	70483	55, 63-64, 71	75134-S	95	75913	15, 91
	27, 31, 37-38,	70515	167	75141	107	7713	29, 47, 49, 81,
	41, 43, 79, 81,	70518	73	75142	107		89, 91, 143, 159
	83, 85-86, 91,	7056	99, 101, 103, 105	75144	107	77139	37-38
	93, 95, 103, 105,	71259	29	75249-P	143	77489	111
	107, 153-154,	71498	154	75250-P	143	77664	159
	165	71911	47, 53, 63-64, 71	75253	43, 134	77683-S	159
65182	11, 13	72043	111	75254	43, 133-134	77819	127
65264	13	72119	11, 13	75256	43, 133-134	79456	97
65265	13	72255	57-58	75257	43, 133-134	80605	147
65266	11, 13	72282	143	75259	47, 73	81175	95
65267	11	72326	45, 107	75260	73	81368	157
65268	11	7265	153-154	75274	73	81467	53, 67, 73
65278	11, 13	72875	157	75278-5529-S	129	81468	53, 67, 73
65473	47, 63-64, 73	73121-S	143	75278-5729	129	81476	51
6550	103, 105	7339	21, 31, 45, 107,	75278-6029	129	81551	45, 161
6578	67		145	75286	91	81578	43
65792	77	73461	83, 89	75288-5538-S	133-134	81640	97
65793	17	73463-1175	159	75297	73	8170	37-38
65795	93	73478P	103, 105	75304	69	81738-3300	67
6584	53, 71	73500	157	75326	69	8177	23, 77
65907	117-118	73501	157	75327	69	8178	83, 143, 169
6595	25	73587	103, 105	75328	63-64, 69	82240	11, 13
6605	143	73610P-S	103, 105	75330	69	822955	71
6606	25, 27	73711	67	75342	69	823259	49
6607	15, 17, 85-86,	73742	23	75355	85-86	823260	49
	103, 105	73807	125	75356	85-86	824029	73
6638	17, 19, 23, 25,	73928	99, 101	75395	95	824032	71
	27, 29, 31, 37-	74006	99, 101	75396	85-86	824093	73
	38, 41, 43, 47,	74052	25, 99, 101	75397	85-86	824122	73
	49, 53, 63-64,	74902	111	75409	37-38, 43	824123	73
	67, 79, 81, 83,	75007	33	75413	79	824133	71
	91, 93, 95, 97,	75008	33	75424	79, 85-86	82422	11, 13
	99, 101, 103,	75011	79	75432	35	82472	11, 13
	105, 145, 153-	75014	43	75443	109	82473	11, 13
	154, 157, 159,	75016P	93	75444	109	82481	11, 13
	163, 165, 167,	75020	71	75445	109	82487	11, 13
	169	75031	85-86, 91	75446	109	825355	71
66717	37-38	75032	77	75447	109	82547	11
66777	55, 63-64	75033	77	75448	109	82548	11, 13
66811	45	75036	15	75449	109	8255	19, 31, 37-38,
66812	45, 107	75037	33	75452-S	17		47, 49, 79, 81,
66816	45	75038	15	75456	117-118		83, 89, 91, 97,
66818	45, 107	75039-S	15, 103, 105	75457	117-118		143
66821	45, 107	75040	15	75458	117-118	82577	11, 13
6708	83, 93	75041	43	75460	75	82601	13
67505	45	75048	149	75462	117-118	82603	11, 13
6782	23, 29, 37-38,	75049	86	75463	118	82604	11, 13
	43, 47, 81	75057-S	29	75464	117-118	826516	71
67897	71	75058-S	29	75465	118	82671	11, 13
6833	43	75060	15	75527	153-154	82862	11, 13
6873	25	75061	93, 95	75537P	103, 105	83098	109
6884	157	75063	15	75554P	41	84134	111
6886	43, 79	75064	77	75555	73	84135	111
6888	23, 25, 27, 29,	75065	81	75591	43	85053	53
	31, 41, 43, 49,	75066	81	75607P	51, 75	85064	63-64

Part Number	Page	Part Number	Page
8514	15	T111702	19
8516	29, 47, 51, 53, 61, 63-64, 75, 77, 93, 95, 103, 105	T111703	19
85300	157	T112626	109
88091	41, 57-58	T114286	11, 13
88150	45	T114346	69
88315	45	T114433	11
88377-1400	159	T114434	13
88493	167	T114678	57-58
88516	95, 125	T115352	161
88606P	145		
88607P	145		
89104P	81		
89105-S	91		
89106	91		
89107	91		
89109	91		
89110	91		
8914	19, 37-38, 43, 83, 91, 103, 105, 159		
8915	25, 27, 97		
89164	91		
89166-S	89		
89171P	91		
89310	111		
89425	99, 101		
89511-S	75		
89534	95		
89536	15		
89539P	25		
89755	147		
89792	57-58		
89833	33		
89845	83		
89846	83		
89847	83		
89959	167		
89997	37-38		
89998	67		
94324	63-64		
94374-3130	129		
94374-5530	133-134		
94390-S	101		
94397	95		
94400	93		
94493-S	159		
94524	45		
94643	147		
94745P	99, 101, 153-154		
9599-S	153-154		
97388	117-118		
97757	11, 13		
97815	11, 13		
REF.	69, 73		
Ref.	15, 19, 23, 33, 43, 47, 49, 53, 55, 61, 79, 81, 83, 93, 95, 103, 105, 157, 161		
T107736	123		
T108075	93, 95		
T108076	95		
T108077	95		
T108078	93, 95		
T108732	57-58		
T108733	57-58		
T108734	57-58		
T108870	45		
T108990	153-154		
T108991	153-154		
T109424	45		
T109430	45		
T110549CS	11, 13		

Part Description Index

The Part Description Index is an alphabetical index of all part descriptions included in this manual. The index shows what page(s) the part is used on.

8

8' TRI-ENT ASSY A/SO.A S105125.....153-154
 8' TRI-ENT ASSY ANSI.....153-154
 8' TRI-ENT ASSY AUST.....153-154
 8' TRI-ENT RAIL W/DECALS A/SO.....153-154
 8' TRI-ENT RAIL W/DECALS ANSI.....153-154
 8' TRI-ENT RAIL W/DECALS AUSTR.....153-154
 8' TRI-ENT RAIL W/DECALS CE/UK.....153-154
 8' TRI-ENTRY ASSY ANSI.....153-154
 8' TRI-ENTRY ASSY CE S105/125.....153-154
 8' TRI-ENTRY ASSY CE/UK.....153-154
 8FT TRI-ENT ASSY A/SO.AM.....153-154
 8FT TRI-ENTRY ASSY AUST.....153-154

A

ACCESSORY, OPERATOR PROT STRUCT.....169
 ACCUMULATOR, 5CU IN 500 CHARGE.....123
 ACCUMULATOR, 500 PSI, HYDAC.....121
 ACTIVATOR, STEER SENSOR.....17
 ADAPTER, 1/4 FNPT X 1/2-20 UNF.....63-64
 ADAPTER-FUEL FILTER, PERK 1104.....69
 ADAPTER-OIL FILTER, PERK 1104.....69
 ADJUSTABLE STRAP ASSY.....159
 AIR BOX ASSEMBLY.....53
 AIR CLEANER, CLAMP, CUM B3.3T.....49
 AIR CLEANER, CUMMINS B3.3T.....49
 AIR CLEANER, NELSON.....53, 67, 73
 AIR FILTER, PRIMARY ELEMENT.....49
 AIR FILTER, SECONDARY ELEMENT.....49
 ALARM PKG, S100/120.....143
 ALARM, AUDIO, SUPERBOOM*.....45, 107
 ALTERNATOR.....47, 64
 ALTERNATOR, DEUTZ, BF4L2011***.....58
 ALTERNATOR, PERKINS 1104C-44.....71
 ARM, ANTI-ROTATION, SWIVEL.....33
 ASSEMBLY, DIPSTICK TUBE.....67
 ASSEMBLY, FUEL TANK, 40 GAL.....41
 ASSY / OIL TUBE.....71
 ASSY, LS, LOAD SENSE, ALC1000.....147
 ASSY, RAD/CAC, CUMMINS B3.3T.....47
 ASSY, TIRE, 445D50/710, LH.....19
 ASSY, TIRE, 445D50/710, RH.....19
 AUX TOP RAIL, 6FT, PTD.....153-154
 AUX TOP RAIL, 8'(1.25")SERVICE.....153-154
 AUX TOP RAIL, 8', SWG GT, SRV.....153-154
 AUX TOP RAIL, 8FT, PTD.....153-154

B

BACKING PLATE, HOSE BLOCK, JIB.....97
 BAFFLE, AIR INTAKE.....53
 BAFFLE, AIR INTAKE, DEUTZ PAINTD.....61
 BALL STUD**.....25, 27
 BALL STUD, GAS STRUT (38593)***.....29, 31
 BAR, RUBBER WIPER BACK-UP, PTD.....91
 BASE, WITHOUT CONTACTS.....45, 107
 BATTERY 12V, AGM DC115-12, 115AH.....37-38
 BATTERY 12V, AGM DC210-12, 220AH.....37-38
 BATTERY CABLE.....37-38, 43

BATTERY CABLE, POSITIVE DEUTZ.....37-38
 BATTERY, 12V GRP 4D, 190 AH, DRY*.....37-38
 BATTERY, 12V, 1000 CCA GRP 31.....37-38
 BEARING (refer to 406.1).....49
 BEARING KIT, PLAT ROTATOR, SUPER.....95
 BEARING KIT, RWD 1700TB***.....21
 BEARING KIT, TURNTBL. ROT. DRVHUB.....35
 Bearing, 1.5 x 2 x 1.81 inches.....85-86
 BEARING, 1.25 ID X 1.5 OD X .75.....93, 95
 BEARING, 1.25 X 1.5 X 2.....95
 BEARING, 1.25IDX1.5ODX1.00L.....89, 93, 95
 BEARING, 1.5IDX1.75ODX1.0L.....17
 BEARING, 1.5IDX1.75ODX1.5L, PTFE.....17
 BEARING, 1.75IDX2.00ODX1.50L.....17
 BEARING, 2.50IDX3.00ODX2.00L.....77
 BEARING, FL, 1.25X1.5X2.13.....95
 BEARING, FL, 1.25IDX1.41ODX1.50L.....95
 BEARING, FL, 1.25IDX1.5ODX1.25L.....51, 61, 75
 BEARING, FL, 1.5IDX1.75ODX1.10LG.....85-86
 BEARING, GARLOCK, 12FDU12.....147
 BEARING, POLYGON, 20DU12.....95
 BEARING, TURNTABLE.....33
 BELL CRANK, ASSY. W/ BEARINGS.....95
 BELT.....47
 BELT, V(2) PERKINS 1104C-44.....69
 BLANKET, BATTERY.....149
 BOLT, CARRIAGE, 1/4-20 X 1.00, G2.....97
 BOLT, CARRIAGE, 1/4-20 X 2.75, G2.....97
 BOOM #0 REST PAD.....79
 BOOM TUBE ASSY #0 S120 W/SYM.....77
 BOOM TUBE ASSY #0 S120 W/WORD.....77
 BOOM TUBE ASSY #0 S125 W/SYM.....77
 BOOM TUBE ASSY #0 S125 W/WORD.....77
 Boom Tube One.....83
 Boom Tube Zero.....79, 81, 83
 BOOT (BELLOWS), E-STOP, BLACK.....107
 BOOT, ROCKER JOYSTICK 75565.....109
 BOOT, BATTERY TERMINAL, RED.....37-38
 BOOT, CABLE TERMINAL, LG, RED, 2/0.....38
 BOOT, JOYSTICK.....109
 BOOT, PLUG 3 WAY.....23
 BOOT, TOGGLE SWITCH, SHORT*.....107
 BOX, EMPTY (122915).....45
 BOX, INSTRUCTION STORAGE.....103, 105
 BRACKET, CAC INTAKE TUBE MOUNT.....47
 BRACKET, FAN SHROUD, LH.....67
 BRACKET, SUPPORT, EXH. CUM T3.....47
 Bracket, Tank side.....143
 BRACKET, AIRLINE TO PLATFORM.....151
 BRACKET, BEACON, DRIVE LIGHTS, RH.....143
 BRACKET, BULKHEAD, PAINTED.....83
 BRACKET, CABLE TRACK, FIXED END*.....81, 89
 BRACKET, CABLE TRACK, MOVING END.....81, 89
 BRACKET, CAC 2 TUBING MOUNT.....47
 BRACKET, CNTL BOX MOUNTING.....43
 BRACKET, CONTACT CLAMP***.....45
 BRACKET, ENG. MOUNT, FRT. PERKINS.....73
 BRACKET, FAN SHROUD, RH, PAINTED.....63-64
 BRACKET, HOSE CLAMP.....97
 BRACKET, HYD. ROTATOR MOUNT MNT.....33
 BRACKET, INTAKE MOUNT, CUM.....49
 BRACKET, INTAKE TUBE SUPPORT.....49

BRACKET, PANEL MOUNT.....25
 BRACKET, PLATFORM HEATER OPTION.....161
 BRACKET, PRECLEANER MNT B3.3T.....167
 BRACKET, RADIATOR SUPPORT PNTD.....63-64
 BRACKET, RETURN FILTER.....43
 B R A C K E T , R U B B E R BUMPER, ENCOVER.....63-64
 BRACKET, STROBE.....143
 BRACKET, SWITCH ROD MOUNT, PNTD...15
 BRACKET, WORK LIGHT MOUNT 5/16".....153-154
 BRAKE DISC KIT, 75090.....35
 BRAKE KIT, RWD 1700TB.....21
 BRAKE, SWING DRIVE (111145).....35
 BREATHER PIPE, TD 2011L04I.....57-58
 BREATHER, RESERVOIR 3 MICRON***.....43
 BRUSH, BOTTOM, MAST #0.....165
 BRUSH, BOTTOM, MAST #1.....165
 BRUSH, BOTTOM, MAST #2.....165
 BRUSH, SIDE, MAST #0.....165
 BRUSH, SIDE, MAST #1.....165
 BRUSH, SIDE, MAST #2.....165
 BRUSH, TOP, MAST #0.....165
 BRUSH, TOP, MAST #1.....165
 BULB, WORKLIGHT, 12V 35W.....143
 BUMPER, PLASTIC, 1.25 O.D.....153-154, 157
 BUMPER, BATTERY BOX & RAILS...145, 153-154
 BUMPER, RUBBER***.....25, 147
 BUMPER, RUBBER, COVERS.....29, 37-38, 43, 47, 53, 63-64, 71
 BUSHING, FLANGE, .375X.5.....91
 BUSHING, FUEL TANK FITTING (LG).....41
 BUSHING, FUEL TANK FITTING (SM).....41
 BUTTON, PUSH, RED MUSHROOM HEAD.....45, 107

C

CABLE ASSEMBLY, EXTEND SET.....85-86
 CABLE ASSEMBLY, RETRACT SET.....85-86
 CABLE TIE, 4" BLK, HEAT RESISTNT.....103, 105
 CABLE TIE, 7 3/8".....67
 CABLE TIE, BLACK, 36".....149
 CABLE TIE, STUD MOUNT (PCON).....107
 CABLE TRACK, STEEL 50 LINKS.....89
 CABLE TRACK, STEEL 84 LINKS.....81
 CABLE TRACK, STEEL, 60 LINKS.....79
 CABLE, 12/3, WORKLIGHT, 12V.....153-154
 CABLE, BATTERY NEGATIVE.....37-38
 CABLE, BATTERY POSITIVE.....37-38
 CABLE, BATTERY POSITIVE 73".....37-38
 CABLE, GROUND, 79" W/PIGTAIL.....38, 43
 CAP, COOLANT RET SYS(60721).....37-38
 CAP, DIAGNOSTIC NIPPLE.....117-118, 131, 133-134, 137, 139, 141
 CAP, FUEL, DIESEL, 1/8" VENT (GRN).....41
 CAP, MANUAL DISENGAGE (89212).....21
 CAP, OIL FILLER, DEUTZ, DIESEL***.....57-58
 CAP, RADIATOR, PERKINS/FORD.....47, 63-64, 73
 CAP, VALVE COVER, OIL FILLER, PRK.....69
 CASTING, SAE 4 PUMP MOUNT, MACHI.....67
 CHANNEL, MOUNTING.....33

CHECK VALVE DISC.....123	CONN,RECEP 4 WAY,12-14GA.....67	CROSSBAR ALUM W/SELF TAP
CIRCUIT BREAKER, 25 AMP.....37-38	CONN,SQUEEZE,1/2NPT .38-.50,SM.....99,	SCREW.....81, 89
CIRCUIT BRKR 15A TYPE 2 METAL.....38, 47,	101, 103, 105	CUP HOLDER,PLASTIC.....103, 105
53, 63-64	CONN. SQZ,1/2NPT .56-.63.....25	CYLINDER HEAD CVR.DEUTZ BF4L20.....57-
CLAMP, 3 INCH.....57-58	CONN.MALE PIPE/ORFS-4.....33	58
CLAMP,0.50,#8 X 1/4,RUB CUSH.....43	CONN.SQZ,PG 11,.34-.47,W/ORING...29, 81,	CYLINDER, PLATFORM LEVEL.....95
CLAMP,0.56,#9 X 3/8,RUB CUSH.....71	91	CYLINDER, PRIMARY LIFT.....77
CLAMP,1.00,#16 X 7/16,RUB CUSH.....29, 43,	CONNECTOR, DEUTZ FUEL SHUTOFF*..57-	CYLINDER,AXLE EXTEND***.....15
81, 143	58	CYLINDER,JIB (STICK BOOMS).....95
CLAMP,1.25"DIA NON-CUSHIONED.....103,	CONNECTOR,BULKHEAD,FEMALE-4.....17,	CYLINDER,PLATFORM LEVELING.....93
105	23, 33, 43	CYLINDER,PRIMARY EXTEND.....85-86
CLAMP,1.25,#20 X 7/16,RUB CSH.....71	CONTACT,N.O.....45	CYLINDER,SECONDARY EXTEND.....79
CLAMP,1.25X.5 RUBBER-CUSHION.....103,	CONTACT,NC.....45, 107	CYLINDER,STEERING W/DECAL.....17
105, 157, 159	CONTROL BOX ASSY, PCON V3.00.....107	
CLAMP,2.25,#36 X 3/8,RUB CUSH.....89, 97	CONTROL BOX ASSY,DRIVECHASSIS.....23	
CLAMP,3.0,#48 X 1/4,RUB CUSH.....49, 67	CONTROL BOX ASSY,TCON V3.12.....45	
CLAMP,5.38,#86 X 3/8,RUB CUSH.....167	CONTROL BOX COVER,LID,PTD.....145	
CLAMP,BATTERY CABLE.....69, 73	COOLANT,RECOVERY BOTTLE, 4 QT.....37-	
CLAMP,CONST TRQ 2.25"-3.13"OD.....49	38	
CLAMP,CONST TRQ 2.75"-3.63"OD.....49	CORROSION INHIBITOR,FOAM.....107	
CLAMP,HOSE,1.25***.....163	Counterweight.....61	
CLAMP,HOSE,1.75.....73, 163	COUNTERWEIGHT,S120/125, 8300LB.....51	
CLAMP,HOSE,2.00***.....67, 73	COUPLER,15 TOOTH,FBA,CUM B3.3T.....49	
CLAMP,HOSE,2.50****.....73	COUPLER,15 TOOTH,FBA,SAE8***.....53, 67	
CLAMP,HOSE,3.00".....57-58, 163, 167	COUPLING,EXT.CABLE ADJUSTMENT*...85-	
CLAMP,HOSE,3.50.....53, 55, 67, 73, 163, 167	86	
CLAMP,HOSE,5.00.....167	COVER ASSY W/WORD DECALS SB.....25	
CLAMP,HOSE,6.50.....163	COVER ASSY,DRIVE CHASSIS S120.....23	
CLAMP,HOSE,8.50 DIA***.....163	COVER ASSY,DRIVE CHASSIS S120*.....23	
CLAMP,HOSE,SEC. EXTENSION CYL.....81	COVER ASSY.W/DECAL TURNBL.ROT.....25	
CLAMP,HOSE,SIZE .25 TO .63.....37-38, 41	COVER ASSY.W/DECALS,FUEL TANK.....27	
CLAMP,INTAKE EXTENSION,DEUTZ.....29	COVER MAST #1.....83, 165	
CLAMP,JIB HOSE/CABLE,S105,S125.....97	COVER MAST #2.....83, 165	
CLAMP,MUFFLER, 2.50 INCH.....47, 53, 63-	COVER MAST #3.....91, 165	
64, 71	COVER SUPPORT,WELDMENT.....25, 27	
CLAMP,MUFFLER,CUM B3.3T.....49	COVER W/SYM DEC TNK SD 120/125.....25	
CLAMP,MUFFLER,CUM B3.3T, 9"DIA.....49	COVER W/SYM DECALS ENG SIDE SB.....27	
CLAMP,TWO HOSE.....97	COVER W/WRD DECALS ENG SIDE SB.....27	
CLEVIS YOKE-1/4-28,PLTD W/PIN.....49, 53,	COVER, CONTROL BOX, SB SERV.....45	
71	COVER, ENGINE,DEUTZ F4L2011.....57-58	
CLIP,LCD,GRND.CONTROL.....45	COVER, FOOT SWITCH, LARGE.....103, 105	
COIL,12VDC #10DTSCH IP69 ECOIL.....113	COVER, JIB HOSES/CABLES.....97	
COIL,12VDC #8 DTSCH IP69 ECOIL.....113	COVER,50 LINK TRACK.....163	
COIL,62328/62330,SIZE 10,DIN.....117-118	COVER,84 LINK TRACK.....163	
COIL,62329,SIZE12,W/FRAME,DIN.....118	COVER,BLANK.....25, 99, 101	
COIL,DIN,REXROTH DO3 VALVE.....117-118	COVER,BOOM SIDE.....81	
COIL,PROPORTIONAL,62327,DIN.....117-118	COVER,BOOM SIDE, PAINTED.....83, 89, 91	
COIL,PROPORNL.62326,SIZE8,DIN.....117-	COVER,CENTER,SUPERBOOM.....31	
118	COVER,CONTROL BOX LEFT SIDE***.....145	
COIL,SOLENOID VALVE.....123	COVER,CONTROL BOX RIGHT SIDE**.....145	
COIL,SOLENOID,HYDAC MANIFOLDS.....121	COVER,DRIVE CHASSIS AXLE.....23	
COLD START PKG, 110V, DEUTZ.....149	COVER,DRIVE CHASSIS END**.....23	
COLD START PKG,110V,CUM.B3.3T.....149	COVER,FLYWHEEL CASTING.....49	
COLLAR,JOYSTICK,CENTER.....109	COVER,GFCI,HORIZONTAL,WEATHER.....99,	
COMPR.LINK,MACHINED,GND CONTR*.....95	101	
CONN,090136-12-8.....129, 131, 133-134	COVER,HOSE.....81	
CONN,520120-16.....133-134	COVER,HOSE TRAY.....81	
CONN,520120-20.....133-134	COVER,HOSE TRAY,84".....81	
CONN,520120-24.....134	COVER,PRI.EXT.CYLINDER COVER.....79	
CONN,520120-4***.....129, 131, 141	COVER,PROTECTIVE,JIB CYLINDER.....163	
CONN,520120-4-6***.....129, 131, 137, 139	COVER,PROTECTIVE,LIFT CYLINDER.....163	
CONN,520120-6-10.....141	COVER,PROTECTIVE,PLAT. LEVLING.....163	
CONN,520120-8***.....129, 131, 133-134, 141	COVER,PROTECTIVE,PLAT.LEVELING.....163	
CONN,520120-8-10.....134	COVER,PROTECTIVE,STEER CYL ***.....163	
CONN,520120-8-12.....129, 133-134	COVER,REAR MAST.....29	
CONN,BULKHEAD,520601-8.....129, 141	COVER,ROTATION GEAR.....33	
CONN,BULKHEAD,520801,-4.....129	COVER,SWING BEARING FRONT.....163	
CONN,BULKHEAD,520801,-8.....129	COVER,SWING BEARING REAR.....163	
CONN,LONG,520122-12***.....129	COVER,TURNTABLE COVER ACCESS.....25	

D

DECAL PLATE ASSY W/WORD
DECALS.....103, 105
DECAL PLATE W/SYMB DECALS S120...103,
105
DECAL,ARROW BLUE.....11, 13
DECAL,ARROW YELLOW LRG 9".....11, 13
DECAL,CAUTION,NO STEP.....11, 13
DECAL,COSMETIC,4X4.....11, 13
DECAL,COSMETIC,GENIE S-120.....11
DECAL,COSMETIC,GENIE S-125.....13
DECAL,COSMETIC,S-120.....11
DECAL,COSMETIC,S-125.....13
DECAL,DANGER,ELEC.HAZ.STAY CLR....11,
13
DECAL,DANGER,MAX LOAD 340 KG.....11
DECAL,DANGER,SIDE FRC 400N.....11, 13
DECAL,DANGER,TIPOVER,TILT,SYM.....11,
13
DECAL,DIESEL.....11, 13
DECAL,DRIVE ENABLE PATCH***.....11, 13
DECAL,FAULT CODES,SB/SY.....11, 13
DECAL,FIRE EXTINGUISHER.....11, 13
DECAL,GROUND CONTROL PANEL.....11, 13
DECAL,LABEL, ELECTRO HAZARD.....11, 13
DECAL,LABEL, WHEEL LOAD, S-120.....11
DECAL,LABEL,105 DB.....11, 13
DECAL,LABEL,AIRLINE 110 PSI.....11, 13
DECAL,LABEL,FALL HAZARD***.....11, 13
DECAL,LABEL,LOWER MIDRAIL.....11, 13
DECAL,LABEL,MAX CAPACITY***.....13
DECAL,LABEL,NO SMOKING,SYMB.....11, 13
DECAL,LABEL,OIL LEVEL IND.....11, 13
DECAL,LABEL,ROM CHART 120/125.....11, 13
DECAL,LABEL,TIP OVER LMT SWTCH.....11,
13
DECAL,LABEL,TIPOVER,TIRES,SYMB.....11,
13
DECAL,LABEL,TRANSPORT DIAGRAM.....11,
13
DECAL,LABEL,WELD LINE INST,SYM.....11,
13
DECAL,LABEL,WHEEL LOAD,S-125**.....13
DECAL,LANYARD ANCHORAGE POINT...11,
13
DECAL,OPTION CONTROL BOX
HEATR.....161
DECAL,PATCH,DRIVING LIGHT.....11, 13
DECAL,PLATFORM CONTROL PANEL**...11,
13
DECAL,PLATFORM OVERLOAD PATCH....11,
13
DECAL,POWER TO PLATFORM 115V.....11,
13

Part Description Index (continued)

- DECAL,POWER TO PLATFORM 230V.....11, 13
 DECAL,SYMBOL-BATTERY SAFETY.....11, 13
 DECAL,SYMBOL-COMP ACCESS.....11, 13
 DECAL,SYMBOL-READ THE MANUAL.....11, 13
 DECAL,TRIANGLE,BLUE.....11, 13
 DECAL,TRIANGLE,YELLOW.....11, 13
 DECAL,WARN,CRUSH HAZARD PLAT.....11, 13
 DECAL,WARNING,CRUSHING HAZARD...11, 13
D E C A L , W A R N I N G , P I P E
 CRADLE,BOOM.....157
 DECAL,WARN,INSTAL COVER,SYM.....11, 13
 DIAGNOSTIC FEMALE Q-DSCNT.....117-118, 131, 133-134, 137, 139, 141
 DIFFERENTIAL SENS VLV,8,150PSI.....123
 DIODE,6 AMP,200 PIV,BULK.....57-58
 DIPSTICK,OIL,PERKINS 1104C-44T.....71
 DIPSTICK-F3L1011F (DEUTZ).....57-58
 DISC KIT DRIVE TURNTABLE Z-60*.....35
 Drive Hub with Brake.....19
 Drive Pump.....53
- E**
- EDC ASSY,SAUER M46.....127
 ELBOW,45 DEG, CAC,2.5".....49
 ELBOW,45 DEG,INLET.....73
 ELBOW,45D,520320-12-16.....134
 ELBOW,45D,520320-16.....134
 ELBOW,45D,520320-4.....137, 139, 141
 ELBOW,45D,520320-6.....134
 ELBOW,45D,520320-8.....133-134, 141
 ELBOW,90D,1/8 NPT X #4 JIC.....17, 23
 ELBOW,90D,520220-16.....141
 ELBOW,90D,520220-4-4.....129, 134, 137, 139, 141
 ELBOW,90D,520220-4-6***.....131
 ELBOW,90D,520220-6.....134, 137, 139
 ELBOW,90D,520220-8-12.....133-134
 ELBOW,90D,BLKHD,ORFS-6-6 W/NUT.....134
 ELBOW,90D,BULKHEAD,520701-4.....137, 139
 ELBOW,90D,LONG,521520-4.....134, 137, 139
 ELBOW,90DEG.1/4MPT-3/8 BARB.....63-64
 ELBOW,90DEG.1/8MPT-5/16 BARB.....63-64
 ELBOW,AIR INTAKE,RUBBER.....55
 ELBOW,INLET,CUMMINS.....49, 67
 ELBOW,SWIVEL 90D, 520221-6.....141
 ELEMENT,OIL FILTER,PERKINS***.....67
 ENGINE KIT, CUMMINS B3.3T.....47
 ENGINE KIT, DEUTZ TD2011L04i.....57-58
 ENGINE MOUNT, LR.....67
 ENGINE MOUNT, LF.....67
 ENGINE MOUNT, RR.....63-64
 Engine Tray.....55
 ENGINE TRAY ASSEMBLY.....51, 61, 75
 ENGINE TRAY ASSEMBLY.....75
 ENGINE TRAY PIVOT ASSEMBLY.....75
 EXHAUST MANIFOLD, DEUTZ F4L201.....57-58
 EXHAUST PIPE GASKET.....55
 EXT.CABLE ADJ BOLT LOCK.....86
 EXTENSION CABLE.....85-86
 EXTRUSION,RUBBER BUMPER STRIP.....41
- F**
- FAN - VENTED.....29
 FAN DRIVE HOUSING.....69
 FAN SPACER,PERKINS,1.5".....69
 FAN, 19.0", BREEZA.....47
 FAN,PULLER,PERKINS,1004-42.....63-64, 69
 FEMALE BULKHEAD CONNECTOR-8.....151
 FILLER NECK/CAP ASSY. HYD TANK.....43
 FILTER ASSY,HIGH PRESS SAE-12*.....37-38
 FILTER ASY,M PRESS,SAE8,WOIND*.....37-38
 FILTER ELEMENT,10 MICRON,60508.....43
 FILTER HEAD (29560).....57-58
 FILTER,AIR CLEANER, SUPERBOOM.....53
 FILTER,ELEMENT,30 MIC,75020.....71
 FILTER,ELEMENT,BETA(5)=1000.....37-38
 FILTER,FUEL, PERKINS 1104C.....69
 FILTER,FUEL/WTR SEP, DTZ 1008.....57-58
 FILTER,OIL,DEUTZ F4L1011F.....57-58
 FILTER,OIL,DEUTZ,REPLACEMENT.....57-58
 FILTER,OIL,PERKINS 1104C-44.....69
 FILTER,RETURN,ASSY 10 MICRON.....43
 FITTING,6-6BLKHEADUNION 520601.....133-134
 FITTING,CONN,520120-12.....129, 133-134, 141
 FITTING,CONN,520120-6.....133-134, 141
 FITTING,ELBOW,45D,520320-12***.....129, 131, 133-134
 FITTING,ELBOW,90D,520220-12.....133-134
 FITTING,ELBOW,90D,520220-8***.....133-134
 FLASHTUBE,STRAIGHT,360DEG,BULB.....143
 FLASHTUBE,U SHAPED,360DEG,BULB...143
 FLAT WASHER M8, GB/T96, HV140 ZN.....38
 FLEX PIPE,EXHAUST,2.5" DIA.....55
 FLOORING, 8'FT PLATFORM.....103, 105
 FLYWHEEL HOUSING DEUTZ F4L2011.....57-58
 FLYWHEEL, COUPLER 15 TOOTH SAE.....69
 FOAM PAD.....159
 FOOT SWITCH W/PIGTAIL.....103, 105
 FORM,CABLE TRACK TUBE GUIDE,PT.....83
 FORMING, BATTERY CABLE GUIDE.....69, 73
 FORMING, BATTERY CABLE MOUNT.....69, 73
 FORMING, BELT GUARD.....63-64
 FORMING, COOLER SUPPORT PAINTE.....29
 FORMING, ENGINE BAFFLE.....67
 FORMING, FAN BAFFLE.....63-64
 FORMING, FILTER SUPPORT.....67
 FORMING, HEAT SHIELD, 1104D-44.....69
 FORMING, INTAKE DUCT.....67
 FORMING, INTAKE TUBE MNT.....67
 FORMING, SOLENOID MOUNT***.....53
 FORMING,8.5' MUFFLER MOUNT.....55, 63-64, 71
 FORMING,AIR CLEANER MOUNT PNTD.....53
 FORMING,BAFFLE BOX.....47
 FORMING,BATTERY CABLE,STARTER.....69
 FORMING,CABLE RETAINER.....86
 FORMING,CHARGE FILTER MOUNT.....71
 FORMING,CLAMP,SIDE PLATE HOSE.....143
 FORMING,COVER STOP.....29, 37-38, 43, 53, 63-64
 FORMING,COVER STOP***.....47
 FORMING,COVER STOP,SB.....71
 FORMING,CYLINDER RETAINER.....83, 85-86
 FORMING,DCON MOUNT,PAINTED.....23
 FORMING,ENGINE BAFFLE.....47
 FORMING,ENGINE MOUNT PAINTED.....53, 55
 FORMING,FUEL FILTER MOUNT.....47
 FORMING,FUSE COVER, PAINTED.....37-38
 FORMING,GAS STRUT MOUNT.....31
 FORMING,HEAT SHIELD,MUFFLER.....55
 FORMING,HOSE PROTECTOR,PAINTED...91
 FORMING,HOSE SUPPORT,SWING.....33
 FORMING,INNER AXLE COVER.....17
 FORMING,INNER COVER.....29
 FORMING,LATCH,CTRL BOX LID PTD.....145
 FORMING,LIMIT SWITCH GUARD.....91
 FORMING,LIMIT SWITCH LINK.....91
 FORMING,LIMIT SWITCH MOUNT.....77, 91
 FORMING,LOWER COVER.....79
 FORMING,LOWER COVER SUP,PAINT.....79
 FORMING,MOUNT,ENGINE,FRONT.....47
 FORMING,MOUNT,ENGINE,REAR.....47
 FORMING,MUFFLER MOUNT.....53
 FORMING,RADIATOR SUPPORT.....73
 FORMING,SECONDARY EXT.CYL CVR.....79
 FORMING,TUBE GUARD.....89
 FREEZE PLUG HEATER.....149
 FUEL CVR W/SYM DECAL S100/120.....27
 FUEL FILTER.....47
 FUEL FILTER W/SEP,DEUTZ,1008.....57-58
 FUEL LIFT PUMP/FILTER ASSY.....63-64
 FUEL LINE, DEUTZ F4L2011.....57-58
 FUEL LINE-INJECTOR, DEUTZ BF4L.....57-58
 FUEL RETURN,DAPCO 1/4".....41, 57-58
 FUEL RETURN,DAPCO 3/8".....41
 FUEL RETURN,DAPCO 5/16".....41
 Function Manifold.....43
 Function Pump.....53
 FUSE BLOCK, ANN & ANL FUSE.....37-38
 FUSE HOLDER,ATC 1-20 AMPS.....45, 107
 FUSE,10 AMP,ATC.....45
 FUSE,5 AMP,ATC.....107
- G**
- GAS STRUT,202 LBS FORCE.....25, 27
 GASKET, (226127).....67
 GASKET, BREATHER PIPE (226104).....57-58
 GASKET, PUMP / MOTOR (36179).....43
 GASKET,(111145).....35
 GASKET,COVER,GFCI,WEATHERPROOF.25, 99, 101
 GASKET,CYL.COVR. DEUTZ BF4L201.....57-58
 GASKET,EXHAUST.....57-58
 G A S K E T , G R O U N D
 CNTRLS.SUPERBOOM.....45
 G A S K E T , P L A T F .
 CNTRLS.SUPERBOOM.....107
 GASKET-PUMP WATE,PERK 804D-33T.....67
 GATE LATCH CASTING--DRILLED.....153-154
 GAUGE,HYDRAULIC TANK T/L VL.....43
 GAUGE,MED.PRESSUR FILTER,50530.....43
 GRND.CNTRLS ACCESS COVER.....25
 GROMMET,RUBBER .75 X .19 X 1**.....37-38, 41
 GROMMET,RUBBER .75 X .38 X1.13.....37-38
 GROMMET,RUBBER,1.0X0.094X1.375.....103, 105
 Ground Controls.....43
 G U A R D , F O O T S W I T C H , W / D E C A L
 ALUM.....103, 105
 GUARD,JIB HOSE,PAINTED.....93
 GUSSET,TOOL HOLDER,PLASTIC.....103, 105

H

HALF MESH,8'PLATFORM,LH.....157
 HALF MESH,8'PLATFORM,RH***.....157
 HANDLE,GRAB.....25, 27
 HARN,ENGINE T3,DEUTZ BF4L2011.....53
 HARNESS, BOOM/SAE UPPER S125.....107
 HARNESS, TCON J2 LS 2009.....45
 HARNESS, TCON J2 UPPER 2009.....91
 HARNESS, TCON J4 MANIFOLD 2009.....117-118
 HARNESS,CABLE BREAK S120/125.....85-86
 HARNESS,CUMMINS ENGINE T3.....47
 HARNESS,DCON,4WS.....23
 HARNESS,FLASH BEACON SUB ASSY.....143
 HARNESS,J2 PLAT MANFD W/JIB.....107
 HARNESS,PCON INTERNAL CONTROL...107
 HARNESS,PCON J2.....107
 HARNESS,PCON J2,(MANIFOLD).....107
 HARNESS,PERKINS 804D-33T.....63-64
 HARNESS,PLAT,WORKLIGHT,12V.....153-154
 HARNESS,PRESSURE TRANSDUCER...117-118, 131, 133-134, 137, 139, 141
 HARNESS,TCON J5 POWER.....45
 HARNESS,WORKLIGHT OPT.....153-154
 HINGE, .375X.120THK.,SLOTTED.....25, 31
 HINGE,PLAT CONTROL BOX COVER.....145
 HINGE,SWING CONTROL BOX.....25
 HOLD DOWN,BATTERY.....37-38
 HOLD DOWN,BATTERY,SMALL.....38
 HOOK,BATT HOLD DOWN,10".....37-38
 HORN,12VDC,SPADE TERMINALS***.....43
 HOSE AND CABLE CLAMP, STD.....81, 89
 HOSE AND CABLE CLAMP, STD, TOP.....81, 89
 HOSE ASSEMBLY.....141
 HOSE ASSEMBLY 3/4 HOSE #75.....133-134
 HOSE ASSEMBLY, 3/8.....133-134
 HOSE ASSEMBLY,1/4".....141
 HOSE ASSEMBLY,1/4" (#106).....141
 HOSE ASSEMBLY,3/4".....141
 HOSE ASSEMBLY,3/8.....141
 HOSE ASSEMBLY-1/4" (#89).....141
 HOSE ASSEMBLY-3/8".....134
 HOSE ASSY 1 1/2",90 FL FEMSTR*.....133-134
 HOSE ASSY 1/2" 45 FEM,STR FEM.....129
 HOSE ASSY 3/8,STR FEM,STR FEM.....134
 HOSE ASSY, 3/8.....134
 HOSE ASSY,1" HOSE #92.....133-134
 HOSE ASSY,1-1/4" HOSE #81.....133-134
 HOSE ASSY,1/2 STR FEM,45 DEG.....129
 HOSE ASSY,1/2" HOSE #77.....133-134
 HOSE ASSY,1/2" HOSE #83.....133-134
 HOSE ASSY,1/2" HOSE #90.....133-134
 HOSE ASSY,1/2,45 FEM STR FEM.....129
 HOSE ASSY,1/2,45 FEM,STR FEM.....129, 131
 HOSE ASSY,1/2,90 FEM,STR FEM.....129, 133-134
 HOSE ASSY,1/2,90 FEM,STR FEM**.....133-134
 HOSE ASSY,1/2,90 FEM,STR FEMEM.....133-134
 HOSE ASSY,1/2,90 FEM,STR FEMM.....141
 HOSE ASSY,1/2,STR FEM,STR FEM.....129, 141
 HOSE ASSY,1/4".....33
 HOSE ASSY,1/4" (#111/112,S125).....139
 HOSE ASSY,1/4,45 FEM,STR FEM.....129, 131, 141

HOSE ASSY,1/4,90 FEM,STR FEM.....129, 131, 137, 139
 HOSE ASSY,1/4,90 FEM,STR FEM**.....137
 HOSE ASSY,1/4,STR FEM,STR.....17, 23
 HOSE ASSY,1/4,STR FEM,STR FEM.....131, 137, 139
 HOSE ASSY,3/4,45 FEM,STR FEM.....133-134
 HOSE ASSY,3/4,90 FEM,STR FEM.....129
 HOSE ASSY,3/4,90 FEM,STR FEM**.....133-134
 HOSE ASSY,3/8" 90 FEM,STR FEM.....133-134
 HOSE ASSY,3/8,45 FEM,STR FEM.....134
 HOSE ASSY,.3/4",90°FEM,STR FEM.....133-134
 HOSE CLAMP,WEAR PAD.....81
 HOSE END,BARB,1/4 MNPTX5/16,90.....63-64
 HOSE GUIDE, JIB.....97
 HOSE INLET.....49
 HOSE, AIR INTAKE, 804T.....67
 HOSE, CRANKCASE BREATHER.....63-64
 HOSE,1/2,LOW PRESSURE,801-8.....151
 HOSE,1/4 FUEL LINE,SAE 30R7.....47
 HOSE,3/8",FUEL,30R7.....37-38, 41
 HOSE,CAC,2.5"ID X 4.0".....49
 HOSE,FUEL,3/16,SAE 30R7.....41
 HOSE,LOWER RADIATOR,CUMMINS.....49
 HOSE,RADIATOR,LOWER,PERKINS.....67
 HOSE,RADIATOR,UPPER,PERKINS.....67
 HOSE,RUBBER 3"ID X .25 BLACK.....55, 73, 167
 HOSE,UPPER RADIATOR,CUMMINS.....49
 HOSE,WEAR PAD.....81
 HOUSING,WORKLIGHT***.....143
 HYDRAULIC TWIN CLAMP.....133-134
 HYRAULIC TUBE,BOOM CROSSOVER...133-134

I

INJECTOR, FUEL(DEUTZ F3L2011F).....57-58
 INLET REDUCER, TD 2011L04I.....57-58
 INTAKE BAFFLE,PAINTED.....51, 75
 ISOLATOR, ENGINE VIBRATION.....73
 ISOLATOR,CENTER BONDED.....47, 73
 ISOLATOR,ENGINE VIBRATION.....47, 55, 63-64, 67
 ISOLATOR,FLEX-BOLT SANDWICH***.....73
 ISOLATOR,VIBRATION,M8 MALE/FEM.....63-64

J

JIB Boom.....95
 JIB BOOM ASSY W/WORD DECAL.....97
 JOYSTICK,1 AXIS ROCKER,DEUTSCH...107, 109
 JOYSTICK,1 AXIS,DEUTSCH.....107, 109
 JOYSTICK,2 AXIS,DEUTSCH.....107, 109
 JOYSTICK,DUAL AXIS W/KNOB.....109
 JOYSTICK,SINGLE AXIS W/KNOB.....109
 JOYSTICK,SINGLE AXIS W/STEER.....109

K

KEEPER,LATCH (45363).....25, 27, 43
 KEYSWITCH,3 POS.MOM.DR.W/KEY**.....45
 KEYSWITCH,3POS.MNTND.DR.WKEY**.....45
 KEYSWITCH,CONTACTS LOCK.....45
 KIT CB 15A T2 RPM SOLENOID 3W.....63-64
 KIT, BATT SEPARATOR, ANSI/CSA.....37-38

KIT, BATT SEPARATOR, AS.....37-38
 KIT, BATT SEPARATOR, CE.....37-38
 KIT, HEAT GUARD, DEUTZ STARTER.....57-58
 KIT,2 LINK REPAIR W/HARDWARE.....81, 89
 KIT,ESTOP SVC LARGE BOOM.....45, 107
 KIT,EXT/RET CABLE REPLMNT,SB.....85-86
 KIT,FIELD INSTALL,SWING GATE.....153-154
 KIT,FLANGE CODE 61 -20.....133-134
 KIT,KEYSWITCH SVC S100/120.....45
 KIT,OP SWITCH,DEUTZ.....53
 KIT,PANEL CRADEL BRACKET,WORD.....159
 KIT,PANEL CRADLE BRACKET,SYMBL.....159
 KIT,PANEL CRADLE,CE.....159
 KIT,PCB,ASSY,ECM,SB TCON V3.12.....45
 KIT,RECOVERY SVC LARGE BOOMS.....45
 KIT,SEALS & WEAR PLATE, PUMP.....127
 KIT,SERVICE,CLAMP MOUNTS.....81, 89
 KIT,SERVICE,SOLENOID MODULE.....67
 KIT,SWING GATE W/SPRING.....153-154
 KNOB,JOYSTICK, 62390/62391.....109
 KNOB,ROCKER JOYSTICK 75565.....109

L

LANYARD,BEAD CHAIN, TCON.....107
 LATCH,FLEXIBLE.....43, 71
 LATCH,PANEL.....25
 LATCH,PLATE,CONTROL BOX COVER.....25
 LATCH,SLIDE, FLUSH MOUNT STYLE.....145
 LENS,AMBER,STROBE,FIREBOLT.....143
 LENS,LCD,GRND.CONTROL.....45
 LEVER,GVERNOR ACTUATOR,PTD***.....53
 LID ASSY,CONTROL BOX COVER PLT.....145
 Limit Switch Cover.....81
 LIMIT SWITCH, OPERATION,LSB2RO.....81
 LIMIT SWITCH, SAFETY,NO WIRE.....15, 91
 LIMIT SWITCH,OPERATION,NO WIRE.....91
 LIMIT SWITCH,OPERATIONAL.....33, 77, 91
 LIMIT SWITCH,SAFETY.....15, 29, 77, 81, 85-86, 91
 LOAD SUPPORT W/BEARINGS.....147
 LOCK,RECEP 4 WAY,12-14GA.....67
 LOCKNUT,ELEC,1/2".....25

M

MACHINING, JIB BOOM WELDMENT**.....97
 MACHINING,INNER AXLE.....15, 17
 MALE PIPE THD,1/4" SER,3/8"X18.....151
 MANIFOLD PLATFORM W/JIB.....123
 MANIFOLD, RETURN BLOCK.....71
 MANIFOLD,4 WHEEL STEER.....113, 115
 MANIFOLD,FUNCTION,S120/125.....117-118
 MANIFOLD,ROTATOR,CB***.....125
 MANIFOLD,TRACTION,4WD.....111
 MANIFOLD,TURNTABLE ROTATION.....35
 MANUAL BOX W/DECALS***.....103, 105
 MESH,HALF,SWING GATE***.....157
 MICROSWITCH,13482 FOOTSWITCH.....103, 105
 MIDRAIL GUIDE (HOOK).....103, 105
 MOTOR, 60511, APU, 12VDC.....43
 MOTOR,PISTON,2 SPEED,45CC.....19
 MOTOR,SWING DRIVE (111145).....35
 MOUNT, PERKINS 1104 RH***.....73
 MOUNT,1"FLEX-BOLT SANDWICH.....47, 49
 MOUNT,CABLE TRACK CLAMP.....91
 MOUNT,PANEL BACKING.....25
 MOUNT,PANEL,PAINTED.....25

Part Description Index (continued)

MOUNT,PERKINS 1104 LF***.....73
 MOUNT,SWITCH.....147
 MOUNTING BAND,AIR CLEANER.....53, 67,
 73
 MPT,CPLR,1/4"SER,3/8"X18.....151
 MUFFLER,2.5"INLET/OUTLET.....49, 55, 63-
 64, 71
 MUFFLER,2.5"INLET/OUTLET,9"DIA.....49
 MUFFLER,CATALYTIC,2.5 I/O.....71

N

NIPPLE,1/8 NPT X 3.0 FFS-S.....17
 NIPPLE,DIAGNOSTIC,#4 PORT***.....117-118,
 131, 134, 137, 139, 141
 NIPPLE,DIAGNOSTIC,ORFS,FM,SWIV.....117-
 118, 133-134
 NIPPLE,PIPE,LONG 1/8 X 1.5.....23
 NUT - PLASTIC,RING FOR ALARMS...45, 107
 NUT,COIL,DOMED,SIZE 12, 62329.....118
 NUT,COIL,PROPORTNL.VALVE.....117-118
 NUT,FAN BLADE,PERKINS 1004-42.....69
 NUT,FLANGE,NYLOCK,M10,G10,Z.....69, 71,
 73
 NUT,HEX,1/4-28.....53
 NUT,HEX,3/8-24.....41
 NUT,HEX,6/32 W/STAR WASHER.....107
 NUT,HEX,JAM,3/4-10.....33
 NUT,HEX,JAM,5/8-11.....85-86
 NUT,HEX,M8 X 1.25.....63-64
 NUT,LP NYLOCK,1/2-13.....85-86
 NUT,LP NYLOCK,1/4-20.....31, 145, 153-154,
 157, 159
 NUT,LP NYLOCK,3/8-16.....29, 47, 49, 81, 89,
 91, 143, 159
 NUT,LP NYLOCK,5/16-18.....25, 27, 29, 31
 NUT,LP NYLOCK,5/8-11.....85-86
 NUT,LUG,3/4-16 X 7/8 RADIUS.....19
 NUT,NYLOCK,1-8.....99, 101
 NUT,NYLOCK,1/2-13.....23, 29, 31, 33, 79, 83,
 85-86
 NUT,NYLOCK,1/4-20.....25, 27, 29, 37-38, 43,
 49, 53, 67, 91, 97, 99, 101, 103, 105, 147, 157,
 163, 167, 169
 NUT,NYLOCK,10-24.....53, 71
 NUT,NYLOCK,10-32.....15, 25, 27, 33, 43, 77,
 81, 91, 103, 105, 143
 NUT,NYLOCK,3/8-16.....17, 25, 33, 37-38, 41,
 43, 47, 49, 53, 55, 63-64, 71, 77, 79, 81, 85-
 86, 89, 91, 93, 95, 97, 99, 101, 103, 105, 143,
 147, 151, 157, 169
 NUT,NYLOCK,5/16-18.....23, 29, 37-38, 43,
 47, 81
 NUT,NYLOCK,5/8-11.....47, 55, 63-64, 67
 NUT,NYLOCK,6-32.....45
 NUT,PROPORTNL. COIL,52372,GS68.....117-
 118
 NUT,SOLENOID VALVE,HYDAC.....121
 NUT,TL FLG,1/2-13,G,ZAG.....71
 NUT,TL FLG,10-32,F,ZAG.....71
 NUT,TL FLG,3/8-16,G,ZAG.....73
 NUT,TL FLG,M6-1.0,DIN6927,10,Z.....71, 73
 NUT,TL,FLG,M16-2.0,DIN6927,10,ZAB.....73
 NUT,TL,FLG,M8-1.25,DIN6927,10.....71
 NUT,TOP LOCK,1/2-13.....55, 63-64
 NUT,WING,1/4-20.....37-38
 NUT-COIL SHORT.....113, 117-118, 123
 NUT-COIL,REXROTH DO3 VALVE.....117-118

O

O-RING KIT (ORFS FITTINGS).....125, 129,
 131, 133-134, 141
 O-RING, FUEL LIFT PUMP.....57-58
 O-RING, M16, ISO.....63-64
 O-RING, ROTATOR MANIFOLD.....125
 O-RING,2-044 BUNA***.....127
 O-RING,2-157,VITON***.....19
 O-RING,COIL NUT, HYDAC.....121
 O-RING,FILTER ASSY (60334)***.....37-38
 O-RING,FUEL INJEC PUMP DUTZ.....57-58
 OIL COOLER W/FAN, 12VDC.....29
 OIL FILTER.....47
 OIL PAN HEATER,DEUTZ,120V,150W.....149
 OIL PAN,DEUTZ F4L2011.....57-58
 OIL SEAL,(111145).....35
 OPT,HOSE AND CABLE CLAMP.....81, 89
 OPT,PRECLEANER CUMMINS B3.3T.....167
 OPT,TOEBOARD,8'TRI ENTRY,EURO.....153-
 154
 OPTION,DRIVING LIGHTS,SB.....143
 OPTION,GLAZIER PACKAGE,ANSI.....159
 OPTION,PLAT SUPPORT,STD,LRG BM.....101
 OPTION,PLATFORM CONTROL COVER...145
 OPTION,PRECLEANER DEUTZ***.....167
 ORIFICE PLUG,0.040.....118
 ORIFICE PLUG,.03,PLATF,HYDAC.....121
 ORIFICE,PLUG 0.030.....111
 OUTLET,110V GFCI***.....99, 101

P

PAD,REST,1"THICK,FLANGED.....159
 PAD,REST,2"THICK,W/STUDS*.....103
 PCB Assembly, PCON.....161
 PCB,ASSY,ECM,PLATFORM,VER 3.00.....107
 PCB,MEMBRANE/LED,SB/Z80.....107
 PCB,ASSY,LCD,GROUND,SUPERBOOM.....45
 PIN,.75DIA X 2.89LG,1HOLE.....85-86
 PIN,0.75DIA X 5.75LG,CHAMFER.....147
 PIN,1.25DIA X 14.45LG,2HOLE.....95
 PIN,1.25DIA X 15.63LG,CHAMFER.....51, 61, 75
 PIN,1.25DIA X 5.25LG,1HOLE.....93, 95
 PIN,1.25DIA X 6.50LG,1HOLE.....93
 PIN,1.25DIA X 7.00LG,1HOLE.....95
 PIN,1.25DIA X 7.88LG,1HOLE.....95
 PIN,1.25DIA X 7.9LG,2RING.....93, 95
 PIN,1.25DIA X 9.50LG,1HOLE.....93, 95
 PIN,1.50DIA X 12.25LG,1HOLE.....79
 PIN,1.50DIA X 2.75LG,THREADED.....79
 PIN,1.50DIA X 2.92LG,2RING.....85-86
 PIN,1.50DIA X 4.13LG,THREADED.....17
 PIN,1.50DIA X 5.88LG,1HOLE.....85-86
 PIN,2.50DIA X 11.00LG,1HOLE.....77
 PIN,2.50DIA X 19.875LG,THREADED.....77
 PIN,AXLE KING.....17
 PIN,AXLE STOP.....15
 PIN,CLEVIS, 1.50 X 4.465LONG.....15
 PIN,CLEVIS,.844X 2.25 RET.CABLE.....85-86
 PIN,CLEVIS,1.18X 3.18 EXT.CABLE.....85-86
 PIN,COTTER,.125 X 1.5.....31
 PIN,COTTER,.188 X 1.75 LONG.....85-86
 PIN,COTTER,.188 X 2.00 LONG.....15
 PIN,COTTER,.188X 2.25 RET.CABLE.....85-86
 PIN,COTTER,.25 X 3.18 EXT.CABLE.....85-86
 PIN,DISENGAGE CAP, 89212.....21
 PIN,EXTENSION CYLINDER MOUNT.....85-
 86, 89
 PIN,LOCK,SHORT***.....153-154

PIN,PRI.BOOM PIVOT. 2.50X25.50.....77
 PIN,RETRACTION CABLE.....85-86
 PIN,ROLL,.25 X 1.5.....85-86
 PIN,TRANSPORT STORAGE HANDLE.....33
 PIN,TRANSPORT STORAGE LOCK.....33
 PINCH GUARD RAIL,6' PLATFORM.....153-
 154
 PINCH GUARD RAIL,8' PLATFORM**.....153-
 154
 PIPE CRADLE ASSY. SERV (ONE)**.....157
 PLAT ASSEMBLY,8FT,ASIA/S AM.....105
 PLAT ASSY, 8FT, A/SA, S120.....99
 PLAT ASSY, 8FT, A/SA, S125.....101
 PLAT ASSY, 8FT, AUST, S120.....99
 PLAT ASSY, 8FT, AUST, S125.....101
 PLAT ASSY, 8FT, CE/UK, S120.....99
 PLAT ASSY, 8FT, CE/UK, S125.....101
 PLAT RAIL ASSY,8FT,AUSTRALIA.....105
 PLAT RAILW/DECALS 8FT 500 ANSI.....105
 PLAT RAILW/DECALS 8FT 750 ANSI.....103
 PLAT RAILW/DECALS 8FT 750 AUST.....103
 PLAT RAILW/DECALS 8FT 750 EURO.....103
 PLAT RAILW/DECALS 8FT 750A/SOA.....103
 PLAT. ASSY, 8FT,SERV,S120.....99
 PLAT. ASSY, 8FT,SERV,S125.....101
 PLATE, FUEL TRAY BULKHEAD, PTD.....41
 PLATE, LIMIT SWITCH MOUNT.....77
 PLATE, PIN RETAINER.....77
 PLATE, SOLENOID MOUNT.....67
 PLATE,ANGLE LIMIT SWITCH,MACH.....29
 PLATE,AXLE PIN RETAINER.....15, 103, 105
 PLATE,AXLE WEAR STEEL.....17, 23
 PLATE,BACKING.....99, 101
 PLATE,COVER LATCH BACKING.....25, 27
 P L A T E , D O C U M E N T B O X
 MOUNT,PAINT.....103, 105
 PLATE,EXT.CABLE ,PAINTED.....86, 89
 PLATE,EXT.CABLE ANCHOR.....85-86
 PLATE,EXT.CABLE ATTACH.MACHINE.....86
 PLATE,EXT.CABLE EQUALIZER MACH.....85-
 86
 PLATE,KING PIN RETAINER.....17
 PLATE,PUMP MOUNT.....69
 PLATE,PUMP STRUT.....71
 PLATE,RADIATOR,STRUT.....73
 PLATE,RETRACT CABLE EQUALIZER.....85-
 86
 PLATE,SWING CHASSIS BULKHEAD.....43
 PLATE,TAP BLOCK HINGE MNT PTD.....25
 P L A T E , T O G G L E S W I T C H
 MOUNT,PCON.....107
 PLATE,WEAR PAD RETENTION.....23
 Platform Controls.....103, 105
 PLATFORM RAIL ASSY,8FT,CE/UK.....105
 Platform Rotate Manifold.....93, 95
 P L A T F O R M S U P P O R T
 WELDMNT-SERV*.....99
 PLATFORM,LEVELING LEVER,ASSY.....93
 PLATFORM,LEVELING LINK ASSY.....93
 PLUG AND CAP KIT-SERVICE,ORFS*.....125,
 129, 131, 133-134, 141
 PLUG, SANTOPRENE .5 BLACK DOME.....107
 PLUG,CAVITY,T-11A,1-2 OPEN.....117-118
 PLUG,DRAIN,RR TRANS.DRIVE HUBS.....21
 PLUG,ELECTRICAL,DOMESTIC.....25
 PLUG,ENGINE OIL,DEUTZ F4L2011.....57-58
 PLUG,ENGINE OIL,PERKIN 1004-42.....69
 PLUG,HEX,130109E,1/2 NPT***.....43
 PLUG,NYLON .875 BLACK DOMED.....25, 91

PLUG,NYLON 1.38 BLACK DOMED.....25
 PLUG,PIPE HEXHEAD 130109E-1/8.....33
 PLUG,SEAL,12-18 GA.....67
 PRECLEANER,AIR INTAKE.....167
 PRECLEANER,INLINE 3".....167
 PRO.DIR.CTRL,VLV,5WY,3POS.....123
 PULLEY,FAN,PERKINS 1004-42.....69
 PUMP, DRIVE, AND FUNCTION,.....69
 PUMP,(102710 APU).....43
 PUMP,2 SEC,29CC X 19CC,FE.....127
 PUMP,AUXILIARY,DUAL,12V.....43
 PUMP,FUEL 2011 DEUTZ ***.....57-58
 PUMP,FUEL INJ, DEUTZ BF4L20.....57-58
 PUMP,FUEL INJ,DEUTZ BF4L20.....57-58
 PUMP,PISTON,46CC,B MOUNT,13T.....127
 PUMP,WATER,PERKINS 804D-33T.....67

R

RADIATOR.....73
 RADIATOR HOSE,LOWER-PERKINS.....73
 RADIATOR HOSE,UPPER-PERKINS.....73
 RADIATOR STRUT,LEFT.....49
 RADIATOR STRUT,RIGHT.....47
 RADIATOR,FORD/PERKINS***.....63-64
 RAILING CATCH CASTING--DRILLED.....153-154
 REDUCER, RUBBER, 2.5 TO 2.25.....73
 REDUCER,45 DEG, 3.75"-3.00".....49
 REDUCER,520123-20-12.....141
 REDUCER,90 DEG,CAC, 3.0"-2.5".....49
 REDUCER,90DEG,4.0 X 3.0.....167
 REDUCER,RUBBER 3.0 - 2.5.....73
 REDUCER,RUBBER,4.0 X 3.0.....49, 167
 REGULATOR,PRESS-COMP 0.30 GPM.....123
 RELAY MODULE(89996,89998).....37-38
 RELAY,12VDC,70AMP,SEALED.....37-38
 RELAY,SEALED 30/40 AMP.....37-38, 43
 RELAY,SPDT,12V(AUTO) PLUG IN*.....45, 107
 REPAIR LINK END SET(122795).....79
 REPAIR LINK SET(122795)4 LINK.....79
 REPAIR LINK W/ ROLLER.....81, 89
 REPAIR LINK W/HARDWARE.....89
 RESISTOR,10 OHM,25 WATT.....161
 RETAINER,MAST COVER.....83
 RETAINER,SPRING,1.21 X .375.....147
 RETAINER,SPRING,1.46 X .375.....147
 RIVET,ALUM,ALUM,3/16BUTTONHEAD....145
 RIVET,STEEL,P .25 X .375.....153-154
 RIVET,STL,ST.MAN,P,125 X .25.....161
 ROCKER ASSY.,MAGNETIC 75565.....109
 ROCKER,RETAINER, 75565.....109
 ROD END,.250 X 2.75 LG.....85-86, 147
 ROD END,.375 X 3.69...17, 51, 61, 75, 85-86, 93, 95
 ROD END,.50 X 4.....77, 79
 ROD END,.75 X 5.00.....77
 ROD END,RETRACTION CABLE.....85-86
 ROD,SWITCH ACTIVATING.....15
 ROLLER,ARM,LIMIT SWITCH,ZCY500.....29, 81, 91
 ROTATOR MOUNT KIT.....147
 ROTATOR,NON-JIB,160 DEG.....93
 ROTATOR,PLAT JIB,160 DEG***.....95
 RUBBER SLEEVES, TD 2011L04I.....57-58

S

S-120 CS DECALS.....11

S-125 CS DECALS.....13
 S105/125 PLAT MNFD SRV KIT.....121
 SB BOOM #3 ASSY SYMBOL UNITS.....89
 SB BOOM #3 ASSY W/WORD DECALS.....89
 SCREW, HHF, M10-1.5X30,DIN6921.....73
 SCREW, HHF, M10-1.5X35,DIN6921.....69, 71, 73
 SCREW, M8x16, GB5783 GRADE 8.8.....37-38
 SCREW, PHM, #6-32 X .625 ZINC.....109
 SCREW, PHPM, 10-32 X 1.0, ZAG.....71
 SCREW,6-32 X 7/8 PPMS ZINC.....25, 99, 101
 SCREW,BHHS,1/4-20 X .75.....79, 83, 165
 SCREW,BHHS,3/8-16 X 1.25.....83
 SCREW,BHSC,1/4-20 X 1.....153-154
 SCREW,BLEEDER,M5X0.8.....95, 125
 SCREW,FHM,10-32 X 1.....25
 SCREW,FHS,1/4-20 X .75.....15
 SCREW,HEX HD FLANGE 1/4-20X1/2.....15
 SCREW,HHC,1-8 X 11,GRD 5***.....99, 101
 SCREW,HHC,1-8 X 9.5,GD2,YEL.....51
 SCREW,HHC,1/2-13 X 1, GR 5.....43
 SCREW,HHC,1/2-13 X 1.25 GR5.....15, 23
 SCREW,HHC,1/2-13 X 1.5.....23, 77
 SCREW,HHC,1/2-13 X 1.5 GRD 8.....49
 SCREW,HHC,1/2-13 X 1.75.....17, 23
 SCREW,HHC,1/2-13 X 2 GR5.....23, 33
 SCREW,HHC,1/2-13 X 2.75.....17, 29, 31, 85-86
 SCREW,HHC,1/2-13 X 5.25.....85-86
 SCREW,HHC,1/2-13 X 6.5.....83
 SCREW,HHC,1/2-13 X 7.5.....79
 SCREW,HHC,1/2-13 X .75.....33, 79, 163
 SCREW,HHC,1/4-20 X .5.....21, 31, 45, 107, 145
 SCREW,HHC,1/4-20 X .625.....19, 37-38, 43, 83, 91, 103, 105, 159
 SCREW,HHC,1/4-20 X .75.....17, 31, 37-38, 43, 49, 63-64, 67, 79, 81, 83, 85-86, 93, 95, 97, 99, 101, 103, 105, 153-154, 157, 163, 165, 167
 SCREW,HHC,1/4-20 X 1.....23, 25, 27, 29, 31, 41, 43, 49, 53, 79, 91, 103, 105, 145, 147, 167, 169
 SCREW,HHC,1/4-20 X 1.25.....25, 27, 97
 SCREW,HHC,1/4-20 X 1.5.....93, 95, 153-154
 SCREW,HHC,1/4-20 X 2.5.....157
 SCREW,HHC,1/4-20 X 3.75.....83
 SCREW,HHC,1/4-20 X 4.....31
 SCREW,HHC,3/4-10 X 3 GRD.8.....33, 77
 SCREW,HHC,3/4-10 X 4 FULL THRD.....33
 SCREW,HHC,3/4-10 X 7 FULL THRD.....89
 SCREW,HHC,3/4-10X6,GR5,FULL TH.....86
 SCREW,HHC,3/8-16 X .625.....91
 SCREW,HHC,3/8-16 X .75.....19, 31, 37-38, 47, 49, 79, 81, 83, 89, 91, 97, 143
 SCREW,HHC,3/8-16 X .88,GRD 8.....99, 101
 SCREW,HHC,3/8-16 X 1.....25, 29, 37-38, 43, 51, 55, 61, 75, 79, 81, 83, 85-86, 89, 91
 SCREW,HHC,3/8-16 X 1.25 GRD 5.....17, 23, 29, 37-38, 41, 43, 47, 51, 53, 61, 63-64, 71, 75, 77, 83, 85-86, 89, 91, 93, 95, 99, 101
 SCREW,HHC,3/8-16 X 1.50,GR5.....29, 47, 51, 53, 61, 63-64, 75, 77, 93, 95, 103, 105
 SCREW,HHC,3/8-16 X 1.75,GRD.8.....33, 95
 SCREW,HHC,3/8-16 X 2.....77, 81, 85-86, 95, 97
 SCREW,HHC,3/8-16 X 2.25.....83, 93
 SCREW,HHC,3/8-16 X 2.5.....83, 143, 169

SCREW,HHC,3/8-16 X 2.75.....17, 29, 81, 83, 89
 SCREW,HHC,3/8-16 X 3.....17
 SCREW,HHC,3/8-16 X 3.25.....147
 SCREW,HHC,3/8-16 X 3.5,GR5.....143
 SCREW,HHC,3/8-16 X 4.....89
 SCREW,HHC,3/8-16 X 4.5.....89
 SCREW,HHC,3/8-16 X 6.....91
 SCREW,HHC,5/16-18 X .75.....23, 29, 33, 43, 153-154
 SCREW,HHC,5/16-18 X 1 GR5.....37-38, 47
 SCREW,HHC,5/16-18 X 1.25.....47
 SCREW,HHC,5/8-11 X 1.75 GRD.8.....47
 SCREW,HHC,5/8-11 X 2.5.....51, 61, 75
 SCREW,HHC,5/8-11 X 3 GRD.8.....47
 SCREW,HHC,5/8-11 X 3.5 GRD.8.....55, 63-64, 67
 SCREW,HHC,M10 X 1.5 X70,GR 8.8.....53
 SCREW,HHC,M10 X 25MM,GR 8.8.....47, 49, 67, 167
 SCREW,HHC,M10 X 65MM,GR8.8.....49
 SCREW,HHC,M12 X 35MM.....47, 63-64, 67
 SCREW,HHC,M12 X 45.....67
 SCREW,HHC,M14 X 40MM,GR 8.8.....53, 55
 SCREW,HHC,M6 X 20MM,GR8.8.....53
 SCREW,HHC,M6-1.0X80,DIN931,10.9,ZAB.71
 SCREW,HHC,M8 X 1.25 X 25.....67
 SCREW,HHC,M8 X 10MM.....63-64, 67
 SCREW,HHC,M8 X 16.....67
 SCREW,HHC,M8 X 20MM.....63-64, 67
 SCREW,HHF,1/2-13X1.5,8,ZAG.....69, 71
 SCREW,HHF,3/8-16X1.75,8,ZAG.....73
 SCREW,HHF,M10-1.5X25,DIN6921,1.....69, 71
 SCREW,HHF,M12 X 1.75 X 25.....71
 SCREW,HHF,M12-1.75X35,DIN6921,.....73
 SCREW,HHF,M16-2.0X45,DIN6921,10.9,ZAB.73
 SCREW,HHF,M16-2.0X90,DIN6921,10.9,ZAB.73
 SCREW,HHF,M6 X 50,G10,YZ.....69, 73
 SCREW,HHF,M6X20,DIN6921,10.9,Y.....71, 73
 SCREW,HHF,M8-1.25X25,DIN6921,1.....71
 SCREW,LOCKING FLANGE 6/32X.375.....107
 SCREW,M8X1.5X20MM GR8.8(89212).....21
 SCREW,PERKINS 1004-42.....69
 SCREW,PHIL,10-24 X .75.....103, 105
 SCREW,PHIL,PHM,6-32 X 1/4 SS.....45, 161
 SCREW,PHILLIPS,FHM,10-32X1.00.....91, 143
 SCREW,PHILLIPS,PHM,10-32 X .5.....15, 17
 SCREW,PHILLIPS,PHM,10-32 X .75.....37-38, 77, 103, 105
 SCREW,PHILLIPS,PHM,10-32 X 1.....43
 SCREW,PHILLIPS,PHM,10-32 X 2.0.....81
 SCREW,PHILLIPS,PHM,10-32 X1.25...15, 19, 85-86, 147
 SCREW,PHILLIPS,PHM,10-32X 1.75.....33
 SCREW,PHILLIPS,PHM,8-32 X .875.....37-38
 SCREW,PHILLIPS,RHM,10-32 X 1.5.....29, 77, 81, 147
 SCREW,PHM, 4-20 X .25 SELF TAP.....107
 SCREW,PHM,M5X.8X10MM SELF TAP.....107
 SCREW,PHM,10-32 X .5.....25
 SCREW,RHM,10-32 X .75.....25, 27
 SCREW,RHM,10-32 X 1.....25
 SCREW,RHM,10-32 X 1.5.....91
 SCREW,SHC,1/2-13 X 1.50,A574.....19, 33, 35
 SCREW,SHC,10-24 X 1.250(D01).....117-118
 SCREW,SHC,3/8-16 X 4 GR 5.....79
 SCREW,SHC,3/8-24 X .75,BO.....69
 SCREW,SHC,5/16-18 X 2,PLATED.....35
 SCREW,SHC,5/8-11 X 3.00,A574.....33

Part Description Index (continued)

- SCREW,SHC,5/8-11 X 3.75,A574.....33
 SCREW,SHC,7/16-14 X .75,61342.....33
 SCREW,SHC,M10X1.5X20MM (75090).....53, 67
 SCREW,SHC,M10X1.5X30 GR 12.9.....49
 SCREW,SHC,M16 X 50MM,BLACK.....19
 SCREW,SHC,M8 X 1.25 X 16 MM.....63-64
 SCREW,SHS,1/2-13 X 1.50.....85-86
 SCREW,SHS,1/4-20 X .25 ZINC.....45
 SCREW,SHS,10-24 X .625.....53, 71
 SCREW,SHS,3/4-10 X 1.5.....33
 SCREW,STEP BOLT,1/4-20 X .75.....103, 105
 SEAL KIT (39345).....15, 93, 95, 125
 SEAL KIT (89534).....95
 SEAL KIT CYL***.....17
 SEAL KIT CYL.S100/120 (50078).....77
 SEAL KIT CYL.S100/120 (50099).....79
 SEAL KIT CYL.S100/120 (50100).....85-86
 SEAL KIT, 37185 PUMP.....43
 SEAL KIT, SOLENOID VALVE.....111
 SEAL KIT, VALVE.....111, 113, 115, 117-118, 123
 SEAL KIT, VALVE, #10.....111
 SEAL KIT,52372,SOLENOID VALVE.....117-118
 SEAL KIT,52907,SIZE 4, 2 WAY.....115, 117-118, 123
 SEAL KIT,62328,SIZE 12,2 PORT.....117-118
 SEAL KIT,62329,SIZE 12, 3 WAY.....118
 SEAL KIT,8K ROTATOR***.....93, 95
 SEAL KIT,AXLE EXTEND CYL,61381.....15
 SEAL KIT,BRAKE,TURNTABLE ROT.....35
 SEAL KIT,CYL,S100/120 (50207).....93
 SEAL KIT,CYL,S65 (63213).....95
 SEAL KIT,DRIVE HUB,TURNTBL.ROT.....35
 SEAL KIT,HYD SWIVEL.....33
 SEAL KIT,MOTOR,LC/KC***.....19
 SEAL KIT,PLAT.LEVEL CYL(61387).....95
 SEAL KIT,REXROTH DO3 VALVE.....117-118
 SEAL KIT,RWD 1700TB***.....21
 SEAL KIT,SAUER-DANFOSS M46***.....127
 SEAL KIT,SOLENOID VALVE.....111
 SEAL KIT,SOLENOID VALVES,HYDAC.....121
 SEAL KIT,SUN "CWCA" CB VALVES*.....77, 79, 85-86
 SEAL KIT,SUN "CWEA" CB VALVES.....79, 85-86
 SEAL KIT,TURNTABL.ROT.MOTOR.....35
 SEAL KIT,VALVE 62356, HYDAC.....121
 SEAL KIT,VALVE 62357, HYDAC.....121
 SEAL KIT,VALVE 62359, HYDAC.....121
 SEAL KIT-P.N.44169,44172,44171.....113, 117-118
 SEAL, CONNECTOR (DT JOYSTICKS).....109
 SEAL, SHAFT, 60511 APU.....43
 SEAL,FILTER ASSY (60334)***.....37-38
 SEAL,INJECTOR,DEUTZ F4L2011.....57-58
 SELF-TAP SCREW, CABLE TRACK.....81, 89
 SENDER,LOW FUEL INDICATOR.....41
 SENDING UNIT,OIL PRESS PERKINS.....69
 SENDING UNIT,OIL PRESS.,DEUTZ*.....57-58
 SENDING UNIT,OIL TEMP SWCH,DTZ.....57-58
 SENDING UNIT,TMP,FRD,GM,PRK704.....71
 SENSOR, TEMP. SENDER, M16X1.5.....63-64
 SENSOR,TILT TURNTABLE(PLSTC).....43
 SENSOR,TILT,PCON (PLASTIC)****.....93, 95
 SEPARATOR,DUAL BATTERY,100A.....37-38
 SEPRT/FLTR,FUEL DSL,15GPH,.30.....71
 SHAFT-OUTPUT (60810).....35
 SHEAVE MOUNT,EXT. CABLE MACHIN.....85-86
 SHEAVE,EXTENSION CABLE.....85-86
 SHEAVE,RETRACT CABLE.....85-86
 SHIM, WEAR PAD,THIN,SB.....91
 SHIM,AXLE PIN.....15
 SHIM,BOOM PIVOT.....77
 SHIM,CBL TRK SPRT WLDT,22 GA.....89
 SHIM,GALVANIZED STEER YOKE.....17
 SHIM,INNER AXLE WEAR PAD.....17, 23
 SHIM,PAD 2.0 X 6.60.....17
 SHIM,PAD,10 X 6.10.....17, 23
 SHIM,PAD,4 X 3.60.....23
 SHIM,PROX SWITCH.....77
 SHIM,SIDE WEAR PAD .059 THK.....89
 SHIM,SIDE WEAR PAD,20X2,14GA**.....83
 SHIM,SIDE WEAR PAD,20X2,16GA**.....83
 SHIM,STEER SENSOR ACTIVATOR.....17
 SHIM,WEAR PAD ENGINE TRAY.....51, 61, 75
 SHIM,WEAR PAD,5 X 1.5,14GA.....83, 89
 SHIM,WEAR PAD,5X 1.5 16GA.....83, 89
 SHIM,WEAR PAD,7 X 3,12GA.....83, 89
 SHIM,WEAR PAD,7 X 3,16GA.....83, 89
 SHOCK MOUNT,LARGE**.....63-64
 SHOCK MOUNT,SMALL.....63-64
 SHROUD,FAN (FIBERGLASS).....73
 SHROUD,FAN,PERKINS PAINTED.....63-64
 SHUTDOWN SOLENOID,12V, DEUTZ.....57-58
 SLEEVE,CONNECTOR,DT JOYSTICKS.....109
 SLIDING MIDRAIL KIT,PTD.....103, 105
 SNAP RING,EXTERNAL,1.25 DIA.**.....93, 95
 SNAP RING,EXTERNAL,1.5 DIA***.....85-86
 SOLENOID CABLE ASSY***.....57-58
 SOLENOID,MOTOR START,60511,APU.....43
 SOLENOID,THROTTLE,ASSY.TROMB.....49, 53, 67, 71
 SOLENOID-STARTR DEUTZF4L1011F*.....57-58
 SPACER,WEAR PAD.....83, 89
 SPACER-DUAL COIL,#10, SCISSORS.....113, 117-118
 SPACER-DUAL COIL,#8***.....113
 SPRING CLIP,1/4-20,.025-.15X.5.....17, 23, 25, 27, 31, 41, 43, 49, 63-64, 67, 79, 81, 83, 97, 103, 105
 SPRING CLIP,3/8-16.....29, 38, 43, 81, 91
 SPRING CLIP,M6-1.0,0.8-4MM PAN.....69, 73
 SPRING WASHER 8 GB93.....38
 SPRING,1.00 DIA X .105.....91
 SPRING,COMP,1" OD,232 LB/IN.....147
 SPRING,COMP,1-1/4"OD 352 LB/IN.....147
 SPRING,JOYSTK CENTR,62390/91.....109
 SPRING,SWITCH CENTERING,75565.....109
 STANDOFF,1/4X1/4 M-F 6-32 S/S.....161
 STARTER, 12V.....57-58
 STARTER, 12V, CUMMINS B3.3T.....49
 STARTER,PERKINS 1104C-44.....71
 Steer and Axle Extend/Retract Manifold.....23
 STEP PLATFORM ENTRY PAINTED.....103, 105
 STRAIN RELIEF, PG13,5.....15, 91
 STRAINER ASSY,#16 O-RING.....43, 134
 STRAINER ASSY,#24 O-RING.....43, 133-134
 STRAP ASSY,FUEL TANK 52".....41
 STRAP, CONDUIT HOLDER 60".....157
 STROBE,FIREBOLT,12-80VDC,AMB**.....143
 STROKE LIMITER COLLAR.....79
 STRUT SUPPORT.....29
 STRUT SUPPORT,TANK SIDE.....29
 STUD, WHEEL, 3/4-16 X 3****.....21
 STUD,FAN SPACR,PERKINS 1004-42.....69
 SUBASSY,STEER SENSOR***.....19
 SUPPORT, RAILING.....153-154
 SUPPORT,COVER (61112,61117).....25, 27
 SUPPORT,ENGINE COVER GREY.....27
 SUPPORT,FUEL TANK COVER.....31
 SUPPORT,HYDRAULIC SWIVEL.....33
 SUPPORT,SENSOR,JOYSTICK.....109
 SWING COVER BRACKET,DEUTZ.....29
 SWING COVER,DEUTZ.....29
 SWING DRIVE ASSEMBLY.....35
 Swing Gate Option, Complete.....157
 SWITCH SHIELD,ROCK JOYSTK75565.....109
 SWITCH TOGGLE ASSY SPDT 2P MNT.....161
 SWITCH, OIL PRESSURE 1.5 BAR.....53
 SWITCH,LIMIT,PROX(OPERATIONAL).....15, 77
 SWITCH,LIMIT,ROLLER NO/NC GOLD.....29, 81, 91
 SWITCH, MEMBRANE, GROUND CONTROL.....45
 SWITCH,MEMBRANE,PLATFORM.....107
 SWITCH,THERMOSTAT 85F OPEN.....161
 SWITCH, TOGGLE, SPDT, 3 POS MOMEN*.....107
 SWIVEL,ELECTRIC 10 CONTACT***.....33
 SWIVEL,HYD/ELEC 5 PORT/10 CONT.....33

T

- T-BOX 2.75 X 4.5 X 2.5.....25, 99, 101
 TAIL PIPE,DEUTZ.....55
 TAIL PIPE,PERKINS 1104.....71
 TANK,HYDRAULIC,55 GALLON.....43
 TEE,BRANCH,520429-8.....129
 TEE,BRASS STREET,.12 NPT.....63-64
 TEE,BULKHEAD,52N9959-8.....129
 TEE,RUN,520428-6.....43, 141
 TEE,RUN,520428-8.....133-134
 TEE,RUN,SWIVEL,520432-6.....141
 TERM,AMP MTE,SOC,22-26 GA BULK.....109
 TERM,DEUTSCH, PIN #12-14.....67
 THERMOSTAT -OIL COOLER (71259).....29
 THERMOSTAT, 180 DEG.F.....67
 THROTTLE LINK, STEEL.....49
 THROTTLE LINKAGE, DSL.....53
 THROTTLE LINKAGE, PERKINS 1104.....71
 THROTTLE SOLENOID ASSY, TROMB.....69
 THROTTLE, LINKAGE.....67
 TIRE & WHEEL ASSY LF-LR.....19
 TIRE & WHEEL ASSY RF-RR.....19
 TIRE,SLD RUBBER,LF,445/65D22.5.....19
 TIRE,SLD RUBBER,RT,445/65D22.5.....19
 TOEBOARD, TRI ENTRY 6', EURO.....153-154
 TOEBOARD,8'TRI ENTRY.....153-154
 TOEBOARD,ENTRY EUROPEAN PNTD**.....99, 101, 153-154
 TOOL HOLDER,PLASTIC.....103, 105
 TOOL TRAY ACCESSORY***.....153-154
 Traction Manifold.....23
 TRAY,HOSE,45.5".....81
 TRAY,HOSE,84".....81
 TRIM MOLDING.....29, 51, 61, 73, 75
 TRIMLOCK, 1/16.....51
 TRIMLOCK,1/4.....25, 27
 TUBE ASSY,FUEL TANK,20.75"LG.....41
 TUBE, AIT SUCTION, DIESEL, T4.....73

TUBE, EXHAUST CUMMINS B3.3T.....49	VALVE, DIFFERENTIAL SENSE, N.C.....121	WASHER, FLAT, M12.....33, 47, 63-64, 67
TUBE, AIR INTAKE 1, CUM. B3.3T.....49	VALVE, DIFFERENTIAL SENSE 110PSI.....113	WASHER, FLAT, M14.....53, 55
TUBE, AIR INTAKE, DEUTZ.....55	VALVE, DIFFERENTIAL SENSE 230PSI.....117-118	WASHER, FLAT, M6, DIN125, ZAB.....71
TUBE, AIR INTAKE, UPPER.....49	VALVE, FLOW CONTROL, 0.1GPM*.....113, 117-118, 123	WASHER, FLAT, M8, YELLOW ZINC.....63-64, 67
TUBE, CAC 1 CUM. B3.3T.....49	VALVE, FLOW CONTROL, 3GPM, HYDAC.....121	WASHER, FLAT, MS, #10, Y.....25, 27, 33, 77, 81, 103, 105, 147
TUBE, EXHAUST CUMMINS T3.....49	VALVE, FLOW DIVIDER/COMBINER.....111	WASHER, FLAT, NYLON.25 X.68 X.03.....71
TUBE, INTAKE, FILTER TO TURBO.....73	VALVE, FLOW REGULATOR, 2.0 GPM*.....113, 115	WASHER, FLAT, NYLON.257X.5X.032.....71
TUBE, INTAKE, CUMMINS T3.....49	VALVE, PROPORTIONAL SOLENOID.....117-118	WASHER, FLAT, SAE 1/4", ZINC.....107
TUBE, INTAKE, PRECLEANER B3.3T.....167	VALVE, RELIEF, 1800 PSI, AXLE EXT.....115	WASHER, FLAT, SAE, 3/8", Y.....103
TUBE, RADIATOR MOUNT.....73	VALVE, RELIEF, 250 PSI.....111	WASHER, FLAT, USS, 1", Y.....51
TUBE, RD, ALUM 1.25 X .083.....159	VALVE, RELIEF, 2600 PSI, SIZE 10.....117-118	WASHER, FLAT, USS, 1/2", Y.....23, 29, 31, 163
TUBE, RD, ALUMINUM, 1.00X.50X.820.....143	VALVE, RELIEF, 3000PSI, GS68PUMP1.....117-118	WASHER, FLAT, USS, 1/4"Y.....17, 19, 23, 25, 27, 29, 31, 37-38, 41, 43, 47, 49, 53, 63-64, 67, 79, 81, 83, 91, 93, 95, 97, 99, 101, 103, 105, 145, 153-154, 157, 159, 163, 165, 167, 169
TUBE, RD, STL 3 X 18GA ALUMINIZD.....67	VALVE, SHUTTLE.....111	WASHER, FLAT, USS, 3/8", Y.....17, 23, 25, 29, 37-38, 41, 43, 47, 49, 53, 63-64, 71, 79, 81, 83, 85-86, 89, 91, 99, 101, 103, 105, 143, 147, 169
TUBE, RD, STL, ALUMIZD, 2.5 X .065.....63-64	VALVE, SHUTTLE, HYDAC.....121	WASHER, FLAT, USS, 5/16", Y.....23, 29, 31, 33, 37-38, 43, 47, 49, 51, 53, 55, 61, 63-64, 75, 77, 81, 91, 97, 143, 151, 153-154, 157, 159
TUBE, SLIDING MIDRAIL, PAINTED....103, 105	VALVE, SOLENOID 2 POS.3 WAY.....111	WASHER, FLAT, USS, 5/8", Y.....51, 61, 75
TUBE, UHMW, 1 X .25.....83	VALVE, SOLENOID 3 POS.4 WAY***.....113	WASHER, FLAT, USS, 7/16", Y.....33, 79
TUBING, VINYL, 1/2" CLEAR.....67	VALVE, SOLENOID, 2POS 3WAY.....118	WASHER, LOCK, #10 PLTD.....15, 17, 85-86, 103, 105
TURNTABLE COVER MOUNT ASSY.....29	VALVE, SOLENOID, 2 POS 2 WAY.....123	WASHER, LOCK, .25.....17, 19, 23, 25, 27, 31, 37-38, 41, 43, 79, 81, 83, 85-86, 91, 93, 95, 103, 105, 107, 153-154, 165
TURNTABLE COVER MOUNT ASSY SYM...29	VALVE, SOLENOID, 2POS3WAY, SUPRB...117-118	WASHER, LOCK, .313.....43, 79
TURNTABLE COVER W/SYM DECAL LT.....25	VALVE, SOLENOID, 3POS 4WAY***.....113, 117-118	WASHER, LOCK, .375.....17, 19, 23, 29, 31, 37-38, 43, 47, 49, 51, 61, 75, 77, 79, 81, 83, 85-86, 89, 91, 93, 95, 97
Turntable Rotation Drive Hub.....33	VALVE, SOLENOID, 3POS4WAY, HYDAC.....121	WASHER, LOCK, .625 PLTD.....51, 61, 75
	VALVE, SOLENOID, NC, POPPET.....118	WASHER, LOCK, .75 PLTD.....77
	VALVE, SOLENOID, PROP. N.C.....117-118	WASHER, LOCK, 0.5".....15, 17, 23, 33, 43, 77, 79, 86, 163
	VALVE-CHECK SIZE 12(SUPRBOOM).....117-118	WASHER, LOCK, M6.....53
	VALVE-CHECK, #12 SAE, 30 PSI.....118	WASHER, LOCK, M8.....63-64, 67
	VALVE-CHECK, #4 SAE, 5 PSI*.....115, 117-118, 123	WASHER, SHIM .0151 THK.....147
	VALVE-FLOW REGULATOR 2 GPM.....111	WASHER, SHIM, .265 X .5 X .030.....67
	VALVE-FLOW REGULATOR 3.0 GPM.....117-118	WASHER, SHIM, 1.01 X 1.63 X.062.....31, 85-86
	VALVE-FLOW REGULATOR, 1.4 GPM*.....113, 115	WASHER, SHIM, 1.27 X 2.13 X .062.....93, 95
	VALVE-RELIEF, 1800 PSI.....117-118	WASHER, THRUST 5 X 1.81 BRONZE.....17
	VITON SEAL KIT, VALVE.....123	WEAR PAD.....83, 89
	VLV, SOL, DO3, REXROTH, 3POS 4 WAY....117-118	WEAR PAD, BOOM REST.....86
		WEAR PAD, 20X 1.5X.875 W/INST**.....83
		WEAR PAD, 3 X 1.5 X.625 W/NUTS.....97
		WEAR PAD, 3.5 X 2 X .625 W/INST.....89
		WEAR PAD, 4X2X.5 W/INSERT**.....31, 83
		WEAR PAD, 5 X 1.5 X .875 W/NUTS.....83, 89
		WEAR PAD, 7 X 3 X.625 W/INSERT.....83, 89
		WEAR PAD, 7 X 3 X.75 W/NUTS.....83, 89
		WEAR PAD, BOOM #2 TOP.....91
		WEAR PAD, ENGINE SUPPORT.....51, 61, 75
		WEAR PAD, EXT.CABLE.....85-86
		WEAR PAD, EXT.CABLE SHEAVE.....85-86
		WEAR PAD, INNER AXLE.....17, 23
		WEAR PAD, INNER AXLE SIDE.....17, 23
		WEAR PAD, LIMIT SWITCH MNT.LONG.....91
		WEAR PAD, LIMIT SWITCH MNT.SHOR.....91
		WEAR PAD, PRI.EXT.CYL.SUPPORT.....79
		WEAR PAD, SHEAVE MOUNT.....85-86
		WEAR PAD, UPPER CABLE TRACK.....89
		WEARPAD, ACTIVATING ROD.....15

U

U-BOLT, 1/2-13 X 8.5.....55, 63-64, 71
 U-BOLT, 3/8 X 1 YZ.....103, 105
 U-BOLT, GUILLotine, 3".....49, 73
 UBOLT, FLATTENED, 1.5DIA X 3/8 UNC.....99, 101, 151, 157, 159, 169
 UNION, BULKHEAD, ORFS, 520601, -4.....129, 141
 UNION, STR. THREAD 20.....133-134
 UNION, STR. THREAD 24***.....43, 133-134

V

V-BELT GUARD, DEUTZ 2011.....57-58
 V-BELT, DEUTZ TD2011LOAI.....57-58
 VALVE - COUNTERBALANCE**.....125
 VALVE ASSY, BLEED***.....93, 125
 VALVE ASSY, DO3, REX, 3POS 4WAY.....117-118
 VALVE BALL, 24 FSAE-24 FSAE***.....43, 133-134
 VALVE COIL 10V.....123
 VALVE, CHECK.....111
 VALVE, COMPENSATOR, 80 PSI.....123
 VALVE, FLOW DIVIDER COMBINER.....111
 VALVE, BALL, 16 MSAE-16 FSAE***.....43, 134
 VALVE, CB, CBBC-LHN@2200*.....15
 VALVE, CHECK, 5 PSI.....111
 VALVE, CHECK, 5 PSI**.....117-118
 VALVE, CHECK, DUAL PILOT, 135 PSI.....115
 VALVE, CHECK, IWP-S/CWP PWR ASSI...117-118, 123
 VALVE, CHECK, PLAT.MANIFLD, HYDAC.....121
 VALVE, CNTERBAL, CBBB-LHN@3000**.....93
 VALVE, COUNTERBAL 1:1,900 PSI.....79
 VALVE, COUNTERBAL.CBBB-LHN@2000..93, 95
 VALVE, COUNTERBAL.CBBB-LHN@3500..77, 95
 VALVE, COUNTERBAL.CBBB-LHN@5000....77
 VALVE, COUNTERBAL.CWCA-LIN@600....79, 85-86
 VALVE, COUNTERBAL.CWCG-LGN@5000..77
 VALVE, COUNTERBAL.CWEK-LIN @600...85-86
 VALVE, COUNTERBALANCE.....15, 95
 VALVE, DIFFERENTIAL SENSE, N.O.....121

W

WASHER, RETAINING, M16.....63-64
 WASHER, .375X1.25X.100.....47
 WASHER, FENDER, .25 X 1.25 X.062.....25, 27
 WASHER, FLAT, 313, HARDENED.....99, 101
 WASHER, FLAT, .375 X 1.5 X .125.....169
 WASHER, FLAT, .375X1.25X.062,ZAG.....73
 WASHER, FLAT, .5 HARDENED.....19, 49, 55, 63-64, 85-86
 WASHER, FLAT, .625 HARDENED.....33, 47, 55, 63-64, 67, 85-86
 WASHER, FLAT, .625 X 2.25 X.15.....47, 55, 63-64, 67
 WASHER, FLAT, .625X2.25X.188,ZAG.....73
 WASHER, FLAT, .75 HARDENED.....86, 89
 WASHER, FLAT, .81 X 2.00 X .38.....33
 WASHER, FLAT, 1.000, HARDENED.....99, 101
 WASHER, FLAT, 1.56 X 2.5 X .061.....15, 47, 55, 63-64, 67, 85-86
 WASHER, FLAT, 3/8X1.5X.06.....147
 WASHER, FLAT, M10, ZINC PLTD.....47, 49, 67, 167

Part Description Index (continued)

WELDMENT, ENGINE MNT, RF.....63-64
 WELDMENT, ENGINE TRAY.....73
 WELDMENT, EXHAUST SUPPORT.....63-64
 WELDMENT, EXHAUST, 804T.....63-64
 WELDMENT, MUFFLER MOUNT.....71
 WELDMENT, PIPE CRADLE.....157
 WELDMENT,AIR BOX,DEUTZ PAINTED.....61
 WELDMENT,AXLE SWITCH.....15
 WELDMENT,BATTERY TRAY.....37-38
 WELDMENT,CABLE RETAINER.....85-86
 WELDMENT,CABLE TRACK SUPPORT.....89
 WELDMENT,CABLE TRAY.....31
 WELDMENT,EXHAUST TUBE.....27
 WELDMENT,EXTENSION BOOM #1.....79
 WELDMENT,EXTENSION BOOM #2.....89
 WELDMENT,GUIDE BRACKET.....19
 WELDMENT,HEADER PIPE, PERKINS.....71
 WELDMENT,INNER CABLETRACK TUBE...79
 WELDMENT,INTAKE EXT.DEUTZ.....29
 WELDMENT,PIPE CRADLE MOUNT.....157
 WELDMENT,PLAT. STOWED SUPPORT....103
 WELDMENT,PLATF.MANFLD.SUPPORT....99,
 101
 WELDMENT,PLATFORM SUPPORT,CE.....147
 WELDMENT,PRECLEANER,DEUTZ.....167
 WELDMENT,RADIATOR MOUNT**.....73
 WELDMENT,RADIATOR MOUNT,CUM.....47
 WELDMENT,REAR ENGINE MOUNT.....55
 WELDMENT,WEAR PAD MOUNTING.....89
 WHEEL COVER,O-RING (FOR 237233).....21
 WHEEL COVER,Z135.....21
 WHEEL DRIVE W/BRAKE,76:1.....21
 WIPER,RUBBER BOOM #3 TOP.....91
 WIRE ASSEMBLY,16/4SJO,9.5"PLUG.....15,
 91
 WIRE ASSEMBLY,16/4SJO,9.5"RECP.....91
 WIRE CABLE,12GA/3 CON.TPE JKT*.....25,
 99, 101
 WIRE LOOM,3/8 NYLON,HI TEMP.....67
 WIRE LOOM,3/8 POLY SLIT.....103, 105
 WLDMNT,CABLE TRACK GUIDE LONG*...81,
 89
 WLDMNT,CABLE TRACK GUIDE,SHORT....89
 WLDMNT,RET.CABLE SHEAV.GARD.LH....85-
 86
 W L D M N T , R E T . C A B L E
 SHEAV.GARD.RH.....85-86
 WLDT, AIR CLEANER/SOLENOID MNT.....49
 WLDT, MUFFLER BRKT, CUMMINS T3.....49
 WLDT, MUFFLER BRKT, PERK T3.....63-64
 WORKLIGHT, 12V, DEUTSCH RECEPT.....154

Y

YOKE ASSEMBLY,SUPERBOOM,NRRW.....17

Z

ZERK,GREASE,1/8 NPT.....17, 23, 33, 43
 ZERK,GREASE,5/16-24,STRAIT.....147

This Page Intentionally Left Blank

Fitting Cross References

Genie PN	Parker PN	Description	Genie PN	Parker PN	Description
12342	6-4 F5OX-S	CONNECTOR,STRAIGHT THREAD TO FLARE TUBE	42794	1 CR-S	ELBOW,90°,MALE PIPE
13757	4 R6X-S	RUN TEE,SWIVEL NUT,ORFS	42795	BV-0839	BALL VALVE
19685	12-10 C5OX-S	ELBOW,90°,STRAIGHT THREAD TO FLARE TUBE	42796	BV-0838	BALL VALVE
22664	12-10 C5OX	ELBOW,90°,STRAIGHT THREAD TO FLARE TUBE	42874	6-8 CLO-S	ELBOW,90°,MALE PIPE TO ORFS
27431	8-12 F5OX-S	CONNECTOR,STRAIGHT THREAD TO FLARE TUBE	42912	13943-6-4	HOSE END,90° FEMALE SWIVEL,JIC
28678	AS-B-33	SLEEVE,NYLON,1.81" ID	42920	BV-0840	BALL VALVE,90°
39871	6 WETX-WLN-S	UNION,90° BULKHEAD W/NUT,FLARE TUBE	42932	AS-B-17	SLEEVE,NYLON,1.22" ID
39872	4 R5OX-S	RUN TEE,STRAIGHT THREAD	42936	10243-2-4	HOSE END,FEMALE PIPE
39873	6 C5OX-S	ELBOW,90°,STRAIGHT THREAD TO FLARE TUBE	42953	1/2 DD-S	ELBOW,90°,FEMALE PIPE
39874	8-6 C5OX-S	ELBOW,90°,STRAIGHT THREAD TO FLARE TUBE	42956	6 WELO-WLNL-S	UNION,90° BULKHEAD W/NUT,ORFS
39875	4-6 C5OX-S	ELBOW,90°,STRAIGHT THREAD TO FLARE TUBE	45349	8 V5OX-S	ELBOW,45°,STRAIGHT THREAD TO FLARE TUBE
39876	6-8 C5OX-S	ELBOW,90°,STRAIGHT THREAD TO FLARE TUBE	45351	4 V5OX-S	ELBOW,45°,STRAIGHT THREAD TO FLARE TUBE
39877	4 F5OX-S	CONNECTOR,STRAIGHT THREAD TO FLARE TUBE	47223	10343-6-6	HOSE END,MALE,JIC
39878	6 F5OX-S	CONNECTOR,STRAIGHT THREAD TO FLARE TUBE	47419	PS690503-6-6	SWIVEL,90°,STRAIGHT THREAD TO 37° FLARE
39879	4-8 F5OX-S	CONNECTOR,STRAIGHT THREAD TO FLARE TUBE	48750	421-4	HOSE,1/4 INCH ID
39880	6-10 F5OX-S	CONNECTOR,STRAIGHT THREAD TO FLARE TUBE	48751	481TC-4	HOSE,1/4 INCH ID
39881	4-6 F5OX-S	CONNECTOR,STRAIGHT THREAD TO FLARE TUBE	48752	482TC-4	HOSE,1/4 INCH ID
39882	4-HP5ON-S	PLUG,STRAIGHT THREAD	48753	451TC-6	HOSE,3/8 INCH ID
39883	8-8 FTX-S	CONNECTOR,MALE PIPE TO FLARE TUBE	48754	482TC-6	HOSE,3/8 INCH ID
39885	269HB 12-12	ELBOW,90°,BEADED HOSE BARB TO MALE PIPE	48755	381-6	HOSE,3/8 INCH ID
39886	431-6	HOSE,3/8 INCH ID	48756	451TC-8	HOSE,1/2 INCH ID
39887	540N-2	HOSE,1/8 INCH ID	48757	482TC-8	HOSE,1/2 INCH ID
39888	801-8	HOSE,1/2 INCH ID	48758	381-8	HOSE,1/2 INCH ID
39889	801-12	HOSE,3/4 INCH ID	48759	381-10	HOSE,5/8 INCH ID
39890	10643-6-6	HOSE END,FEMALE SWIVEL,JIC	48760	451TC-10	HOSE,5/8 INCH ID
39891	13943-6-6	HOSE END,90° FEMALE SWIVEL,JIC	48761	482TC-12	HOSE,3/4 INCH ID
39892	13743-6-6	HOSE END,45° FEMALE SWIVEL,JIC	48762	451TC-12	HOSE,3/4 INCH ID
39894	30682-8-8	HOSE END,FEMALE SWIVEL,JIC	48763	772-12	HOSE,3/4 INCH ID
39895	30682-10-12	HOSE END,FEMALE SWIVEL,JIC	48764	881-16	HOSE,1 INCH ID
42286	8-8 CTX-S	ELBOW,90°,MALE PIPE TO FLARE TUBE	48765	772-16	HOSE,1 INCH ID
42756	8-12 CLO-S	ELBOW,90,MALE PIPE TO ORFS	48766	AS-B-15	SLEEVE,NYLON,1.06" ID
42757	8-12 FLO-S	CONNECTOR,MALE PIPE TO ORFS	48767	AS-B-22	SLEEVE,NYLON,1.42" ID
42758	4 JLO-S	UNION TEE,ORFS	48770	881-8	HOSE,1/2 INCH ID
42759	4-4 FLO-S	CONNECTOR,MALE PIPE TO ORFS			
42760	6-8 FLO-S	CONNECTOR,MALE PIPE TO ORFS			
42761	1J143-6-4	HOSE END,90° FEMALE SWIVEL,SEAL LOK			
42762	1J743-6-4	HOSE END,45° FEMALE SWIVEL,SEAL LOK			
42768	1JO43-4-4	HOSE END,MALE,SEAL LOK			
42776	601-8	HOSE,1/2 INCH ID			
42777	1J743-16-16	HOSE END,45° FEMALE SWIVEL,SEAL LOK			
42786	16 CLO-S	ELBOW,90°,MALE PIPE TO ORFS			
42787	16 R6LO-S	RUN TEE,SWIVEL NUT,ORFS			
42788	16-8 TRLO-BL-S	REDUCER,TUBE END TO SWIVEL,ORFS			
42789	6-6 CLO-S	ELBOW,90°,MALE PIPE TO ORFS			
42790	8-10 V5OLO-S	ELBOW,45°,STRAIGHT THREAD TO ORFS			
42791	3/4 CD-S	ELBOW,90°,MALE TO FEMALE PIPE			
42792	3/4 X 1/2 PTR-S	REDUCER,MALE TO FEMALE PIPE			
42793	1/2 CR-S	ELBOW,90°,MALE PIPE			

Fitting Cross References (Continued)

Genie PN	Parker PN	Description	Genie PN	Parker PN	Description
48771	881-10	HOSE,5/8 INCH ID	48847	13943-12-12	HOSE END,90° FEMALE SWIVEL,JIC
48772	381-4	HOSE,1/4 INCH ID	48848	10543-12-12	HOSE END,MALE,STRAIGHT THREAD
48773	AS-B-13	SLEEVE,NYLON,.86" ID	48849	1JC71-12-12	HOSE END,FEMALE SWIVEL,SEAL LOK
48800	1JC43-4-4	HOSE END,FEMALE SWIVEL,SEAL LOK	48850	1JS71-12-12	HOSE END,FEMALE SWIVEL,SEAL LOK
48801	1J743-4-4	HOSE END,45° FEMALE SWIVEL,SEAL LOK	48851	1J171-12-12	HOSE END,90° FEMALE SWIVEL,SEAL LOK
48802	1J943-4-4	HOSE END,90° FEMALE SWIVEL,SEAL LOK	48852	1J771-12-12	HOSE END,45° FEMALE SWIVEL,SEAL LOK
48804	1JM43-4-4	HOSE END,MALE,SEAL LOK, NO O-RING	48853	1J971-12-12	HOSE END,90° FEMALE SWIVEL,SEAL LOK
48805	10643-4-4	HOSE END,FEMALE SWIVEL,JIC	48854	1JC43-16-16	HOSE END,FEMALE SWIVEL,SEAL LOK
48806	13943-4-4	HOSE END,90° FEMALE SWIVEL,JIC	48855	1J943-16-16	HOSE END,90° FEMALE SWIVEL,SEAL LOK
48807	1JS43-4-4	HOSE END,FEMALE SWIVEL,SEAL LOK	48856	1J171-16-16	HOSE END,90° FEMALE SWIVEL,SEAL LOK
48808	3JC82-8-8	HOSE END,FEMALE SWIVEL,SEAL LOK	48857	1J971-16-16	HOSE END,90° FEMALE SWIVEL,SEAL LOK
48809	3JC82-12-12	HOSE END,FEMALE SWIVEL,SEAL LOK	48859	1JS43-8-4	HOSE END,FEMALE SWIVEL,SEAL LOK
48810	1JC43-6-4	HOSE END,FEMALE SWIVEL,SEAL LOK	48867	PD36BTL	DIAGNOSTIC NIPPLE,SEAL-LOK SWIVEL
48811	1J943-6-4	HOSE END,90° FEMALE SWIVEL,SEAL LOK	48873	6 PNLO-S	PLUG,TUBE END,ORFS
48812	1JC43-6-6	HOSE END,FEMALE SWIVEL,SEAL LOK	48874	6 PNTX-S	PLUG,FLARE TUBE
48813	1J143-6-6	HOSE END,90° FEMALE SWIVEL,SEAL LOK	48875	6 R6LO-S	RUN TEE,SWIVEL NUT,ORFS
48814	1J543-6-6	HOSE END,90° FEMALE SWIVEL,SEAL LOK	48877	4 F5OLO-SW/.025	CONNECTOR,STRAIGHT THREAD TO ORFS, W/.025 ORI
48815	1J743-6-6	HOSE END,45° FEMALE SWIVEL,SEAL LOK	48878	16-12 C5OLO-S	ELBOW,90°,STRAIGHT THREAD TO ORFS
48816	1J943-6-6	HOSE END,90° FEMALE SWIVEL,SEAL LOK	48879	8 C6LO-S	ELBOW,90°,SWIVEL NUT ORFS
48817	1JS43-6-8	HOSE END,FEMALE SWIVEL,SEAL LOK	48880	PD6-285	CAP,DIAGNOSTIC NIPPLE
48818	1J943-8-4	HOSE END,90° FEMALE SWIVEL,SEAL LOK	48881	6 HLO-S	UNION,ORFS
48819	1JC43-8-6	HOSE END,FEMALE SWIVEL,SEAL LOK	48883	8 P5ON-S	PLUG,STRAIGHT THREAD
48820	1J743-8-6	HOSE END,45° FEMALE SWIVEL,SEAL LOK	48884	8M18F87OMLO-S	CONNECTOR,METRIC,STRAIGHT THREAD TO ORFS
48821	1J943-8-6	HOSE END,90° FEMALE SWIVEL,SEAL LOK	48885	4 WGTX-WLN-S	CONNECTOR,BULKHEAD,FEMALE PIPE TO FLARE TUBE
48822	1JC43-8-8	HOSE END,FEMALE SWIVEL,SEAL LOK	48886	4 F5OLO-SW/2MM	CONNECTOR,MACHINED STRAIGHT THREAD TO ORFS
48823	1JS43-8-8	HOSE END,FEMALE SWIVEL,SEAL LOK	48887	4 CTX-S	ELBOW,90°,MALE PIPE TO FLARE TUBE
48824	1J143-8-8	HOSE END,90° FEMALE SWIVEL,SEAL LOK	48888	10-12 V5OLO-S	ELBOW,45°,STRAIGHT THREAD TO ORFS
48825	1J543-8-8	HOSE END,90° FEMALE SWIVEL,SEAL LOK	48890	4 S5OLO-S	BRANCH TEE,STRAIGHT THREAD TO ORFS
48826	1J743-8-8	HOSE END,45° FEMALE SWIVEL,SEAL LOK	48891	4 S6LO-S	BRANCH TEE,SWIVEL NUT TO ORFS
48827	1J943-8-8	HOSE END,90° FEMALE SWIVEL,SEAL LOK			
48828	1JC43-10-8	HOSE END,FEMALE SWIVEL,SEAL LOK			
48829	1JS43-10-8	HOSE END,FEMALE SWIVEL,SEAL LOK			
48830	1J743-10-8	HOSE END,45° FEMALE SWIVEL,SEAL LOK			
48831	1J943-10-8	HOSE END,90° FEMALE SWIVEL,SEAL LOK			
48833	1JC43-10-10	HOSE END,FEMALE SWIVEL,SEAL LOK			
48834	1J943-10-10	HOSE END,90° FEMALE SWIVEL,SEAL LOK			
48835	1JS43-10-12	HOSE END,FEMALE SWIVEL,SEAL LOK			
48836	1JC43-12-8	HOSE END,FEMALE SWIVEL,SEAL LOK			
48837	1JS43-12-8	HOSE END,FEMALE SWIVEL,SEAL LOK			
48838	1J743-12-8	HOSE END,45° FEMALE SWIVEL,SEAL LOK			
48839	1J943-12-8	HOSE END,90° FEMALE SWIVEL,SEAL LOK			
48840	1J943-12-10	HOSE END,90° FEMALE SWIVEL,SEAL LOK			
48841	1JC43-12-12	HOSE END,FEMALE SWIVEL,SEAL LOK			
48842	1JO43-12-12	HOSE END,MALE,SEAL LOK			
48843	1J143-12-12	HOSE END,90° FEMALE SWIVEL,SEAL LOK			
48844	1J543-12-12	HOSE END,90° FEMALE SWIVEL,SEAL LOK			
48845	1J743-12-12	HOSE END,45° FEMALE SWIVEL,SEAL LOK			
48846	1J943-12-12	HOSE END,90° FEMALE SWIVEL,SEAL LOK			

Fitting Cross References (Continued)

Genie PN	Parker PN	Description	Genie PN	Parker PN	Description
48892	6 C6LO-S	ELBOW,90°,SWIVEL NUT ORFS	48938	8 R6LO-S	RUN TEE,SWIVEL NUT,ORFS
48893	6 F5OHAO-S	UNION,STRAIGHT THREAD	48939	8 S6LO-S	BRANCH TEE,SWIVEL NUT TO ORFS
48894	8 WLO-WLNL-S	UNION,BULKHEAD,ORFS	48940	8 WJLO-WLNL-S	RUN TEE, BULKHEAD,ORFS
48895	DT-370-MSMO-5	VALVE,CHECK	48941	8-4 TRLO-S	REDUCER,TUBE END TO SWIVEL,ORFS
48896	6 JLO-S	UNION,TEE,ORFS	48942	8-6 C5OLO-S	ELBOW,90°,STRAIGHT THREAD TO ORFS
48897	DT-750-MSMS-5	VALVE,CHECK	48943	8-6 F5OLO-S	CONNECTOR,STRAIGHT THREAD TO ORFS
48898	DT-750-MOMS-5	VALVE,CHECK	48944	8-8 FLO-S	CONNECTOR,MALE PIPE TO ORFS
48899	DT-620-MOMS-5	VALVE,CHECK	48945	8 FTX-S	CONNECTOR,MALE PIPE TO FLARE TUBE
48900	4-6 F5OLO-SW/.035	CONNECTOR,STRAIGHT THREAD TO ORFS, W/.035 ORI	48946	8-10 F5OLO-S	CONNECTOR,STRAIGHT THREAD TO ORFS
48902	16-1 AOE4G-S	ELBOW,90° LONG,FEMALE PIPE TO STRAIGHT THREAD	48947	8-12 C5OLO-S	ELBOW,90°,STRAIGHT THREAD TO ORFS
48903	1 FF-S	NIPPLE,PIPE	48948	8-12 F5OLO-S	CONNECTOR,STRAIGHT THREAD TO ORFS
48904	4 C5OLO-S	ELBOW,90°,STRAIGHT THREAD TO ORFS	48949	8-16 F5OLO-S	CONNECTOR,STRAIGHT THREAD TO ORFS
48905	4 F5OLO-S	CONNECTOR,STRAIGHT THREAD TO ORFS	48950	10 C5OLO-S	ELBOW,90°,STRAIGHT THREAD TO ORFS
48906	4 R5OLO-S	RUN TEE,STRAIGHT THREAD	48951	10 CC5OLO-S	ELBOW,90° LONG,STRAIGHT THREAD TO ORFS
48907	4 V5OLO-S	ELBOW,45°,STRAIGHT THREAD TO ORFS	48952	10 F5OLO-S	CONNECTOR,STRAIGHT THREAD TO ORFS
48908	4 R6LO-S	RUN TEE,SWIVEL NUT,ORFS	48953	10 R5OLO-S	RUN TEE,STRAIGHT THREAD
48909	4 WJLO-WLNL-S	RUN TEE, BULKHEAD,ORFS	48954	10 S5OLO-S	BRANCH TEE,STRAIGHT THREAD TO ORFS
48910	4 GTX-S W/.030	CONNECTOR,FEMALE PIPE TO FLARE TUBE	48955	10 R6LO-S	RUN TEE,SWIVEL NUT,ORFS
48911	4-6 C5OLO-S	ELBOW,90°,STRAIGHT THREAD TO ORFS	48956	10-4 TRLO-BL-S	REDUCER,TUBE END TO SWIVEL,ORFS
48912	4-6 F5OLO-S	CONNECTOR,STRAIGHT THREAD TO ORFS	48957	10-6 TRLO-BL-S	REDUCER,TUBE END TO SWIVEL,ORFS
48913	4-6 F5OLO-SW/.030	CONNECTOR,STRAIGHT THREAD TO ORFS, W/.030 ORI	48958	10-12 F5OLO-S	CONNECTOR,STRAIGHT THREAD TO ORFS
48914	4-8 F5OLO-S	CONNECTOR,STRAIGHT THREAD TO ORFS	48959	12 C5OLO-S	ELBOW,90°,STRAIGHT THREAD TO ORFS
48915	6 C5OLO-S	ELBOW,90°,STRAIGHT THREAD TO ORFS	48960	12 F5OLO-S	CONNECTOR,STRAIGHT THREAD TO ORFS
48916	6 F5OLO-S	CONNECTOR,STRAIGHT THREAD TO ORFS	48961	12 R5OLO-S	RUN TEE,STRAIGHT THREAD
48917	6 FF5OLO-S	CONNECTOR,LONG,STRAIGHT THREAD TO ORFS	48962	12 S5OLO-S	BRANCH TEE,STRAIGHT THREAD TO ORFS
48918	6 R5OLO-S	RUN TEE,STRAIGHT THREAD	48963	12 V5OLO-S	ELBOW,45°,STRAIGHT THREAD TO ORFS
48919	6 S5OLO-S	BRANCH TEE,STRAIGHT THREAD TO ORFS	48964	12 R6LO-S	RUN TEE,SWIVEL NUT,ORFS
48920	6 V5OLO-S	ELBOW,45°,STRAIGHT THREAD TO ORFS	48965	12 CLO-S	ELBOW,90°,MALE PIPE TO ORFS
48921	6 FLO-S	CONNECTOR,MALE PIPE TO ORFS	48966	12 FLO-S	CONNECTOR,MALE PIPE TO ORFS
48922	6-6 FLO-S	CONNECTOR,MALE PIPE TO ORFS	48967	12 JLO-S	UNION TEE,ORFS
48923	6 P5ON-S	PLUG,STRAIGHT THREAD	48968	12 WLO-WLNL-S	UNION,BULKHEAD,ORFS
48925	6 WELO-S	UNION,90° BULKHEAD,ORFS	48969	12 WJLO-WLNL-S	RUN TEE, BULKHEAD,ORFS
48926	6-4 C5OLO-S	ELBOW,90°,STRAIGHT THREAD TO ORFS	48970	12 WELO-WLNL-S	UNION,90° BULKHEAD W/NUT,ORFS
48927	6-4 F5OLO-S	CONNECTOR,STRAIGHT THREAD TO ORFS			
48928	6-4 V5OLO-S	ELBOW,45°,STRAIGHT THREAD TO ORFS			
48929	6-8 C5OLO-S	ELBOW,90°,STRAIGHT THREAD TO ORFS			
48930	6-8 F5OLO-S	CONNECTOR,STRAIGHT THREAD TO ORFS			
48931	6-10 F5OLO-S	CONNECTOR,STRAIGHT THREAD TO ORFS			
48932	8 C5OLO-S	ELBOW,90°,STRAIGHT THREAD TO ORFS			
48933	8 F5OLO-S	CONNECTOR,STRAIGHT THREAD TO ORFS			
48934	8 FF5OLO-S	CONNECTOR,LONG,STRAIGHT THREAD TO ORFS			
48935	8 R5OLO-S	RUN TEE,STRAIGHT THREAD			
48936	8 S5OLO-S	BRANCH TEE,STRAIGHT THREAD TO ORFS			
48937	8 V5OLO-S	ELBOW,45°,STRAIGHT THREAD TO ORFS			

Fitting Cross References (Continued)

Genie PN	Parker PN	Description	Genie PN	Parker PN	Description
48971	12 G5G5JG5-S	TEE,FEMALE STRAIGHT THREAD	49612	PKT02586	O-RING KIT (ORFS FITTINGS)
48972	12 XHL6-S	ADAPTER, 37° MALE TO SWIVEL ORFS	49613	PKT06276	PLUG AND CAP KIT-SERVICE,ORFS
48973	12-1/2 F5OG-S	ADAPTER,FEMALE PIPE TO STRAIGHT THREAD	49728	10143-12-12	HOSE END, MALE PIPE
48974	12-10 C5OLO-S	ELBOW,90°,STRAIGHT THREAD TO ORFS	49729	16-1 F5OG-S	ADAPTER,FEMALE PIPE TO STRAIGHT THREAD
48975	12-10 F5OLO-S	CONNECTOR,STRAIGHT THREAD TO ORFS	49814	12-8 FLO-S	CONNECTOR,MALE PIPE TO ORFS
48976	12-16 C5OLO-S	ELBOW,90°,STRAIGHT THREAD TO ORFS	49829	DT-500-MOMF-5	VALVE,CHECK
48977	12-16 F5OLO-S	CONNECTOR,STRAIGHT THREAD TO ORFS	49831	881-12	HOSE,3/4 INCH ID
48978	12-16 V5OLO-S	ELBOW,45°,STRAIGHT THREAD TO ORFS	49834	16 JLO-S	UNION TEE,ORFS
48980	12-16 FLO-S	CONNECTOR,MALE PIPE TO ORFS	49838	12-8 TRLO-BL-S	REDUCER,TUBE END TO SWIVEL,ORFS
48983	16 C5OLO-S	ELBOW,90°,STRAIGHT THREAD TO ORFS	49840	8 JLO-S	UNION TEE,ORFS
48984	16 F5OLO-S	CONNECTOR,STRAIGHT THREAD TO ORFS	49844	10-8 TRLO-BL-S	REDUCER,TUBE END TO SWIVEL,ORFS
48985	16 V5OLO-S	ELBOW,45°,STRAIGHT THREAD TO ORFS	49854	8 P5ON-S	PLUG,STRAIGHT THREAD
48986	16 FLO-S	CONNECTOR,MALE PIPE TO ORFS	49855	1JC43-16-12	HOSE END,FEMALE SWIVEL,SEAL LOK
48988	16 CD45-S	ELBOW,45°,MALE TO FEMALE PIPE	49859	4 P5ON-S	PLUG,STRAIGHT THREAD
48989	12 CD45-S	ELBOW,45°,MALE TO FEMALE PIPE	49861	4 FF5OLO-S	CONNECTOR,LONG,STRAIGHT THREAD TO ORFS
48990	8 CD45-S	ELBOW,45°,MALE TO FEMALE PIPE	49867	12-3/4 F5OG-S	ADAPTER,FEMALE PIPE TO STRAIGHT THREAD
48991	16-12 FLO-S	CONNECTOR,MALE PIPE TO ORFS	51152	6 R6X-S	RUN TEE,SWIVEL NUT,ORFS
48992	16-12 V5OLO-S	ELBOW,45°,STRAIGHT THREAD TO ORFS	51153	6-4 TRTX-S	REDUCER,TUBE END TO SWIVEL,ORFS
48993	XV501-12	BALL VALVE	51154	4-4 GTX	CONNECTOR,FEMALE PIPE TO FLARE TUBE
48994	XV501-16	BALL VALVE	51264	881-12	HOSE,3/4 INCH ID
48995	XV510P-12	BALL VALVE	51265	8 JLO-S	UNION TEE,ORFS
48996	XV510P-16	BALL VALVE	51508	6 BTX-S	NUT,FLARE TUBE
48997	PD341	DIAGNOSTIC NIPPLE, STRAIGHT THREAD	51580	12-8 TRLO-BL-S	TUBE END REDUCER,ORFS
48998	PD 361	DIAGNOSTIC NIPPLE, STRAIGHT THREAD	51628	6 R6X-S	RUN TEE,SWIVEL NUT,ORFS
48999	DT-500-MOMS-5	VALVE,CHECK	51735	3/8 HHP	PLUG,PIPE THREAD
49201	10 V5OLO-S	ELBOW,45°,STRAIGHT THREAD TO ORFS	51803	1J943-6-8	HOSE END,90° FEMALE SWIVEL,SEAL LOK
49202	1JC43-12-10	HOSE END,FEMALE SWIVEL,SEAL LOK	53023	125HBL-5-4	FITTING,HOSE BARB TO MALE PIPE
49203	10-8 V5OLO-S	ELBOW,45°,STRAIGHT THREAD TO ORFS	53497	PKT02585	O-RING KIT
49205	6 F5OHAO-S	UNION,STRAIGHT THREAD	53499	1JC71-16-16	HOSE END,FEMALE SWIVEL,SEAL LOK
49207	PD34BTL	DIAGNOSTIC NIPPLE,SEAL-LOK SWIVEL	53500	3-904	O-RING,STRAIGHT THREAD,-4
49209	8M18F870MX-S	CONNECTOR,METRIC,STRAIGHT THREAD TO FLARE TUBE	53501	3-906	O-RING,STRAIGHT THREAD,-6
49212	8 WGTX-WLN-S	CONNECTOR,BULKHEAD,FEMALE PIPE TO FLARE TUBE	53502	3-908	O-RING,STRAIGHT THREAD,-8
49213	30682-8-8	HOSE END,FEMALE SWIVEL,JIC	53503	3-910	O-RING,STRAIGHT THREAD,-10
49216	831-8	HOSE,1/2 INCH ID			
49217	33982-8-8	HOSE END,90° FEMALE SWIVEL,JIC			
49219	PS-B-35	SLEEVE,NYLON,2.19" ID			
49418	4-6 V5OLO-S	ELBOW,45°,STRAIGHT THREAD TO ORFS			
49511	DT370-MOMS-5	VALVE,CHECK			
49512	1 DD-S	ELBOW,90°,FEMALE PIPE			
49513	1 FF-S	NIPPLE,PIPE			
49514	10 HP5ON-S	PLUG,STRAIGHT THREAD			
49515	12-16 CLO-S	ELBOW,90°,MALE PIPE TO ORFS			
49517	6 HP5ON-S	PLUG,STRAIGHT THREAD			
49519	16-12 F5OLO-S	CONNECTOR,STRAIGHT THREAD TO ORFS			
49520	4 VTX-S	ELBOW,45°,MALE PIPE TO FLARE TUBE			
49530	16 C6LO-S	ELBOW,90°,SWIVEL NUT ORFS			

Fitting Cross References (Continued)

Genie PN	Parker PN	Description	Genie PN	Parker PN	Description
53535	3-912	O-RING, STRAIGHT THREAD, -12	61083	24 F5OLO-S	CONNECTOR, STRAIGHT THREAD TO ORFS
53536	4-PNLO-S	PLUG, TUBE END, ORFS	61086	20 R5OLO-S	RUN TEE, STRAIGHT THREAD
53537	6 PNLO-S	PLUG, TUBE END, ORFS	61090	24-20 F5OLO-S	CONNECTOR, STRAIGHT THREAD TO ORFS
53538	8 PNLO-S	PLUG, TUBE END, ORFS	61091	1J943 24-24	HOSE END, 90° FEMALE SWIVEL, SEAL LOK
53539	10 PNLO-S	PLUG, TUBE END, ORFS	61093	1J978-12-12	HOSE END, 90° FEMALE SWIVEL, JIC
53540	12 PNLO-S	PLUG, TUBE END, ORFS	61095	1JS43-20-16	HOSE END, FEMALE SWIVEL, SEAL LOK
53946	129HB-5-4	FITTING, 90° HOSE BARB TO MALE PIPE	61100	811-24	HOSE, 1 1/2 INCH ID
53951	8-1/4F50G-S	ADAPTER, FEMALE PIPE TO STRAIGHT THREAD	61130	1JS43-24-24	HOSE END, FEMALE SWIVEL, SEAL LOK
53980	6 S6LO-S	BRANCH TEE, SWIVEL NUT TO ORFS	61131	1JS78 12-12	HOSE END, FEMALE SWIVEL, SEAL LOK
54132	4 C6LO-S	ELBOW, 90°, SWIVEL NUT ORFS	61132	1J778-12-12	HOSE END, 45° FEMALE SWIVEL, JIC
54135	11343-16-16	HOSE END, MALE SWIVEL, PIPE	61152	139HB-6-4	ELBOW, 45°, BARB TO MALE PIPE
54283	8-10 C5OLO-S	ELBOW, 90°, STRAIGHT THREAD TO ORFS	61251	BV-0750	BALL VALVE
54428	8M18C870MLO-S	ELBOW, 90° METRIC, STRAIGHT THREAD TO ORFS	61259	4 CC5OLO-S	ELBOW, 90° LONG, STRAIGHT THREAD TO ORFS
54803	FS-F-16-10	SLEEVE, FIRE, .96" ID	61260	20-12 TRLO-BL	REDUCER, TUBE END TO SWIVEL, ORFS
54954	10143-2-4	HOSE END, MALE PIPE	61262	12 C6LO-S	ELBOW, 90°, SWIVEL NUT ORFS
55190	3/8 HP-S	PLUG, PIPE THREAD	61263	20 F5OHAO-S	UNION, STRAIGHT THREAD
55448	8 HLO-S	UNION, ORFS	61264	6-10 C5OLO-S	ELBOW, 90°, STRAIGHT THREAD TO ORFS
55839	6 F65OX-S	CONNECTOR, STRAIGHT THREAD TO 37° SWIVEL	61265	6 WNLO-WLNL-S	UNION, BULKHEAD 45°, ORFS
55968	10 C5OX-S	ELBOW, 90°, STRAIGHT THREAD TO FLARE TUBE	61268	4 WNLO-WLNL-S	UNION, BULKHEAD 45°, ORFS
56003	6 CC5OLO-S	ELBOW, 90° LONG, STRAIGHT THREAD TO ORFS	61269	4 WLO-WLNL-S	UNION, BULKHEAD, ORFS
56166	BV-0837	BALL VALVE, 90°	61272	12 AOEL6	ELBOW, 90°, STRAIGHT THREAD TO ORFS SWIVEL
56188	10143-8-6	HOSE END, MALE PIPE	61316	482TC-16	HOSE, 1 INCH ID
56233	2-011	O-RING, ORFS, -4	61321	6 JLO-S	UNION TEE, ORFS
56234	2-012	O-RING, ORFS, -6	61327	782-12	HOSE, 3/4 INCH ID
56235	2-014	O-RING, ORFS, -8	61328	881-24	HOSE, 1 1/2 INCH ID
56236	2-016	O-RING, ORFS, -10	61336	11943-20-24	HOSE END, 90° FLANGE HEAD
56237	2-018	O-RING, ORFS, -12	61345	12 WJLO-WLNL-S	RUN TEE, BULKHEAD, ORFS
56238	2-021	O-RING, ORFS, -16	61346	8 WNLO-WLNL-S 4	UNION, BULKHEAD 45°, ORFS
56352	6 WLNL-S	LOCKNUT, BULKHEAD	61569	33782-8-8	HOSE END, 45° FEMALE SWIVEL, JIC
56353	3J782-12-12	HOSE END, 45° FEMALE SWIVEL, SEAL LOK	61610	12 FF5OLO-S	CONNECTOR, LONG, STRAIGHT THREAD TO ORFS
56354	3J982-12-12	HOSE END, 90° FEMALE SWIVEL, SEAL LOK	61742	1/8 X 1.5 FFF	NIPPLE, PIPE
56604	10-8 F5OLO-S	CONNECTOR, STRAIGHT THREAD TO ORFS	63426	8 PNTX-S	PLUG, FLARE TUBE
56639	3JC82-10-10	HOSE END, FEMALE SWIVEL, SEAL LOK			
56640	3J982-10-10	HOSE END, 90° FEMALE SWIVEL, SEAL LOK			
56655	3JC82-8-10	HOSE END, FEMALE SWIVEL, SEAL LOK			
56676	10-8 C5OLO-S	ELBOW, 90°, STRAIGHT THREAD TO ORFS			
56776	471TC-6	HOSE, 3/8 INCH ID			
56777	471TC-8	HOSE, 1/2 INCH ID			
56789	811-16	HOSE, 1 INCH ID			
57884	3/8 FF	NIPPLE, PIPE			
59335	6 FNL-S	CAP, TUBE END			
59342	4 FNL-S	CAP, TUBE END			
59371	8 HP5ON-S	PLUG, STRAIGHT THREAD			
60653	BV-0751	BALL VALVE			
60806	125HB-3-4	FITTING, HOSE BARB TO MALE PIPE			
61064	5-1/4 F50G-S	ADAPTER, FEMALE PIPE TO STRAIGHT THREAD			
61079	4 WELO-WLNL-S	UNION, 90° BULKHEAD W/NUT, ORFS			
61080	6 WLO-WLNL-S	UNION, BULKHEAD, ORFS			

Fitting Cross References (Continued)

Genie PN	Parker PN	Description	Genie PN	Parker PN	Description
64271	4 WLO-WLNL-S	UNION,BULKHEAD,ORFS	75631	801-6	HOSE,3/8 INCH ID
64272	6 WLO-WLNL-S	UNION,BULKHEAD,ORFS	75654	20 F5OLO-S	CONNECTOR,STRAIGHT THREAD TO ORFS
65776	8 F65OL-S	CONNECTOR,STRAIGHT THREAD TO ORFS SWIVEL	75655	1J943-20-20	HOSE END,90° FEMALE SWIVEL,SEAL LOK
65880	6001012	O-RING KIT	75656	881-20	HOSE,1-1/4 INCH ID
66154	6 WTX-WLNS	UNION,BULKHEAD,FLARE TUBE	75971	8 F5OHAO-S	UNION,STRAIGHT THREAD
66155	6 WETX-S	UNION,BULKHEAD 90°,FLARE TUBE	77307	1JB43-8-8	HOSE END,BULKHEAD,SEAL LOK
66156	6 WLN-S	BULKHEAD LOCKNUT	77309	8 WLNL-S	BULKHEAD LOCKNUT
66389	6-8 F5OX-S	CONNECTOR,STRAIGHT THREAD TO FLARE TUBE	77379	8M18C87OMX-S	ELBOW,90° METRIC,STRAIGHT THREAD TO FLARE TUBE
66392	6 R5OX-S	RUN TEE,STRAIGHT THREAD	77703	3J982-8-8	HOSE END,90° FEMALE SWIVEL,SEAL LOK
66396	811-12	HOSE,3/4 INCH ID	77711	801-10	HOSE,5/8 INCH ID
66829	H3174PP	CLAMP,TUBE	77758	12 WNLO-WLNL-S	UNION,BULKHEAD 45°,ORFS
67217	4 KLO-S	UNION,CROSS,ORFS	78091	6 C6X-S	ELBOW,90°,SWIVEL NUT TO FLARE TUBE
67339	10-6 F5OX-S	CONNECTOR,STRAIGHT THREAD TO FLARE TUBE	78684	30582-8-8B	HOSE END,PUSH LOK,MALE
67357	13943-8-6	HOSE END,90° FEMALE SWIVEL,JIC	78852	549-2	HOSE,1/8 INCH ID
67358	10 HP5ON-S	PLUG,STRAIGHT THREAD	78855	10657-4-2	HOSE END,FEMALE SWIVEL,JIC
67371	12 S6LO-S	BRANCH TEE,SWIVEL NUT TO ORFS	79138	PS-B-37	SLEEVE,NYLON,2.38" ID
67498	4 FNL-S	CAP, TUBE END	79476	1JS43-6-8	HOSE END,FEMALE SWIVEL,SEAL LOK
67906	DC-370-F0F0-5	VALVE,CHECK	79847	12-3/4 A0EG-S	ELBOW,90°,STRAIGHT THREAD TO FEMALE PIPE
69316	8 FLO-S	CONNECTOR,MALE PIPE TO ORFS	80044	8 CLO-S	ELBOW,90°,MALE PIPE TO ORFS
69333	H3174PP	CLAMP,HYDRAULIC HOSE	80502	8 F5OX-S	CONNECTOR,STRAIGHT THREAD TO FLARE TUBE
69503	4 F65OX-S	CONNECTOR,STRAIGHT THREAD TO 37° SWIVEL	80503	8 C5OX-S	ELBOW,90°,STRAIGHT THREAD TO FLARE TUBE
69775	8 FNL-S	CAP, TUBE END	81010	AS-B-27	SLEEVE,NYLON,1.63" ID
71038	1/4X1/4F3HG-S	ADAPTER,CONVERSION	83052	821-6	HOSE,3/8 INCH ID
71196	12-8 F5OLO-S	CONNECTOR,STRAIGHT THREAD TO ORFS	83053	821-8	HOSE,1/2 INCH ID
71383	1/4 CD45-S	ELBOW,45°,MALE TO FEMALE PIPE	83054	821-12	HOSE,3/4 INCH ID
72270	12FNL-S	CAP, TUBE END	83055	30682-6-6	HOSE END,FEMALE SWIVEL,JIC
73436	60C-4	SLEEVE,COMPRESSION	83056	30682-12-12	HOSE END,FEMALE SWIVEL,JIC
73437	61C-4	NUT,COMPRESSION	83057	33782-6-6	HOSE END,45° FEMALE SWIVEL,JIC
73438	33482-4-4B	HOSE END,PUSH LOK,MALE	83058	33982-6-6	HOSE END,90° FEMALE SWIVEL,JIC
73767	1CD-S	ELBOW,90°,MALE TO FEMALE PIPE	83060	33982-12-12	HOSE END,90° FEMALE SWIVEL,JIC
73768	20-16-F5OG5-S	ADAPTER,FEMALE PIPE TO STRAIGHT THREAD	83063	13743-4-4	HOSE END,45° FEMALE SWIVEL,JIC
73769	16-20 F5OLO-S	CONNECTOR,STRAIGHT THREAD TO ORFS			
74660	6-8 F42EDMLO-S	CONNECTOR,MALE BSPP TO ORFS			
74661	8-8 F42EDMLO-S	CONNECTOR,MALE BSPP TO ORFS			
75007	4 FLO-S	CONNECTOR,MALE PIPE TO ORFS			
75008	1/8 HP-S	PLUG,PIPE THREAD			
75014	1/2 HP-S	PLUG,PIPE THREAD			
75042	8 WELO-WLNL-S	UNION,90° BULKHEAD W/NUT,ORFS			
75043	3/4 FF-S	NIPPLE,PIPE			
75254	24 F5OHAO-S	UNION,STRAIGHT THREAD			
75255	12 F5OHAO-S	UNION,STRAIGHT THREAD			
75256	XV506P-24	BALL VALVE			
75574	4 WLNL-S	BULKHEAD LOCKNUT			
75612	8 WJLO-WLNL-S	RUN TEE, BULKHEAD,ORFS			
75613	12-8 F5OG5-S	ADAPTER,FEMALE PIPE TO STRAIGHT THREAD			
75614	8 CC5OLO-S	ELBOW,90° LONG,STRAIGHT THREAD TO ORFS			
75628	1JB43-4-4	HOSE END,BULKHEAD,SEAL LOK			

Fitting Cross References (Continued)

Genie PN	Parker PN	Description	Genie PN	Parker PN	Description
83064	13743-8-8	HOSE END,45° FEMALE SWIVEL,JIC	89449	6 WJLO-WLNL-S	RUN TEE, BULKHEAD,ORFS
83065	13743-12-12	HOSE END,45° FEMALE SWIVEL,JIC	89489	4 WJMLO-S	BRANCH TEE,BULKHEAD,ORFS
83066	13943-8-8	HOSE END,90° FEMALE SWIVEL,JIC	89551	1JB43-6-6	HOSE END,BULKHEAD,SEAL LOK
83067	14143-6-6	HOSE END,90° FEMALE SWIVEL,JIC	89552	1JB43-8-8	HOSE END,BULKHEAD,SEAL LOK
83068	14143-8-8	HOSE END,90° FEMALE SWIVEL,JIC	89593	20 C5OLO-S	ELBOW,90°,STRAIGHT THREAD TO ORFS
83069	14143-12-12	HOSE END,90° FEMALE SWIVEL,JIC	94161	8-8 CLO-S	ELBOW,90°,MALE PIPE TO ORFS
83070	772-8	HOSE,1/2 INCH ID	94358	351TC-12	HOSE,3/4 INCH ID
83071	10671-8-8	HOSE END,FEMALE SWIVEL,JIC	94418	20 FLO-S	CONNECTOR,MALE PIPE TO ORFS
83072	10671-12-12	HOSE END,FEMALE SWIVEL,JIC	96358	12 TX-S	SLEEVE,FLARE TUBE
83073	13771-8-8	HOSE END,45° FEMALE SWIVEL,JIC	96359	12 BTX-S	NUT,FLARE TUBE
83074	13771-12-12	HOSE END,45° FEMALE SWIVEL,JIC	96397	8 F5OX-S	CONNECTOR,STRAIGHT THREAD TO FLARE TUBE
83075	13971-8-8	HOSE END,90° FEMALE SWIVEL,JIC	96398	12-8 F5OX-S	CONNECTOR,STRAIGHT THREAD TO FLARE TUBE
83076	13971-12-12	HOSE END,90° FEMALE SWIVEL,JIC	96402	10343-6-6	HOSE END,MALE,JIC
83077	14171-8-8	HOSE END,90° FEMALE SWIVEL,JIC	96407	30382-6-6B	HOSE END,MALE,JIC
83078	14171-12-12	HOSE END,90° FEMALE SWIVEL,JIC			
83080	13943-16-16	HOSE END,90° FEMALE SWIVEL,JIC			
83103	10671-16-12	HOSE END,FEMALE SWIVEL,JIC			
83104	10671-10-12	HOSE END,FEMALE SWIVEL,JIC			
83112	1JC71-8-8	HOSE END,FEMALE SWIVEL,SEAL LOK			
83113	1JS71-16-12	HOSE END,FEMALE SWIVEL,SEAL LOK			
83114	1JS71-10-12	HOSE END,FEMALE SWIVEL,SEAL LOK			
83115	1J971-8-8	HOSE END,90° FEMALE SWIVEL,SEAL LOK			
83116	1J171-8-8	HOSE END,90° FEMALE SWIVEL,SEAL LOK			
83117	1J771-8-8	HOSE END,45° FEMALE SWIVEL,SEAL LOK			
83127	1J543-6-8	HOSE END,90° FEMALE SWIVEL,JIC			
83128	1JC43-6-8	HOSE END,FEMALE SWIVEL,SEAL LOK			
87033	12-6 TRLO-S	REDUCER,TUBE END TO SWIVEL,ORFS			
87034	3J782-8-8	HOSE END,45° FEMALE SWIVEL,SEAL LOK			
87172	12 HP5ON-S	PLUG,STRAIGHT THREAD			
87185	8 WNLO-WLNL-S	UNION,BULKHEAD 45°,ORFS			
87246	4 C6X-S	ELBOW,90°,SWIVEL NUT TO FLARE TUBE			
87679	6 LHP-S	FLANGE SEAL FITTING, MALE			
87681	6PLS N0702	BONDED SEAL			
88100	SR88100	ADAPTER,OIL DRAIN,GM 3.0L			
88311	1JS43-20-20	HOSE END,FEMALE SWIVEL,SEAL LOK			
88353	20 V5OLO-S	ELBOW,45°,STRAIGHT THREAD TO ORFS			
88474	10081-20	Crimp Shell, 1.25"			
88475	1988-20-24	HOSE END,90° FLANGE HEAD			
88476	JS88-24-24	HOSE END,FEMALE SWIVEL,SEAL LOK			
88477	1JC88-20-20	HOSE END,FEMALE SWIVEL,SEAL LOK			
88478	811-20	HOSE,11/4 INCH ID			
88936	20-16 F5OLO-S	CONNECTOR,STRAIGHT THREAD TO ORFS			
88937	20-16 FLO-S	CONNECTOR,MALE PIPE TO ORFS			
88938	1JC88-16-16	HOSE END,FEMALE SWIVEL,SEAL LOK			
88939	1J988-16-16	HOSE END,90° FEMALE SWIVEL,ORFS			
88940	811-16	HOSE,1 INCH ID			
88944	1J988-20-20	HOSE END,90° FEMALE SWIVEL,ORFS			
89403	16 VLO-S	ELBOW,45°,MALE PIPE TO ORFS			

California Proposition 65

Warning

The exhaust from this product contains chemicals known to the State of California to cause cancer, birth defects or other reproductive harm.

Genie North America

Phone 425.881.1800
Toll Free USA and Canada
800.536.1800
Fax 425.883.3475

Genie Australia Pty Ltd.

Phone +61 7 3375 1660
Fax +61 7 3375 1002

Genie China

Phone +86 21 53852570
Fax +86 21 53852569

Genie Malaysia

Phone +65 98 480 775
Fax +65 67 533 544

Genie Japan

Phone +81 3 3453 6082
Fax +81 3 3453 6083

Genie Korea

Phone +82 25 587 267
Fax +82 25 583 910

Genie Brasil

Phone +55 11 41 665 755
Fax +55 11 41 665 754

Genie Holland

Phone +31 183 581 102
Fax +31 183 581 566

Genie Scandinavia

Phone +46 31 575100
Fax +46 31 579020

Genie France

Phone +33 (0)2 37 26 09 99
Fax +33 (0)2 37 26 09 98

Genie Iberica

Phone +34 93 579 5042
Fax +34 93 579 5059

Genie Germany

Phone +49 (0)4202 88520
Fax +49 (0)4202 8852-20

Genie U.K.

Phone +44 (0)1476 584333
Fax +44 (0)1476 584334

Genie Mexico City

Phone +52 55 5666 5242
Fax +52 55 5666 3241

Distributed By:

Parts Manual

S-120

S-125

*from SN S12011D-101
from SN S12511D-101*

Part No.
226125

Rev A13

Genie
A TEREX BRAND